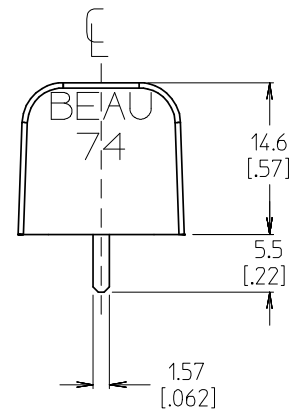
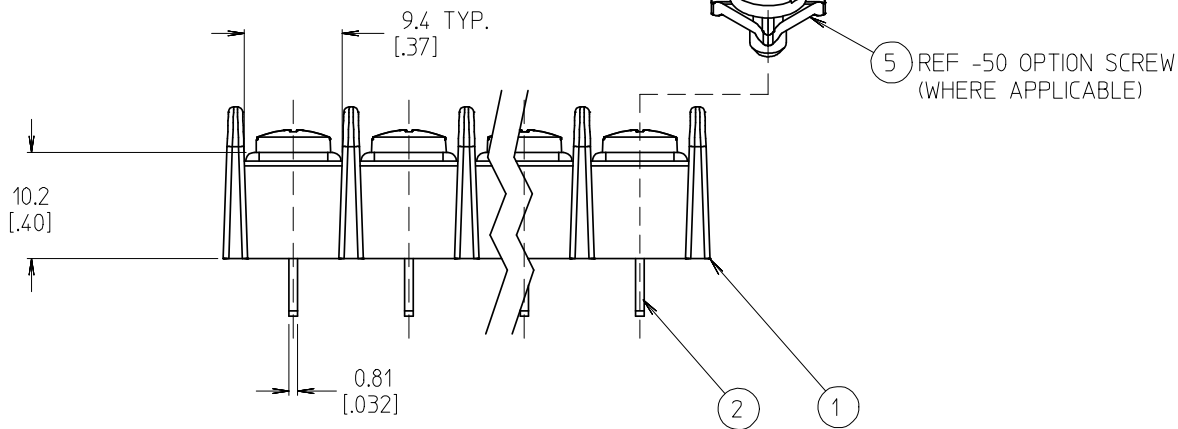


4 CIRCUIT SHOWN



NOTES:

- 1. MATERIAL: SEE TABLE
- 2. FINISHES: SEE TABLE
- 3. PRODUCT SPECIFICATION: NOT REQUIRED
- 4. INCH DIMENSIONS ARE SHOWN IN BRACKETS [XXX].
- 5. "XX" REFERS TO THE QUANTITY OF CIRCUITS.
- 6. ROHS COMPLIANT.

ITEM	QTY	DESCRIPTION	MATERIAL	FINISH
5	XX	SCREW W/SQ. WASHER, #6-32X.250, PAN HD, PHIL-SLOT (-50 OPTION)	STEEL	ZN, CLEAR CHROMATE
4	XX	SCREW, #6-32X.250, BIND. HD, PHIL-SLOT (-49 OPTION)	BRASS	NICKEL PLATE
3	XX	SCREW, #6-32X.250, BIND. HD, PHIL-SLOT (STANDARD)	STEEL	ZN, CLEAR CHROMATE
2	XX	TERMINAL, PC	BRASS	TIN PLATE
1	1	INSULATOR, SINGLE ROW, MO (-C)	THERMOPLASTIC	BLACK

INITIAL RELEASE  
 EC NO: WNA2008-0035  
 DRWN: JENCINAS 2008/02/12  
 CHKD: CYORK 2008/02/12  
 APPR: JMACNEIL 2008/02/12

QUALITY SYMBOLS  
 ▽=0  
 ▽=0

GENERAL TOLERANCES (UNLESS SPECIFIED)	
	MM/IN
4 PLACES	± --- ± ---
3 PLACES	± --- ± .005
2 PLACES	± 0.13 ± .01
1 PLACE	± 0.3 ± ---
ANGULAR ± 2 °	
DRAFT WHERE APPLICABLE MUST REMAIN WITHIN DIMENSIONS	

DIMENSION STYLE	
MM/IN	
DRAWN BY	DATE
EHILE	2006/03/22
CHECKED BY	DATE
RDEROSS	2006/03/22
APPROVED BY	DATE
RDEROSS	2006/03/22
MATERIAL NO.	
SEE CHART	
SIZE	B

SCALE	DESIGN UNITS	THIRD ANGLE PROJECTION
2:1	INCH	☉
TITLE		
11.11MM [.438] SR BTS LOW PROFILE ASSY		
MOLEX INCORPORATED		
DOCUMENT NO.		SHEET NO.
SD-38740-004		1 OF 2
THIS DRAWING CONTAINS INFORMATION THAT IS PROPRIETARY TO MOLEX INCORPORATED AND SHOULD NOT BE USED WITHOUT WRITTEN PERMISSION		

NO. OF CIRCUITS "XX"	DIM. "A"	DIM. "B"	ASSEMBLY MATERIAL NO. (-C OPTION)	ASSEMBLY MATERIAL NO. (-C-49 OPTION)	ASSEMBLY MATERIAL NO. (-C-50 OPTION)
02	24.5 [ .97]	11.11 [ .438]	387406302	387406902	387407502
03	35.7 [1.40]	22.23 [ .875]	387406303	387406903	387407503
04	46.8 [1.84]	33.34 [1.313]	387406304	387406904	387407504
05	57.9 [2.28]	44.45 [1.750]	387406305	387406905	387407505
06	69.0 [2.72]	55.56 [2.188]	387406306	387406906	387407506
07	80.1 [3.15]	66.68 [2.625]	387406307	387406907	387407507
08	91.2 [3.59]	77.79 [3.063]	387406308	387406908	387407508
09	102.3 [4.03]	88.90 [3.500]	387406309	387406909	387407509
10	113.4 [4.47]	100.01 [3.938]	387406310	387406910	387407510
11	124.6 [4.90]	111.13 [4.375]	387406311	387406911	387407511
12	135.7 [5.34]	122.24 [4.813]	387406312	387406912	387407512
13	146.8 [5.78]	133.35 [5.250]	387406313	387406913	387407513
14	157.9 [6.22]	144.46 [5.688]	387406314	387406914	387407514
15	169.0 [6.65]	155.58 [6.125]	387406315	387406915	387407515
16	180.1 [7.09]	166.69 [6.563]	387406316	387406916	387407516
17	191.2 [7.53]	177.80 [7.000]	387406317	387406917	387407517
18	202.3 [7.97]	188.91 [7.438]	387406318	387406918	387407518
19	213.5 [8.40]	200.03 [7.875]	387406319	387406919	387407519
20	224.6 [8.84]	211.14 [8.313]	387406320	387406920	387407520
21	235.7 [9.28]	222.25 [8.750]	387406321	387406921	387407521
22	246.8 [9.72]	233.36 [9.188]	387406322	387406922	387407522
23	257.9 [10.15]	244.48 [9.625]	387406323	387406923	387407523
24	269.0 [10.59]	255.59 [10.063]	387406324	387406924	387407524
25	280.1 [11.03]	266.70 [10.500]	387406325	387406925	387407525
26	291.2 [11.47]	277.81 [10.938]	387406326	387406926	387407526
27	302.4 [11.90]	288.93 [11.375]	387406327	387406927	387407527
28	313.5 [12.34]	300.04 [11.813]	387406328	387406928	387407528
29	324.6 [12.78]	311.15 [12.250]	387406329	387406929	387407529
30	335.7 [13.22]	322.26 [12.688]	387406330	387406930	387407530

SEE SHEET ONE EC NO: WNA2008-0035 DRWN: ENCINAS 2008/02/12 CHKD: CYORK 2008/02/12 APPR: MACNEIL 2008/02/12 REV DESCRIPTION	QUALITY SYMBOLS	GENERAL TOLERANCES (UNLESS SPECIFIED)	DIMENSION STYLE	SCALE	DESIGN UNITS	THIRD ANGLE PROJECTION
	▼=0 ▽=0	mm INCH 4 PLACES ± --- ± --- 3 PLACES ± --- ± .005 2 PLACES ± 0.13 ± .01 1 PLACE ± 0.3 ± --- ANGULAR ± 2 °	MM/IN	2:1	INCH	
		DRAFT WHERE APPLICABLE MUST REMAIN WITHIN DIMENSIONS	DRAWN BY DATE EHILE 2006/03/22 CHECKED BY DATE RDEROSS 2006/03/22 APPROVED BY DATE RDEROSS 2006/03/22	TITLE 11.11MM [.438] SR BTS LOW PROFILE ASSY		
	A		MATERIAL NO. SEE CHART SIZE B THIS DRAWING CONTAINS INFORMATION THAT IS PROPRIETARY TO MOLEX INCORPORATED AND SHOULD NOT BE USED WITHOUT WRITTEN PERMISSION	MOLEX INCORPORATED DOCUMENT NO. SD-38740-004		SHEET NO. 2 OF 2