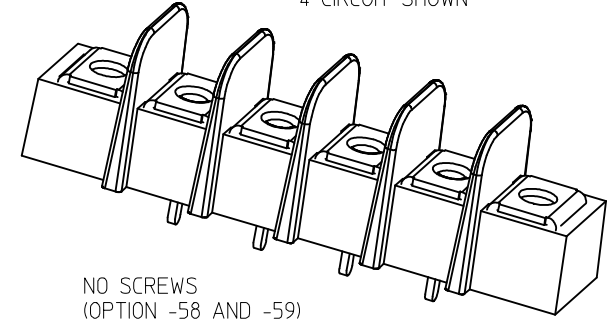




WIRE READY SPEC. (OPTION -47)
(FOR OPTIONAL SCREW -50
AND STANDARD SCREW.)



4 CIRCUIT SHOWN



NO SCREWS
(OPTION -58 AND -59)
4 CIRCUIT SHOWN

NOTES:

1. MATERIAL: SEE TABLE
2. FINISHES: SEE TABLE
3. INCH DIMENSIONS ARE IN BRACKETS [XXX].
4. REFER TO SD-38120-001 FOR IMPRINTING OPTIONS 10A AND 11A.
5. REFER TO SD-38120-007 FOR IMPRINTING OPTION 12A.
6. *XX* REFERS TO THE QUANTITY OF CIRCUITS.
7. ALL COMPONENTS ARE ROHS COMPLIANT.

| | | | | |
|------|------|----------------------------------|-----------------|--------------------|
| 10 | XX | #6-32 WRDY W/WASH SCR (-47,-50) | STEEL | ZN, CLEAR CHROMATE |
| 9 | XX | #6-32 PH/SLOT WRDY SCR (OPT -47) | STEEL | ZN, CLEAR CHROMATE |
| 8 | XX | #6-32 BHD, PH-SL SCREW (OPT -56) | STAINLESS STEEL | PASSIVATE |
| 7 | XX | #6-32 PH/SL W/WASH SCR (-49,-50) | BRASS | NICKEL |
| 6 | XX | #6-32 PH/SL W/WASH SCR (OPT -50) | STEEL | ZN, CLEAR CHROMATE |
| 5 | XX | #6-32 PH/SLOTTED SCREW (OPT -49) | BRASS | NICKEL |
| 4 | XX | #6-32 PH/SLOTTED SCREW (STD) | STEEL | ZN, CLEAR CHROMATE |
| 3 | 2 | MOUNTING PLATE | BRASS | NICKEL |
| 2 | XX | TERMINAL | BRASS | BRT.TIN/CU |
| 1 | 1 | INSULATOR, SINGLE ROW | PBT | BLACK |
| ITEM | QTY. | DESCRIPTION | MATERIAL | FINISH |

ADD 387291663 SEE SHT 2
EC NO: IFC2015-0783
DRAWN BY: DRWHRSTONE 2014/10/27
CHKD BY: RUPERT 10/29/2014
APPR: BWOODMAN 2014/11/02

QUALITY SYMBOLS
▽=0
▽=0

GENERAL TOLERANCES (UNLESS SPECIFIED)

| | | |
|---------------|--------|--------|
| | mm | INCH |
| 4 PLACES | ± --- | ± --- |
| 3 PLACES | ± --- | ± .005 |
| 2 PLACES | ± 0.13 | ± .01 |
| 1 PLACE | ± 0.3 | ± --- |
| ANGULAR ± 2 ° | | |

DRAFT WHERE APPLICABLE
MUST REMAIN
WITHIN DIMENSIONS

| | | | |
|--------------|--|------------|--|
| DRAWN BY | | DATE | |
| W. HOWARD | | 2003/10/16 | |
| CHECKED BY | | DATE | |
| R. KEMP | | 2003/10/16 | |
| APPROVED BY | | DATE | |
| P. WALTZ | | 2003/10/16 | |
| MATERIAL NO. | | | |

| | | | |
|--|-------|--------------|------------------------|
| DIMENSION STYLE | SCALE | DESIGN UNITS | THIRD ANGLE PROJECTION |
| MM/IN | 2:1 | INCH | ☉ □ |
| TITLE 9.53MM [.375"] SR BTS, PC ASSY | | | |
| MOLEX INCORPORATED | | | SHEET NO. |
| DOCUMENT NO. SD-38720-001 | | | 1 OF 2 |

SEE SHT. 2

THIS DRAWING CONTAINS INFORMATION THAT IS PROPRIETARY TO MOLEX INCORPORATED AND SHOULD NOT BE USED WITHOUT WRITTEN PERMISSION

| | 10 | 9 | 8 | 7 | 6 | 5 | 4 | 3 | 2 | 1 | |
|--|-------------------------|------------------------|------------------------|------------------------|------------------------|------------------------|------------------------|------------------------|----------------------------|------------------------|----------------------------------|
| | NUMBER OF CIRCUITS *XX* | MATERIAL NO. (OPT 12A) | MATERIAL NO. (OPT 11A) | MATERIAL NO. (OPT 10A) | MATERIAL NO. (OPT -59) | MATERIAL NO. (OPT -58) | MATERIAL NO. (OPT -56) | MATERIAL NO. (OPT -50) | MATERIAL NO. (OPT -49,-50) | MATERIAL NO. (OPT -49) | MATERIAL NO. (OPT -47,-50) (STD) |
| | 01 | | | | | | 38729-0659 | | | | 38720-6201 |
| | 02 | | | 38729-1039 | | 38729-0750 | 38729-0791 | 38720-7402 | 38729-1381 | 38720-6802 | 38720-6202 |
| | 03 | 38729-0872 | 38729-0025 | 38729-0014 | | | 38729-0117 | 38720-7403 | | 38720-6803 | 38720-8603 |
| | 04 | | | 38729-0940 | 38729-0945 | | 38729-0839 | 38720-7404 | 38729-1159 | 38720-6804 | 38720-6204 |
| | 05 | 38729-0256 | | 38729-0346 | | | 38729-1253 | 38720-7405 | 38729-1382 | 38720-6805 | 38720-6205 |
| | 06 | | | | 38729-0400 | 38729-0386 | 38729-0980 | 38720-7406 | 38729-1383 | 38720-6806 | 38720-6206 |
| | 07 | | | 38729-0423 | 38729-0407 | 38729-0435 | 38729-0440 | 38720-7407 | | 38720-6807 | 38720-6207 |
| | 08 | 38729-0497 | | | | 38729-0508 | 38729-0532 | 38720-7408 | | 38720-6808 | 38720-6208 |
| | 09 | | | 38729-0548 | | 38729-0560 | | 38720-7409 | | 38720-6809 | 38720-6209 |
| | 10 | | | 38729-1011 | 38729-0598 | 38729-0598 | 38729-1663 (D) | 38720-7410 | | 38720-6810 | 38720-6210 |
| | 11 | | | | | | 38729-1252 | 38720-7411 | | | 38720-6211 |
| | 12 | | | 38729-0720 | | | 38729-0735 | 38720-7412 | | 38720-6812 | 38720-6212 |
| | 13 | | | | | 38729-0809 | | 38720-7413 | | | 38720-6213 |
| | 14 | | | | | 38729-0004 | | 38720-7414 | | 38720-6814 | 38720-6214 |
| | 15 | | | | | | | | | | 38720-6215 |
| | 16 | | | | | | | | | | 38720-6216 |
| | 17 | | | | | | | | | | 38720-6217 |
| | 18 | | | | | | | | | | 38720-6218 |
| | 19 | | | | | | | | | | 38720-6219 |
| | 20 | | | | | | | | | | 38720-6220 |
| | 21 | | | | | | | | | | 38720-6221 |
| | 22 | | | | | | | | | | 38720-6222 |
| | 23 | | | | | | | | | | 38720-6223 |
| | 24 | | | | | | | | | | 38720-6224 |
| | 25 | | | | | | | | | | 38720-6225 |
| | 26 | | | | | | | | | | 38720-6226 |

| NUMBER OF CIRCUITS *XX* | DIM. *A* | | DIM. *B* | | DIM. *C* | | DIM. *D* | |
|-------------------------|----------|---------|----------|---------|----------|---------|----------|---------|
| 01 | 30.7 | [1.21] | - | - | 19.1 | [.75] | 11.6 | [.46] |
| 02 | 40.1 | [1.58] | 9.53 | [.375] | 28.6 | [1.13] | 21.1 | [.83] |
| 03 | 49.7 | [1.96] | 19.05 | [.750] | 38.1 | [1.50] | 30.6 | [1.21] |
| 04 | 59.2 | [2.33] | 28.58 | [1.125] | 47.6 | [1.88] | 40.1 | [1.58] |
| 05 | 68.7 | [2.71] | 38.10 | [1.500] | 57.2 | [2.25] | 49.7 | [1.96] |
| 06 | 78.2 | [3.08] | 47.63 | [1.875] | 66.7 | [2.63] | 59.2 | [2.33] |
| 07 | 87.8 | [3.46] | 57.15 | [2.250] | 76.2 | [3.00] | 68.7 | [2.71] |
| 08 | 97.3 | [3.83] | 66.68 | [2.625] | 85.7 | [3.38] | 78.2 | [3.08] |
| 09 | 106.8 | [4.21] | 76.20 | [3.000] | 95.3 | [3.75] | 87.8 | [3.46] |
| 10 | 116.3 | [4.58] | 85.73 | [3.375] | 104.8 | [4.13] | 97.3 | [3.83] |
| 11 | 125.9 | [4.96] | 95.25 | [3.750] | 114.3 | [4.50] | 106.8 | [4.21] |
| 12 | 135.4 | [5.33] | 104.78 | [4.125] | 123.8 | [4.88] | 116.3 | [4.58] |
| 13 | 144.9 | [5.71] | 114.30 | [4.500] | 133.4 | [5.25] | 125.9 | [4.96] |
| 14 | 154.4 | [6.08] | 123.83 | [4.875] | 142.9 | [5.63] | 135.4 | [5.33] |
| 15 | 164.0 | [6.46] | 133.35 | [5.250] | 152.4 | [6.00] | 144.9 | [5.71] |
| 16 | 173.5 | [6.83] | 142.88 | [5.625] | 161.9 | [6.38] | 154.4 | [6.08] |
| 17 | 183.0 | [7.21] | 152.40 | [6.000] | 171.5 | [6.75] | 164.0 | [6.46] |
| 18 | 192.5 | [7.58] | 161.93 | [6.375] | 181.0 | [7.13] | 173.5 | [7.21] |
| 19 | 202.1 | [7.96] | 171.45 | [6.750] | 190.5 | [7.50] | 183.0 | [7.58] |
| 20 | 211.6 | [8.33] | 180.98 | [7.125] | 200.0 | [7.88] | 192.5 | [7.96] |
| 21 | 221.1 | [8.71] | 190.50 | [7.500] | 209.6 | [8.25] | 202.1 | [8.33] |
| 22 | 230.6 | [9.08] | 200.03 | [7.875] | 219.1 | [8.63] | 211.6 | [8.71] |
| 23 | 240.2 | [9.46] | 209.55 | [8.250] | 228.6 | [9.00] | 221.1 | [9.08] |
| 24 | 249.7 | [9.83] | 219.08 | [8.625] | 238.1 | [9.38] | 230.6 | [9.46] |
| 25 | 259.2 | [10.21] | 228.60 | [9.000] | 247.7 | [9.75] | 240.2 | [9.83] |
| 26 | 268.7 | [10.58] | 238.13 | [9.375] | 257.2 | [10.13] | 249.7 | [10.58] |



PTH PATTERN

| | | | | | | |
|--|--------------------------|---|---|--------------------------------|--------------|---|
| ADD 387291663 (10P) EC NO: IFC2015-0703 D DRAWRHSTONE 2014/10/27 CHKDB RUPERT 10/29/2014 APPR: BWOODMAN 2014/11/02 REV DESCRIPTION | QUALITY SYMBOLS | GENERAL TOLERANCES (UNLESS SPECIFIED) | DIMENSION STYLE | SCALE | DESIGN UNITS | THIRD ANGLE PROJECTION |
| | $\nabla=0$ $\nabla=0$ | mm INCH 4 PLACES ± --- ± --- 3 PLACES ± --- ± .005 2 PLACES ± 0.13 ± .01 1 PLACE ± 0.3 ± --- ANGULAR ± 2 ° | MM/IN | 2:1 | INCH | <input checked="" type="checkbox"/> THIRD ANGLE <input type="checkbox"/> FIRST ANGLE |
| | | DRAFT WHERE APPLICABLE MUST REMAIN WITHIN DIMENSIONS | DRAWN BY DATE | TITLE | | |
| | | SEE CHART | W. HOWARD 2003/10/16 | 9.53MM [.375"] SR BTS, PC ASSY | | |
| | | CHECKED BY DATE | MATERIAL NO. | | | |
| | | R. KEMP 2003/10/16 | 38729-1663 | | | |
| | | APPROVED BY DATE | DOCUMENT NO. | | | |
| | | P. WALTZ 2003/10/16 | SD-38720-001 | | | |
| | | | SHEET NO. | | | |
| | | | 2 OF 2 | | | |
| | | | THIS DRAWING CONTAINS INFORMATION THAT IS PROPRIETARY TO MOLEX INCORPORATED AND SHOULD NOT BE USED WITHOUT WRITTEN PERMISSION | | | |