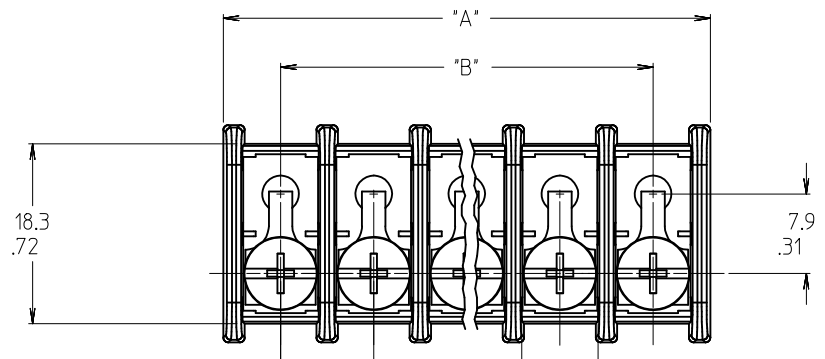
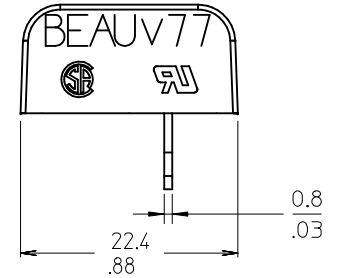
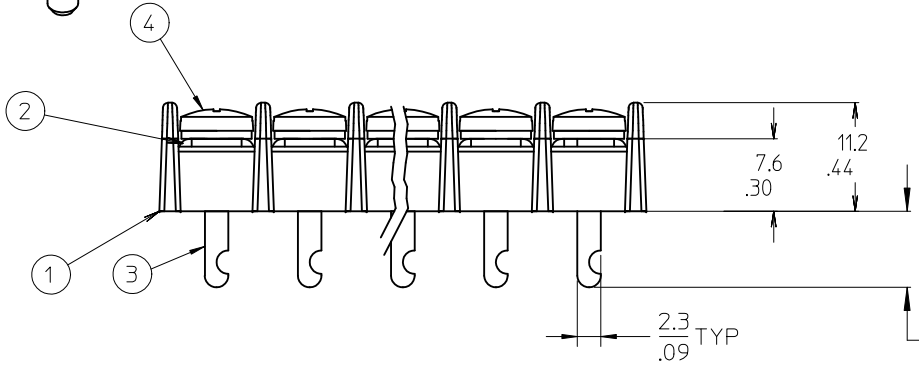
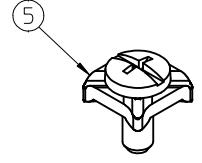


NO. OF CIRCUITS "XX"	DIM. "A"		DIM. "B"		ASSEMBLY MATERIAL NO. (STANDARD)	ASSEMBLY MATERIAL NO. (-50 OPTION)
2	21.3	.84	9.53	.375	387790231	387790371
3	30.8	1.21	19.05	.750		387790140
4	40.3	1.59	28.58	1.125		387790250
5	49.8	1.96	38.10	1.500		387790031
6	59.4	2.34	47.63	1.875	387790004	387790369
7	68.9	2.71	57.15	2.250	387790052	
8	78.4	3.09	66.68	2.625		387790142
9	87.9	3.46	76.20	3.000		387790224
10	97.5	3.84	85.73	3.375	387790091	



REF -50 OPTION SCREW (WHERE APPLICABLE)



- NOTES:
1. MATERIAL: SEE TABLE
 2. FINISHES: SEE TABLE
 3. DIMENSION SHOWN IN MM/INCH.
 4. "XX" REFERS TO THE QUANTITY OF CIRCUITS.
 5. ASSEMBLY IS ROHS COMPLIANT.

ITEM	QTY	DESCRIPTION	MATERIAL	FINISH
5	XX	SCREW, #6-32X.250 PAN HD, PHIL-SLOT W/WSHR (-50 OPTION)	STEEL	ZN, CLEAR CHROMATE
4	XX	SCREW, #6-32X.250, BGHD PHIL-SLOT (STANDARD)	STEEL	ZN, CLEAR CHROMATE
3	XX	TERMINAL, SOLDER Y	BRASS	TIN PLATE
2	XX	TERMINAL PLATE	BRASS	NICKEL PLATE
1	1	INSULATOR, NO MTG.	PBT	BLACK

UPDATE TERM. TAIL DIM/TOL. EC NO: WNA2012-0134 DRAWN: JENC INAS 2011/10/11 CHKD: JMACNEIL 2011/10/11 APPR: JMACNEIL 2011/10/17	QUALITY SYMBOLS ▽=0 ▽=0
--	-------------------------------

GENERAL TOLERANCES (UNLESS SPECIFIED)
4 PLACES ± --- ± ---
3 PLACES ± --- ± .005
2 PLACES ± 0.13 ± .01
1 PLACE ± 0.3 ± ---
ANGULAR ± 2 °
DRAFT WHERE APPLICABLE MUST REMAIN WITHIN DIMENSIONS

DIMENSION STYLE MM/IN	DRAWN BY C. YORK	DATE 2006/10/25
SCALE 2:1	CHECKED BY J. MACNEIL	DATE 2006/10/25
DESIGN UNITS INCH	APPROVED BY J. MACNEIL	DATE 2006/10/25
THIRD ANGLE PROJECTION	MATERIAL NO.	SEE CHART

TITLE
9.53/.375 DOUBLE ROW LOW PROFILE BTS ASSY, NO MTG.

MOLEX INCORPORATED

DOCUMENT NO. SD-38779-006

SHEET NO. 1 OF 1

THIS DRAWING CONTAINS INFORMATION THAT IS PROPRIETARY TO MOLEX INCORPORATED AND SHOULD NOT BE USED WITHOUT WRITTEN PERMISSION