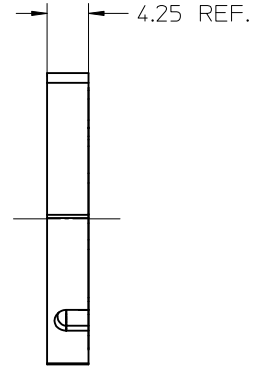
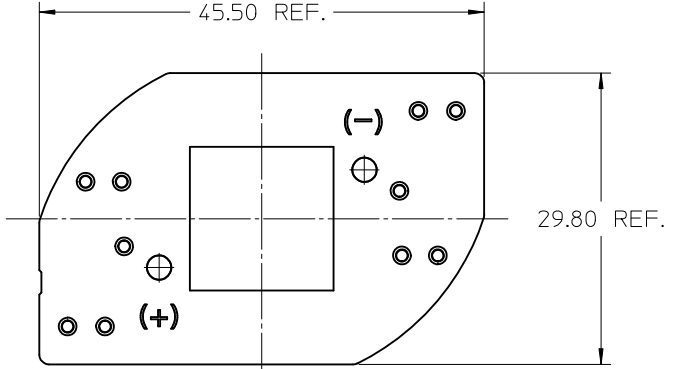
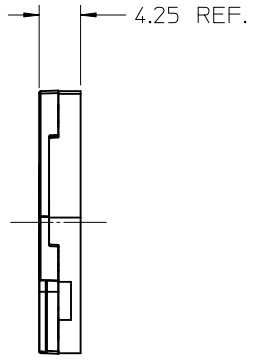
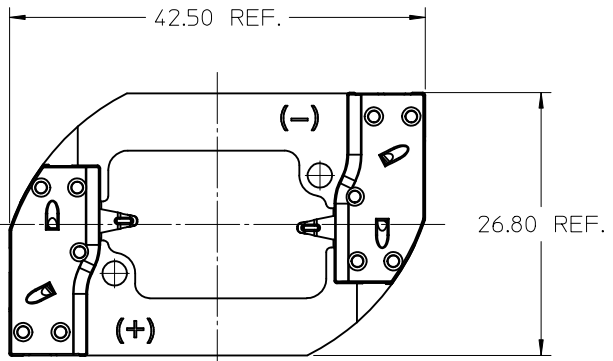
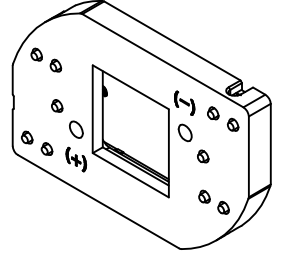
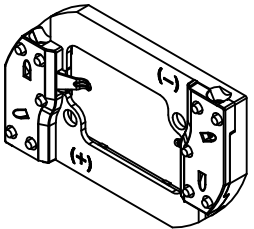


PART NUMBER	DESCRIPTION
180250-0000	ILLUMITEX 500 LED HOLDER WITHOUT COVER
180250-0001	ILLUMITEX 500 LED HOLDER WITH COVER

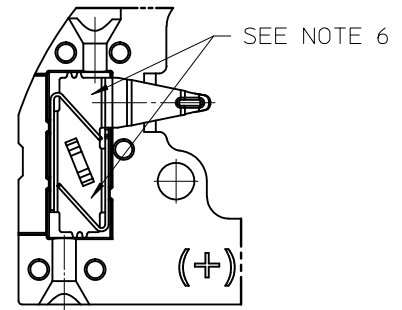
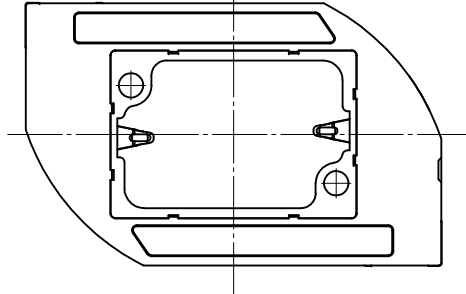
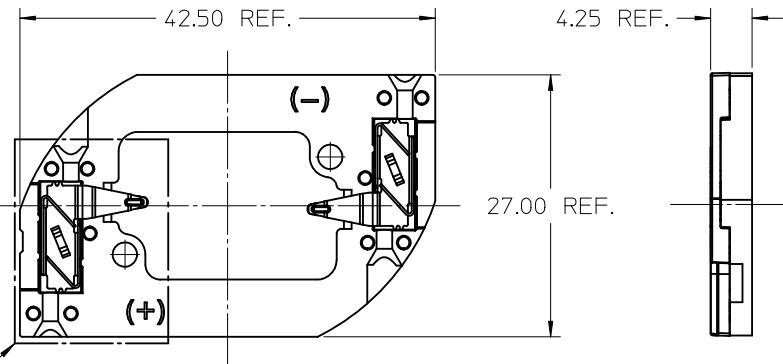


- NOTES:
- MATERIALS:
 - CAPS: NATURAL COLOR PA66 NYLON 25% GF UL94V-0
 - HOUSING: NATURAL COLOR PA66 NYLON 25% GF UL94V-0
 - COVER: NATURAL COLOR PA66 NYLON 25% GF UL94V-0
 - WIRE TRAP TERMINALS: COPPER ALLOY
 - FINISH: GOLD OVER NICKEL
 - THIS PRODUCT IS ELV AND ROHS COMPLIANT
 - APPLICABLE WIRE GAUGE - 20 AWG
 - SOLID WIRE IS RECOMMENDED
 - IF STRANDED WIRE IS USED, PRE-TINNED IS RECOMMENDED
 - 1 cm STRIP LENGTH IS RECOMMENDED
 - MOUNT HOLDER USING M2 SCREWS (2), 0.8 NEWTON METERS MAX TORQUE
 - FOR POTTED APPLICATIONS, THE ENCAPSULANT MUST NOT ENTER THE WIRE TRAP OR CONTACT BEAM CAVITIES. ENCAPSULANT IN THESE AREAS MAY PREVENT ELECTRICAL CONTACT
 - UL RECOGNIZED TO UL496
 - c-UL RECOGNIZED TO CSA-C22.2 NO. 43 (2008)
 - RATED 600V
 - UL FILE NUMBER E345583, UL-OLFB2

ENTER DESCRIPTION EC NO: SSL2012-0041 DRAWN BY: JAKLIC CHKD: APPR: DMCGOWAN DATE: 2011/11/01 DESCRIPTION: 2011/11/02	QUALITY SYMBOLS	GENERAL TOLERANCES (UNLESS SPECIFIED)	DIMENSION STYLE	SCALE	DESIGN UNITS	THIRD ANGLE PROJECTION
	$\nabla F/0$ $\nabla E/0$ $\nabla F/0$	mm	MM ONLY	2:1	METRIC	ILLUMITEX 500 LED HOLDER
		INCH				
		4 PLACES ± --- ± --- 3 PLACES ± --- ± --- 2 PLACES ± 0.13 ± --- 1 PLACE ± 0.25 ± --- ANGULAR ± 1/2°		DRAWN BY: FJAKLIC DATE: 2011/06/08 CHECKED BY: DATE: APPROVED BY: DMCGOWAN DATE: 2011/06/21 MATERIAL NO.: DOCUMENT NO.: SD-180250-001	TITLE: MOLEX INCORPORATED SHEET NO.: 1 OF 2	
DRAFT WHERE APPLICABLE MUST REMAIN WITHIN DIMENSIONS	SIZE B THIS DRAWING CONTAINS INFORMATION THAT IS PROPRIETARY TO MOLEX INCORPORATED AND SHOULD NOT BE USED WITHOUT WRITTEN PERMISSION					

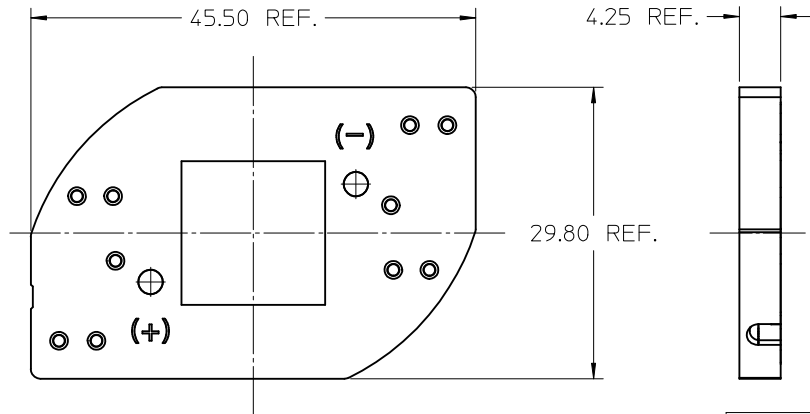
WIRE TRAP CAPS REMOVED FROM FRONT VIEW FOR CLARITY

LED HOLDER PART NUMBER 180250-0000

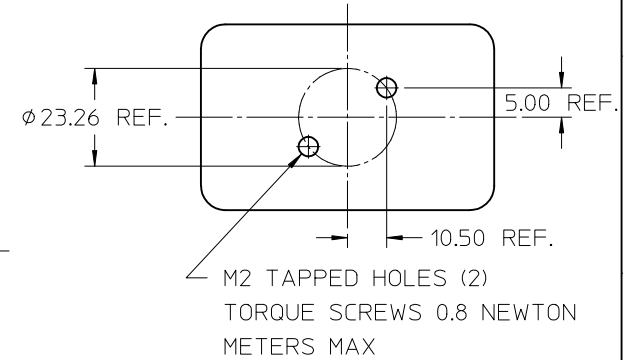
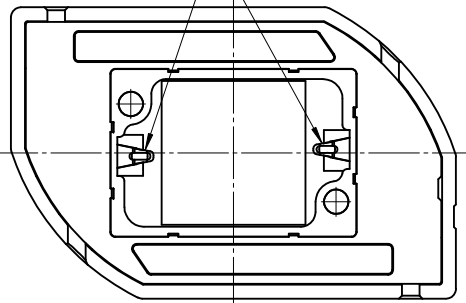


VIEW OF TWO-WAY WIRE TRAP
WIRE TRAPS ACCOMODATE 20 GAUGE WIRE

DETAIL SCALE 3:1



LED HOLDER WITH COVER PART NUMBER 180250-0001



RECOMMENDED MOUNTING DIMENSIONS (NTS)

ENTER DESCRIPTION EC NO: SSL2012-0041 DRAWN: FJAKLIC 2011/11/01 CHKD: APPR: DMCGOWAN 2011/11/02 REV: A1	QUALITY SYMBOLS $\nabla = 0$ $\nabla = 0$ $\nabla = 0$	GENERAL TOLERANCES (UNLESS SPECIFIED)		DIMENSION STYLE MM ONLY		SCALE 2:1	DESIGN UNITS METRIC	THIRD ANGLE PROJECTION			
		4 PLACES \pm --- \pm ---	3 PLACES \pm --- \pm ---	mm	INCH	DRAWN BY FJAKLIC	DATE 2011/06/08	TITLE ILLUMITEX 500 LED HOLDER			
		2 PLACES ± 0.13 \pm ---	1 PLACE ± 0.25 \pm ---	ANGULAR $\pm 1/2^\circ$		CHECKED BY DATE	APPROVED BY DMCGOWAN	DATE 2011/06/21	MOLEX INCORPORATED		
		DRAFT WHERE APPLICABLE MUST REMAIN WITHIN DIMENSIONS		SEE CHART		MATERIAL NO.	DOCUMENT NO. SD-180250-001	SHEET NO. 2 OF 2		THIS DRAWING CONTAINS INFORMATION THAT IS PROPRIETARY TO MOLEX INCORPORATED AND SHOULD NOT BE USED WITHOUT WRITTEN PERMISSION	