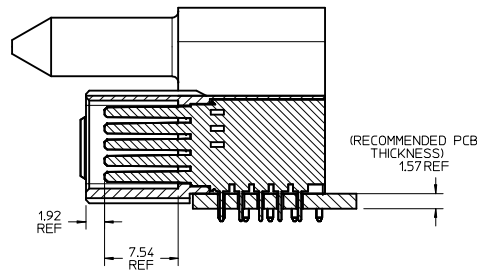
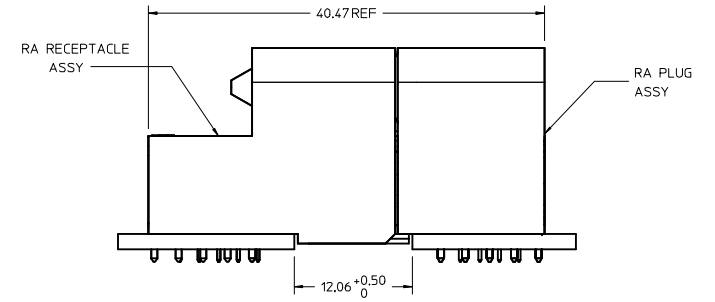


P/N: 46437-1241



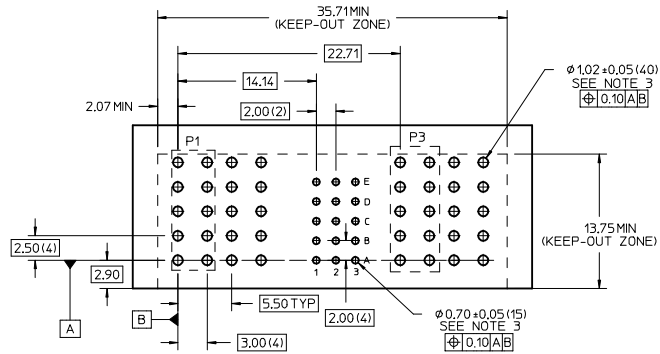
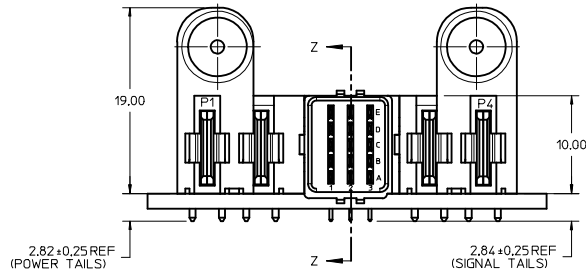
SECTION Z-Z



MATING PROFILE

NOTES:

1. MATERIAL:
 - HOUSINGS: LCP UL94 V-0, COLOR: BLACK.
 - TERMINALS: COPPER ALLOY.
 - PLATING: 0.000127 NICKEL OVERALL WITH 0.00254 SELECTIVE MATTE TIN ON TAILS AND 0.000762 SELECTIVE GOLD ON CONTACT AREA.
2. PACKAGING ASSEMBLIES TO BE TRAY PACKED, STD. QUANTITY: TBD.
3. PC BOARD REQUIRES SOLDER THRU HOLES, REFER TO PS-46436-100 FOR DETAILS.
4. PRODUCT SPEC: PS-46436-100.
5. APPLICATION SPEC: AS-46436-100.
6. SEE PRODUCT SPEC, FOR RoHS REQUIREMENTS.
7. ASSEMBLY MATES WITH MOLEX RECEPTACLE ASSEMBLY, P/N 46562-1241 OR 46436-1241.



RECOMMENDED PCB LAYOUT AND KEEP-OUT ZONE

PRIMARY RELEASE IEC NO: UCP2011-3524 DRAWN BY: CHYDKLEE CHECKED BY: APATEL DATE: 2011/05/16 DATE: 2011/05/16 DATE: 2012/12/13	QUALITY SYMBOLS	GENERAL TOLERANCES (UNLESS SPECIFIED)	DIMENSION STYLE	SCALE	DESIGN UNITS	THIRD ANGLE PROJECTION
	▽=0	mm INCH	MM ONLY	4:1	METRIC	☉
	▽=0	4 PLACES ±--- ±---	DRAWN BY: IMPATIL	DATE: 2011/05/16	TITLE	
	▽=0	3 PLACES ±--- ±---	CHECKED BY: KLEE	DATE: 2011/05/16	RA PLUG ASSY 2P-15S-2P TEN60 POWER FAMILY	
			APPROVED BY: APATEL	DATE: 2012/12/13	MOLEX INCORPORATED	
			MATERIAL NO. 46437-1241		DOCUMENT NO. SD-46437-1241	SHEET NO. 1 OF 1
		DRAFT WHERE APPLICABLE MUST REMAIN WITHIN DIMENSIONS	THIS DRAWING CONTAINS INFORMATION THAT IS PROPRIETARY TO MOLEX INCORPORATED AND SHOULD NOT BE USED WITHOUT WRITTEN PERMISSION			