

PLEASE CHECK WWW.MOLEX.COM FOR LATEST PART INFORMATION

Part Number: [5041873870](#)
Status: **Active**
Overview: [Micro-Lock™ Connectors](#)
Description: [Micro-Lock™ 1.25mm Pitch Dual-Row Vertical Header, Beige, 38 Circuits, 5041873870](#)

Documents:

3D Model	Application Specification AS-504186-002-001 (PDF)
Drawing (PDF)	Packaging Specification SPK-504187-001-001 (PDF)
Product Specification PS-504186-001-001 (PDF)	RoHS Certificate of Compliance (PDF)
Application Specification AS-504186-001-001 (PDF)	

General

Product Family	PCB Headers
Series	504187
Application	Wire-to-Board
Overview	Micro-Lock™ Connectors
Product Name	Micro-Lock
UPC	887191213439

Physical

Breakaway	No
Circuits (Loaded)	38
Circuits (maximum)	38
Color - Resin	Beige
Durability (mating cycles max)	30
First Mate / Last Break	No
Glow-Wire Compliant	No
Guide to Mating Part	No
Lock to Mating Part	Yes
Material - Metal	Brass
Material - Plating Mating	Tin
Material - Plating Termination	Nickel
Net Weight	879.683/mg
Number of Rows	2
Orientation	Vertical
PC Tail Length	3.00mm
PCB Locator	No
PCB Retention	None
PCB Thickness - Recommended	1.20mm, 1.60mm
Packaging Type	Embossed Tape on Reel
Pitch - Mating Interface	1.25mm
Pitch - Termination Interface	1.25mm
Temperature Range - Operating	-25°C to +85°C
Termination Interface: Style	Surface Mount

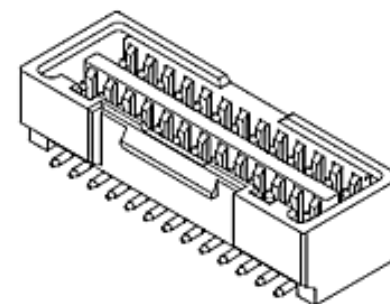
Electrical

Current - Maximum per Contact	1.5A
Voltage - Maximum	50V

Material Info

Reference - Drawing Numbers

Application Specification	AS-504186-001-001, AS-504186-002-001
Packaging Specification	SPK-504187-001-001
Product Specification	PS-504186-001-001
Sales Drawing	SD-504187-001, SD-504187-002



Series image - Reference only

EU ELV

Not Relevant

EU RoHS

Compliant

China RoHS

REACH SVHC

Not Contained Per -
ED/30/2017 (7 July
2017)

Halogen-Free

Status

Not Low-Halogen

Need more information on product environmental compliance?

Email productcompliance@molex.com
Please visit the [Contact Us](#) section for any non-product compliance questions.

China ROHS	Green Image
ELV	Not Relevant
RoHS Phthalates	Not Contained

Search Parts in this Series

[504187 Series](#)

Mates With

[504186 Micro-Lock™ Wire-to-Board Crimp Housing](#)

This document was generated on 10/20/2017

PLEASE CHECK WWW.MOLEX.COM FOR LATEST PART INFORMATION