

**PLEASE CHECK WWW.MOLEX.COM FOR LATEST PART INFORMATION**

**Part Number:** [0732510303](#)  
**Status:** **Active**  
**Overview:** [SMA RF Connectors](#)  
**Description:** 50 Ohms, SMA Plug to Right-Angle SMA Jack

**Documents:**

[Drawing \(PDF\)](#) [RoHS Certificate of Compliance \(PDF\)](#)

**General**

Product Family	RF/Coax Connectors
Series	<a href="#">73251</a>
Overview	<a href="#">SMA RF Connectors</a>
Product Name	SMA
Style	Adapter
UPC	756054759004
Wire/Cable Type	N/A

**Physical**

Gender	Jack/Plug
Keying to Mating Part	None
Net Weight	5.290/g
Orientation	Right Angle
PCB Mounting	N/A
Packaging Type	Tray
Panel Mount	No
Panel Mount Method	N/A
Reverse Polar	No

**Electrical**

Impedance	50Ω
-----------	-----

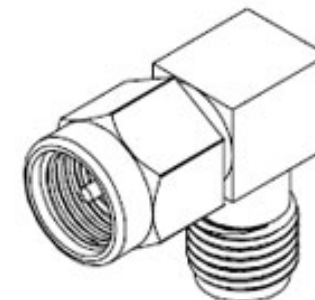
**Solder Process Data**

Lead-freeProcess Capability	N/A
-----------------------------	-----

**Material Info**

**Reference - Drawing Numbers**

Sales Drawing	SD-73251-030
---------------	--------------



*Series image - Reference only*

**EU ELV**

**Not Relevant**

**EU RoHS**

**Compliant with Exemption 6(c)**

**REACH SVHC**

Not Contained Per -ED/01/2017 (12 January 2017)

**Halogen-Free**

**Status**

**Low-Halogen**

**Need more information on product environmental compliance?**

Email [productcompliance@molex.com](mailto:productcompliance@molex.com)  
 Please visit the [Contact Us](#) section for any non-product compliance questions.

China ROHS	50 Image
ELV	Not Relevant
RoHS Phthalates	Not Contained

**Search Parts in this Series**

[73251](#) Series

**PLEASE CHECK WWW.MOLEX.COM FOR LATEST PART INFORMATION**