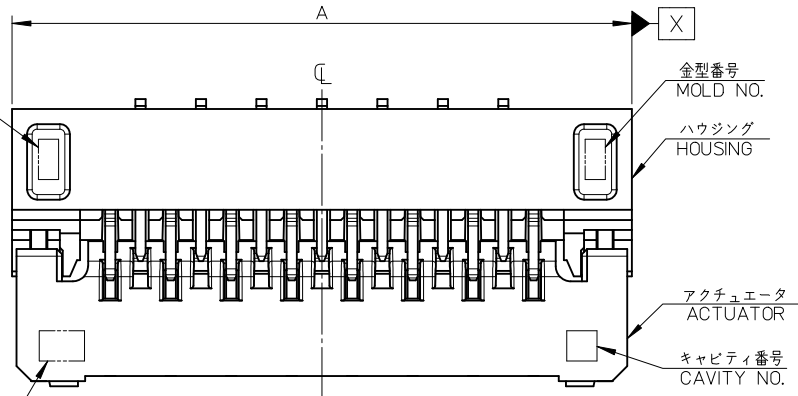


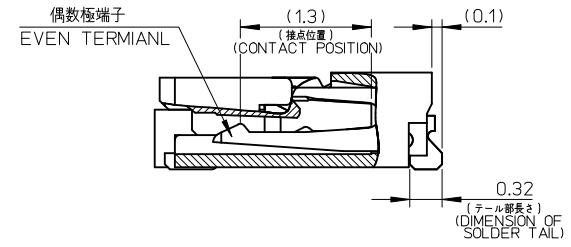
10 9 8 7 6 5 4 3 2 1

キャビティ番号  
CAVITY NO.

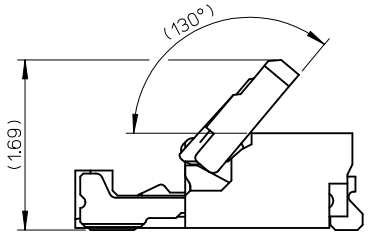
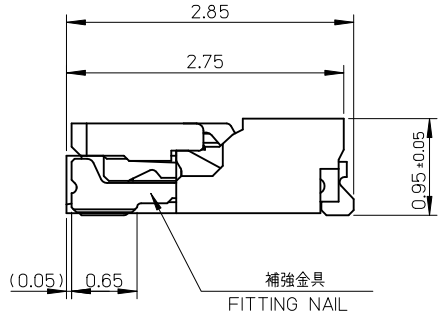
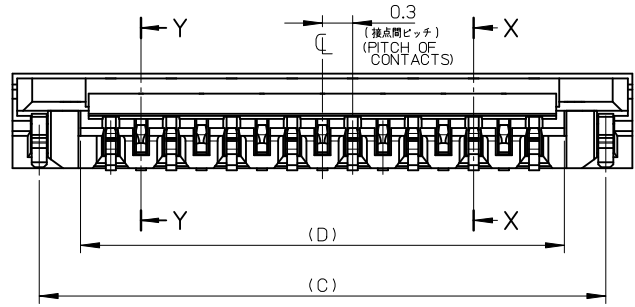
トレードマーク  
TRADE MARK



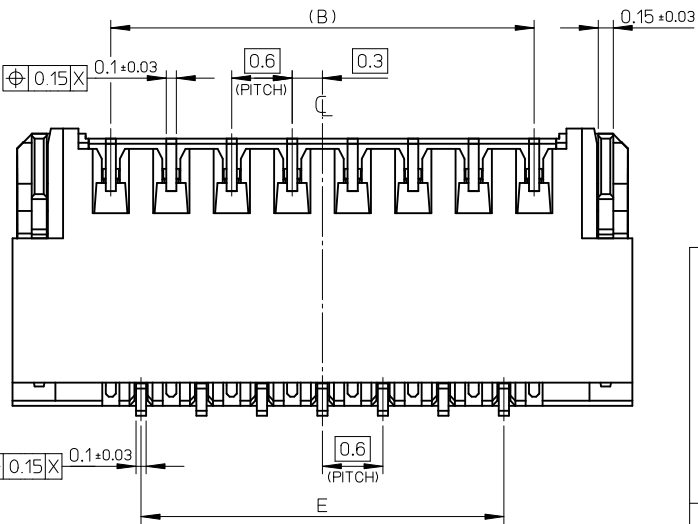
SECTION X-X



SECTION Y-Y

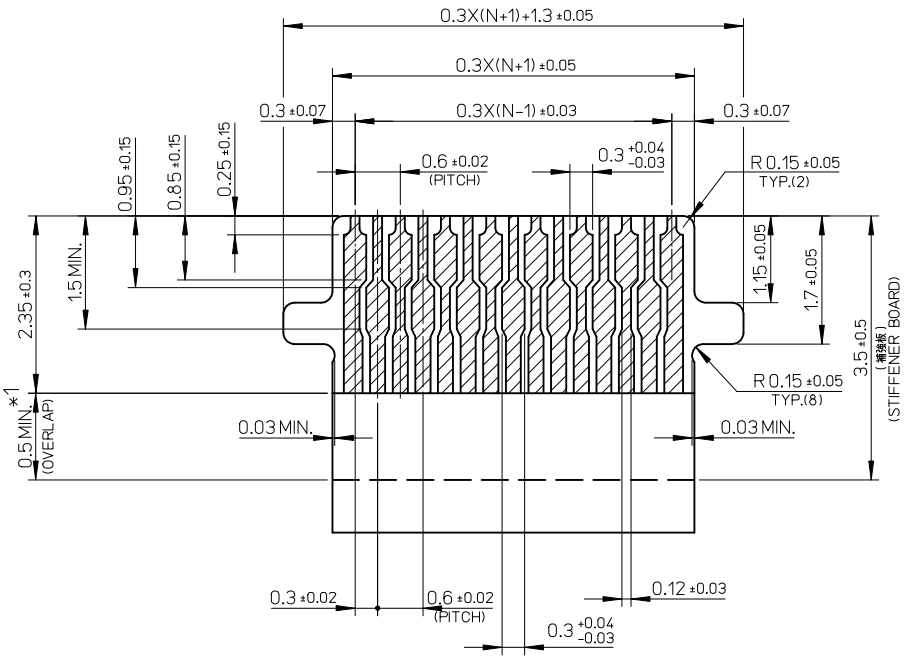
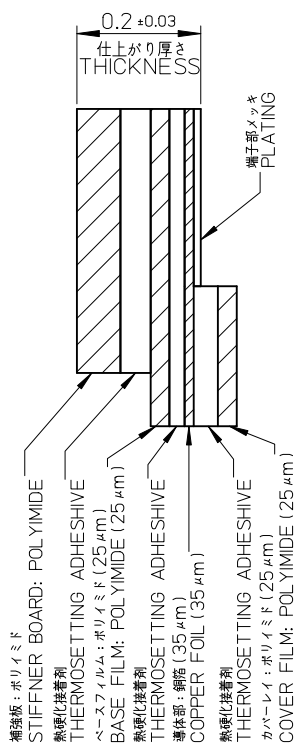


アクチュエータ開放位置  
POSITION OF ACTUATOR OPEN

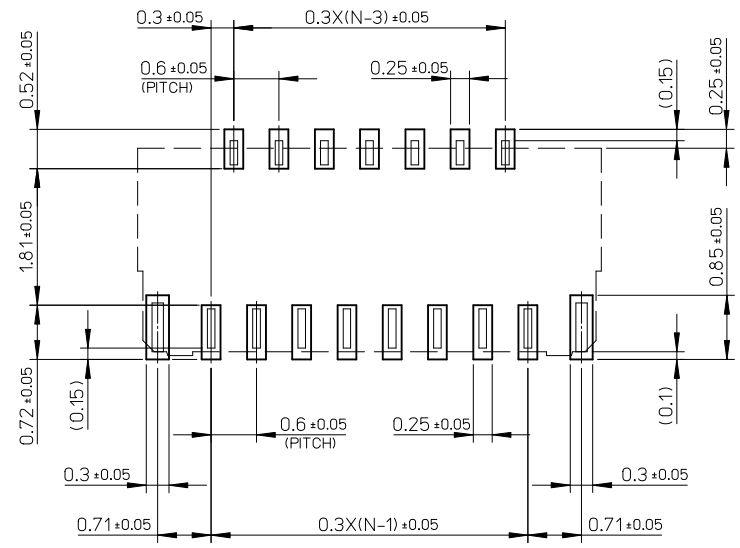


14.4	15.6	16.42	15.0	16.95	503566-5100	51
12.6	13.8	14.62	13.2	15.15	503566-4500	45
12.0	13.2	14.02	12.6	14.55	503566-4300	43
11.4	12.6	13.42	12.0	13.95	503566-4100	41
10.8	12.0	12.82	11.4	13.35	503566-3900	39
10.2	11.4	12.22	10.8	12.75	503566-3700	37
9.6	10.8	11.62	10.2	12.15	503566-3500	35
9.0	10.2	11.02	9.6	11.55	503566-3300	33
8.4	9.6	10.42	9.0	10.95	503566-3100	31
7.2	8.4	9.22	7.8	9.75	503566-2700	27
6.6	7.8	8.62	7.2	9.15	503566-2500	25
6.0	7.2	8.02	6.6	8.55	503566-2300	23
5.4	6.6	7.42	6.0	7.95	503566-2100	21
4.8	6.0	6.82	5.4	7.35	503566-1900	19
4.2	5.4	6.22	4.8	6.75	503566-1700	17
3.6	4.8	5.62	4.2	6.15	503566-1500	15
3.0	4.2	5.02	3.6	5.55	503566-1300	13
2.4	3.6	4.42	3.0	4.95	503566-1100	11
1.8	3.0	3.82	2.4	4.35	503566-0900	9
E	D	C	B	A	EMBOSSED PACKAGE	極数
					オーダー番号 ORDER NO.	CIRCUITS
CONNECTOR SERIES NO. 503566-***8						

REVISED EC NO.: J2011-1637 DRWN: HMIYAMOTO 2011/05/31 CHKD: H IJIMA 2011/05/31 APPR: KMORIKAWA 2011/06/02	GENERAL TOLERANCES (UNLESS SPECIFIED)		DIMENSION STYLE MM ONLY		SCALE		DESIGN UNITS METRIC		THIRD ANGLE PROJECTION		
	10 UNDER	± ---	DRAWN BY	DATE	TITLE						
	10 OVER 30 UNDER	± ---	H IJIMA	2010/05/20	0.3 FPC CONN E/O BTM CONTACT TYPE HGT=0.95MM MOLEX INCORPORATED						
	30 OVER	± ---	CHECKED BY	DATE							
	ANGULAR ±1 °		APPROVED BY		DATE	DOCUMENT NO.					
DRAFT WHERE APPLICABLE MUST REMAIN WITHIN DIMENSIONS		KMORIKAWA		2010/06/11	503566-***8						
		MATERIAL NO.		SD-503566-001						SHEET NO. 1 OF 2	
		SIZE		THIS DRAWING CONTAINS INFORMATION THAT IS PROPRIETARY TO MOLEX INCORPORATED AND SHOULD NOT BE USED WITHOUT WRITTEN PERMISSION							
		A3									



適合するFPC推奨寸法 (参考)  
APPLICABLE FPC  
PATTERN DIMENSIONS(REF.)  
(端子部仕上がり厚さ: 0.2±0.03)  
(THICKNESS: 0.2±0.03)



参考基板レイアウト  
RECOMMENDED PCB  
PATTERN DIMENSIONS(REF.)

推奨ペースト厚 : 100µm  
推奨マスク開口率 : 80%  
RECOMMEND SCREEN THICKNESS : 100µm  
RECOMMEND SCREEN OPEN RATIO : 80%

注記 NOTES

- 使用材料 MATERIALS  
ハウジング : 液晶ポリマー (LCP)、ガラス充填、UL94V-0、ナチュラル (白色系)  
アクチュエータ: ポリアミド (PA)、ガラス充填、UL94V-HB、黒色  
奇数端子 : 燐青銅、ニッケル下地、金メッキ  
偶数端子 : 燐青銅、ニッケル下地、金メッキ  
補強金具 : 燐青銅、ニッケル下地、金メッキ  
HOUSING : LIQUID CRYSTAL POLYMER(LCP), GLASS FILLED  
UL94V-0, NATURAL(WHITE)  
ACTUATOR : POLYAMIDE (PA), GLASS FILLED  
UL94V-HB, BLACK  
ODD TERMINAL : PHOSPHOR BRONZE, Gold OVER Nickel PLATING  
EVEN TERMINAL: PHOSPHOR BRONZE, Gold OVER Nickel PLATING  
FITTING NAIL : PHOSPHOR BRONZE, Gold OVER Nickel PLATING
- 端子、補強金具のコプラナリティは 0.1以下とする  
COPLANALITY OF SOLDER TAILS AND FITTING NAILS: 0.1MAX.
- 一般公差: ± 0.3  
GENERAL TOLERANCES: ±0.3
- ELV及びRoHS適合品  
ELV AND RoHS COMPLIANT

FPC構成推奨仕様  
STRUCTURE OF FPC

FPCについて (ABOUT FPC)

抜き方向は、導体側から補強板側を推奨します  
補強板材質はポリイミド、接着剤は熱硬化接着剤を推奨します  
なお、接着剤の接点部への付着は導通不良の原因となりますので  
染み出しがないよう、お願いします

RECOMMENDED PUNCHER DIRECTION:  
FROM CONDUCTOR SIDE TO STIFFENER BOARD SIDE  
RECOMMENDED MATERIAL:  
STIFFENER BOARD: POLYIMIDE  
BONDING AGENT: THERMOSETTING ADHESIVE  
PLEASE PUT APPROPRIATE AMOUNT OF ADHESIVE ON  
ADHEREND BECAUSE THERE IS A POSSIBILITY THAT  
THE EXTRA ADHESIVE CAUSES THE DEFECT IN ELECTRICAL CONTINUITY

FPCパターンメッキ仕様

金メッキ: 0.1µm 以上  
下地ニッケルメッキ: 2~6µm  
FPC PATTERN PLATING  
GOLD PLATING : 0.1µm MINIMUM  
NICKEL UNDER PLATING : 2~6µm

\*1 補強板長さが図面通り確保できない場合は、カバーレイと補強板のオーバーラップ寸法を0.5mm以上としてください

WHEN STIFFENER BOARD DIMENSION CAN NOT  
SECURE AS DRAWING, PLEASE GIVE THE OVERLAP  
SIZE OF COVER FILM AND STIFFENER BOARD AS 0.5mm MINIMUM

SEE SHEET 1 OF 2 EC NO: J2011-1637 TIDRWNHMIYAMOTO 2011/05/31 CHKDHIJIMA 2011/05/31 APPR:KMORIKAWA 2011/06/02	GENERAL TOLERANCES (UNLESS SPECIFIED)		DIMENSION STYLE	SCALE	DESIGN UNITS	THIRD ANGLE PROJECTION
			MM ONLY		METRIC	
	10 UNDER	± ---	DRAWN BY	DATE	TITLE	
	10 OVER 30 UNDER	± ---	HIJIMA	2010/05/20	0.3 FPC CONN E/O BTM CONTACT TYPE HGT=0.95MM	
30 OVER	± ---	CHECKED BY	DATE	MOLEX INCORPORATED		
ANGULAR	±1 °	NMATSUURA	2010/05/20	MATERIAL NO.		
DRAFT WHERE APPLICABLE		APPROVED BY	DATE	DOCUMENT NO.		
MUST REMAIN WITHIN DIMENSIONS		KMORIKAWA	2010/06/11	503566-***8		
		MATERIAL NO.	DOCUMENT NO.	SHEET NO.		
		503566-***8	SD-503566-001	2 OF 2		
		THIS DRAWING CONTAINS INFORMATION THAT IS PROPRIETARY TO MOLEX INCORPORATED AND SHOULD NOT BE USED WITHOUT WRITTEN PERMISSION				