

PLEASE CHECK WWW.MOLEX.COM FOR LATEST PART INFORMATION

Part Number: [0526102272](#)
Status: **Active**
Overview: FFC-FPC (SMT)
Description: 1.00mm Pitch Easy-On Type FFC/FPC Connector, Surface Mount, Vertical, ZIF, Gold (Au) Contact Plating, 22 Circuits, High Barrier Packaging

Documents:

[3D Model](#) [Packaging Specification SPK-52610-003-001 \(PDF\)](#)
[Drawing \(PDF\)](#) [RoHS Certificate of Compliance \(PDF\)](#)
[Product Specification PS-52610-007-001 \(PDF\)](#)

Agency Certification

CSA LR19980
 UL E29179

General

Product Family FFC/FPC Connectors
 Series [52610](#)
 Overview [FFC-FPC \(SMT\)](#)
 Product Name Easy-On
 UPC 822350167482

Physical

Circuits (Loaded) 22
 Color - Resin Natural
 Contact Position N/A
 Durability (mating cycles max) 30
 Entry Angle Vertical
 Flammability 94V-0
 Mated Height 5.75mm
 Material - Metal Phosphor Bronze
 Material - Plating Mating Gold
 Material - Plating Termination Tin
 Material - Resin Nylon
 Net Weight 1009.340/mg
 Number of Rows 1
 Orientation Vertical
 PC Tail Length 2.00mm
 PCB Locator No
 PCB Retention None
 Packaging Type Embossed Tape on Reel
 Pitch - Mating Interface 1.00mm
 Polarized to PCB No
 Stackable No
 Temperature Range - Operating -40°C to +85°C
 Termination Interface: Style Surface Mount
 Wire/Cable Type FFC/FPC

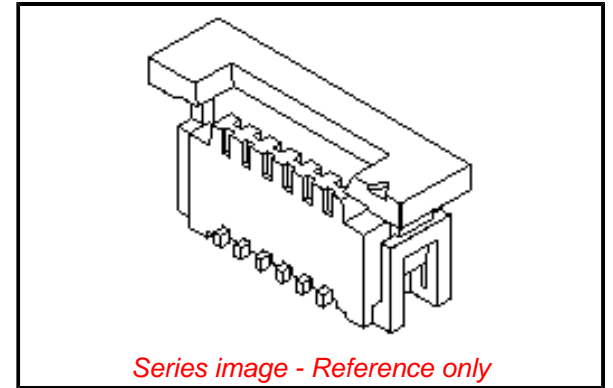
Electrical

Current - Maximum per Contact 1.0A
 Voltage - Maximum 125V AC (RMS)/DC

Material Info

Reference - Drawing Numbers

Packaging Specification SPK-52610-003-001
 Product Specification PS-52610-007-001
 Sales Drawing 526101000-000, SD-52610-036, SD-52610-037



EU ELV

Not Relevant

EU RoHS

Compliant

REACH SVHC

Not Contained Per -
 ED/30/2017 (7 July
 2017)

Halogen-Free

Status

Not Low-Halogen

**Need more information on product
 environmental compliance?**

Email productcompliance@molex.com
 Please visit the [Contact Us](#) section for any
 non-product compliance questions.

China ROHS

ELV

RoHS Phthalates

China RoHS

Green Image

Not Relevant

Not Contained

Search Parts in this Series

[52610 Series](#)

Mates With

Molex Premo-Flex FFC. Be sure to match like plating

This document was generated on 10/11/2017

PLEASE CHECK WWW.MOLEX.COM FOR LATEST PART INFORMATION