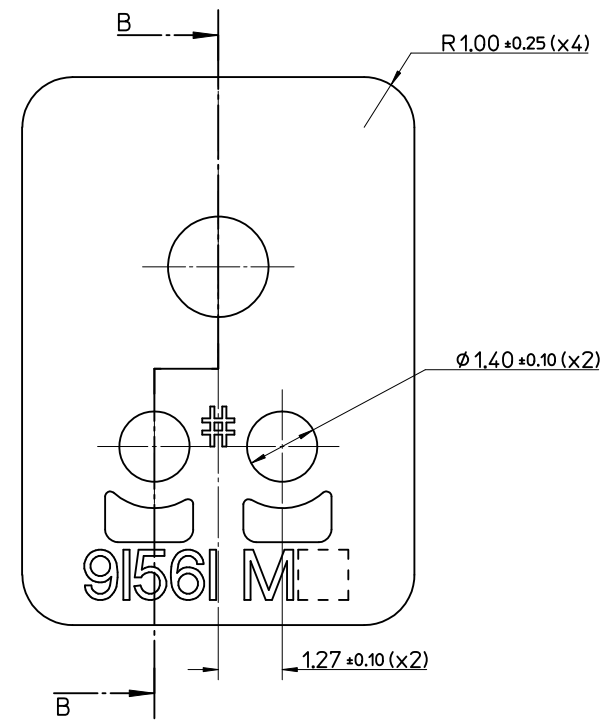
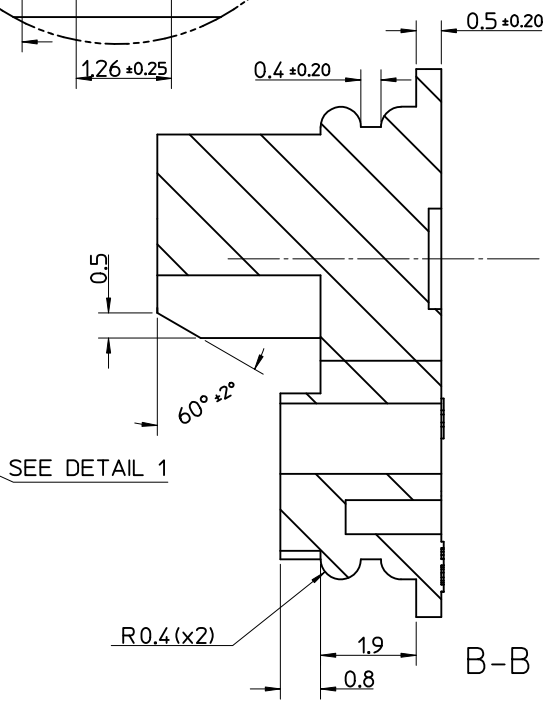
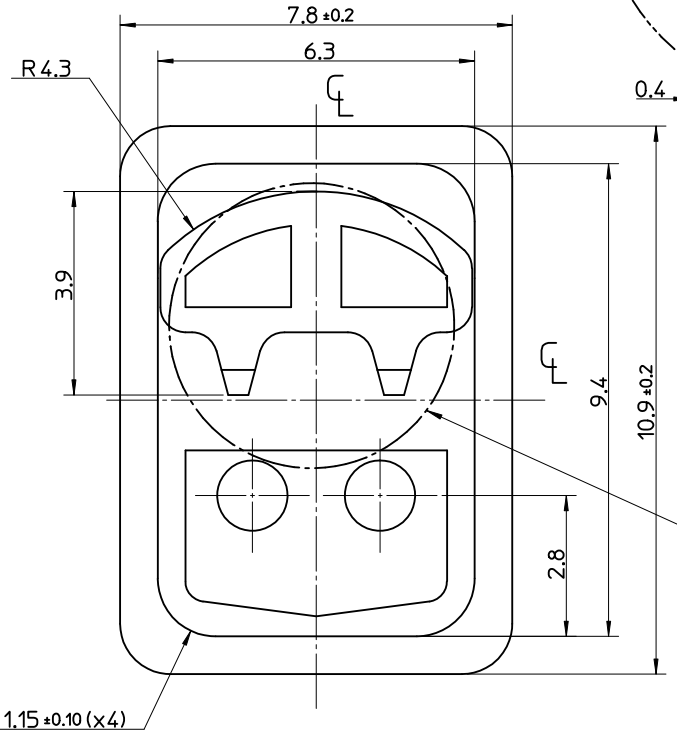
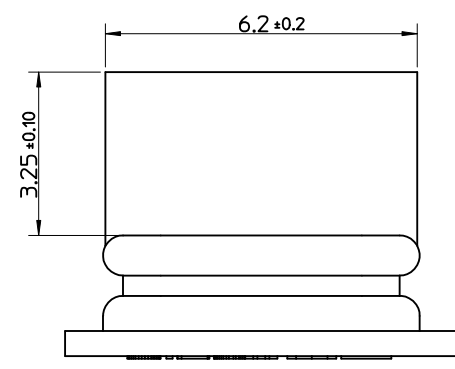
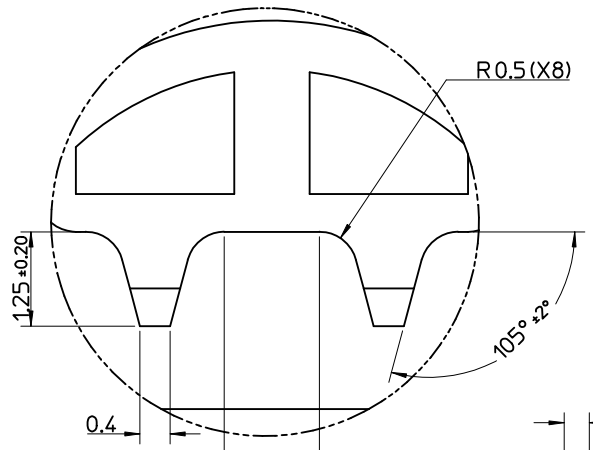


10 9 8 7 6 5 4 3 2 1



SCALE 1:1

DETAIL 1  
SCALE: 15:1



- NOTES:
1. MATERIAL: TPE 80A SHORE HARDNESS.  
COLOUR: BLACK.
  2. FINISH: N/A.
  3. FOR PRODUCT SPECIFICATION SEE PS-91560-003
  4. PACKAGING: SEE PACKAGING SPECIFICATION PK-91561-003
  5. THIS PART CONFORMS TO CLASS B REQUIREMENTS OF COSMETIC SPECIFICATION PS-45499-002.

REVISED NOTES	EC NO: UCP2010-1407	DRWN:MKIPPER 2009/12/14	CHKD:JBELL 2009/12/16	APPR:FSMITH 2009/12/17
	DESCRIPTION			
	QUALITY SYMBOLS			
	<p>▼ - 0</p> <p>▽ - 0</p>			

GENERAL TOLERANCES (UNLESS SPECIFIED)	mm	INCH
	4 PLACES ± ---	± ---
	3 PLACES ± ---	± ---
	2 PLACES ± 0.05	± ---
	1 PLACE ± 0.1	± ---
ANGULAR ± 2 °		
DRAFT WHERE APPLICABLE		
MUST REMAIN WITHIN DIMENSIONS		

SCALE 10:1	DESIGN UNITS METRIC
DIMENSION STYLE MM ONLY	
DRAWN BY LKIERNAN	DATE 13/07/01
CHECKED BY BMAGUIRE	DATE 3/10/01
APPROVED BY MWILHITE	DATE 3/10/01

THIRD ANGLE PROJECTION	REVISE ON CAD ONLY
TITLE 2.54MM KK CRP SEAL	
MOLEX INCORPORATED	
MATERIAL NO. 91561-0001	DOCUMENT NO. SD-91561-001
SHEET NO. 1 OF 1	
THIS DRAWING CONTAINS INFORMATION THAT IS PROPRIETARY TO MOLEX INCORPORATED AND SHOULD NOT BE USED WITHOUT WRITTEN PERMISSION	

9 8 7 6 5 4 3 2 1