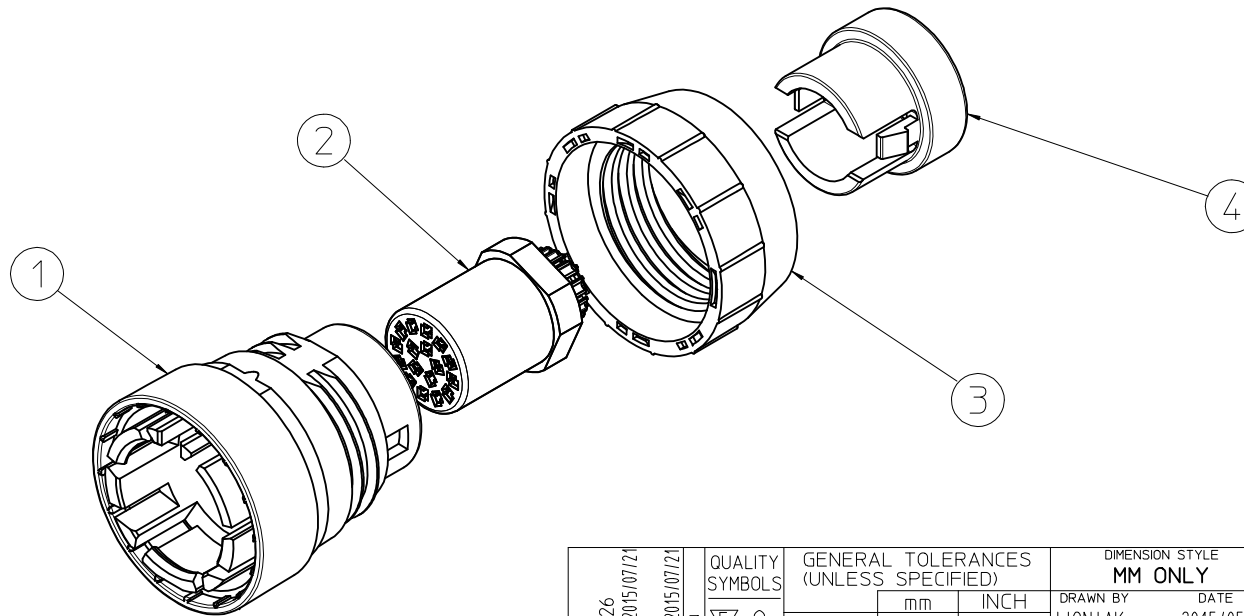


ITEM NUMBER	P/N	DESCRIPTION	QTY	SPQ
1	172348-2001	MPC D2 PANEL HOUSING ASSEMBLY	1	10
2	172344-2000	MPC D2 FEMALE RETAINER ASSEMBLY 17 CIRCUIT	1	10
3	172349-1000	REAR PANEL NUT	1	10
4	172346-1000	MPC D2 FEMALE LOCK HOUSING	1	10

NOTES:

1. RETAINER ASSEMBLY TO BE PACKAGED IN TAPE AND REEL.
OTHER COMPONENTS TO BE INDIVIDUALLY BULK PACKED IN BAGS
PER PK-70873-3344.
2. MATERIAL: MEDICAL GRADE PEI; COLOR, BLACK
3. SEE APPLICATION SPECIFICATION AS-172350-0000 FOR ASSEMBLY DETAILS.
4. MATES WITH STANDARD KIT P/N 172360-1710 OR DISPOSABLE KIT P/N 172890-1710.



CHGD QTY EC NO: UCP2016-0326 DRWN: JONIAK 2015/07/21 CHKD: APPR: RHODGE 2015/07/21	DESCRIPTION	QUALITY SYMBOLS	GENERAL TOLERANCES (UNLESS SPECIFIED)		DIMENSION STYLE	SCALE	DESIGN UNITS	THIRD ANGLE PROJECTION	
		▽=0 ▽=0 ▽=0	mm	INCH	MM ONLY	20:1	METRIC	TITLE	
			4 PLACES ± ---	± ---	DRAWN BY	DATE	MPC D2 FEMALE PANEL MOUNT ASSY KIT 17 CIRCUIT		
			3 PLACES ± ---	± ---	JJONIAK	2015/05/28			
			2 PLACES ± 0.13	± ---	CHECKED BY	DATE	molex		
			1 PLACE ± 0.25	± ---	APPROVED BY	DATE			
			0 PLACE ± ---	± ---	RHODGE	2015/06/26	DOCUMENT NO. SD-172350-1710		
			ANGULAR ±1/2°		MATERIAL NO. 172350-1710				
			DRAFT WHERE APPLICABLE MUST REMAIN WITHIN DIMENSIONS		THIS DRAWING CONTAINS INFORMATION THAT IS PROPRIETARY TO MOLEX INCORPORATED AND SHOULD NOT BE USED WITHOUT WRITTEN PERMISSION				