

PLEASE CHECK WWW.MOLEX.COM FOR LATEST PART INFORMATION

Part Number: [0003061122](#)
Status: **Active**
Overview: Standard .062" Pin and Socket Power Connectors
Description: 1.57mm Diameter Standard .062" Pin and Socket Receptacle Housing, 12 Circuits, without Mounting Ears

Documents:

[3D Model](#) [Packaging Specification PK-1625-003-001 \(PDF\)](#)
[Drawing \(PDF\)](#) [RoHS Certificate of Compliance \(PDF\)](#)
[Product Specification PS-02-06-001 \(PDF\)](#)

Agency Certification

CSA LR19980
 UL E29179

General

Product Family Crimp Housings
 Series [1625](#)
 Application Power, Wire-to-Wire
 Comments Polarized to Mating Part
 Overview [Standard .062" Pin and Socket Power Connectors](#)
 Product Name Standard .062"
 UPC 800754231213

Physical

Breakaway No
 Circuits (maximum) 12
 Circuits Detail 3x4
 Color - Resin Natural
 Flammability 94V-2
 Gender Receptacle
 Glow-Wire Compliant No
 Keying to Mating Part None
 Lock to Mating Part Yes
 Material - Resin Nylon
 Net Weight 2.737/g
 Number of Rows 3
 Packaging Type Bag
 Panel Mount No
 Pitch - Mating Interface 3.68mm
 Pitch - Termination Interface 3.68mm
 Polarized to Mating Part Yes
 Stackable No
 Temperature Range - Operating -40°C to +105°C

Electrical

Current - Maximum per Contact 5.0A

Solder Process Data

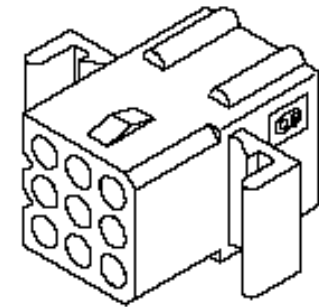
Lead-freeProcess Capability N/A

Material Info

Engineering Number 1625-12R1

Reference - Drawing Numbers

Packaging Specification PK-1625-003-001
 Product Specification PS-02-06-001
 Sales Drawing SD-1625-12*



Series image - Reference only

EU ELV

Not Relevant

EU RoHS

Compliant

REACH SVHC

Not Contained Per -
 ED/30/2017 (7 July
 2017)

Halogen-Free

Status

Low-Halogen

**Need more information on product
 environmental compliance?**

Email productcompliance@molex.com
 Please visit the [Contact Us](#) section for any
 non-product compliance questions.

China ROHS

ELV

RoHS Phthalates

Green Image

Not Relevant

Not Contained

Search Parts in this Series

[1625 Series](#)

Mates With

[03-06-2121](#) , [03-06-2122](#)

Use With

Female Crimp Terminals [1561](#) , [4559](#) , [4529](#)
 , [2190](#) , [2189](#) , [1787](#) , [1855](#) . Male Crimp
 Terminals [1560](#) , [1786](#) , [1854](#) . [1778](#) Male
 PC Tail Terminals. [1779](#) Female PC Tail
 Terminals

This document was generated on 10/10/2017

PLEASE CHECK WWW.MOLEX.COM FOR LATEST PART INFORMATION