



FEATURES

- RoHS compliant
- Low profile
- Surface mount
- Inductance range from 1.0µH to 1.0mH
- Tape & reel
- UL 94V-0 materials
- J-STD-020D.1 reflow

PRODUCT OVERVIEW

The 2900 series is a range of bobbin-wound, shielded inductors. They are suitable for power-line filtering found in consumer electronics such as desktop computers, handheld devices and GPS systems, as well as in a vast range of industrial and telecom applications including network hubs, bridges & routers, and high frequency wireless communication devices.

These surface mount inductors are extremely compact and have an integral shield, making them useful in EMI sensitive applications.

For lower current ratings see also our lower profile 2900L series.

SELECTION GUIDE

| Order Code | Inductance (10kHz, 0.1VAc) | | Idc ² Max. A | Rdc Max. mΩ |
|------------|----------------------------|-------------------|-------------------------------|-------------------|
| | Nom. µH | Min. – Max. µH | | |
| 29102C | 1.0 | 0.70 – 1.30 | 6.0 | 16 |
| 29152C | 1.5 | 1.05 – 1.95 | 5.5 | 18 |
| 29222C | 2.2 | 1.54 – 2.86 | 5.0 | 20 |
| 29332C | 3.3 | 2.31 – 4.29 | 4.0 | 28 |
| 29472C | 4.7 | 3.29 – 6.11 | 2.3 | 30 |
| 29682C | 6.8 | 4.76 – 8.84 | 2.1 | 40 |
| 29103C | 10 | 8.0 – 12.0 | 1.8 | 45 |
| 29153C | 15 | 12.0 – 18.0 | 1.5 | 65 |
| 29223C | 22 | 17.6 – 26.4 | 1.2 | 85 |
| 29333C | 33 | 26.4 – 39.6 | 1.0 | 120 |
| 29473C | 47 | 37.6 – 56.4 | 850mA | 170 |
| 29683C | 68 | 54.4 – 81.6 | 650mA | 250 |
| 29104C | 100 | 80.0 – 120 | 530mA | 360 |
| 29154C | 150 | 120 – 180 | 470mA | 500 |
| 29224C | 220 | 176 – 264 | 380mA | 760 |
| 29334C | 330 | 264 – 396 | 320mA | 1000 |
| 29474C | 470 | 376 – 564 | 260mA | 1600 |
| 29684C | 680 | 544 – 816 | 210mA | 2400 |
| 29105C | 1000 | 800 – 1200 | 180mA | 4100 |

ABSOLUTE MAXIMUM RATINGS

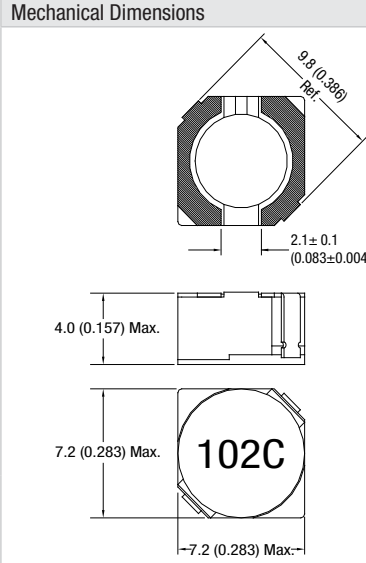
| | |
|--------------------------------------|----------------|
| Operating free air temperature range | -40°C to 85°C |
| Storage temperature range | -40°C to 125°C |

SOLDERING INFORMATION¹

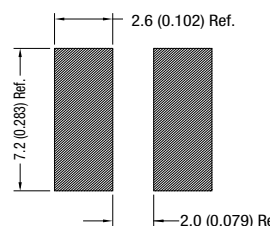
| | |
|---|-------|
| Peak reflow solder temperature | 250°C |
| Pin finish | Tin |
| Moisture sensitivity level ³ | 1 |

PACKAGE SPECIFICATIONS

Mechanical Dimensions



Recommended Footprint Details*



*Distance between the outside ends of the terminations is 6.6±1.5 (0.26±0.06)
Unless otherwise stated, all dimensions in mm (inches) ± 0.25 (0.010).
Package weight: 0.7g Typ.



For full details go to
www.murata-ps.com/rohs

1 For further information, please visit www.murata-ps.com/rohs
2 The maximum DC current is the value at which the inductance falls to 75% of its nominal value or when its temperature rise reaches 40°C, whichever is sooner.

3 When tested to moisture sensitivity level 1, as described per IPC/JEDEC J-STD-020D, products passed electrical testing, package coplanarity and visual inspection.
All specifications typical at T_a=25°C

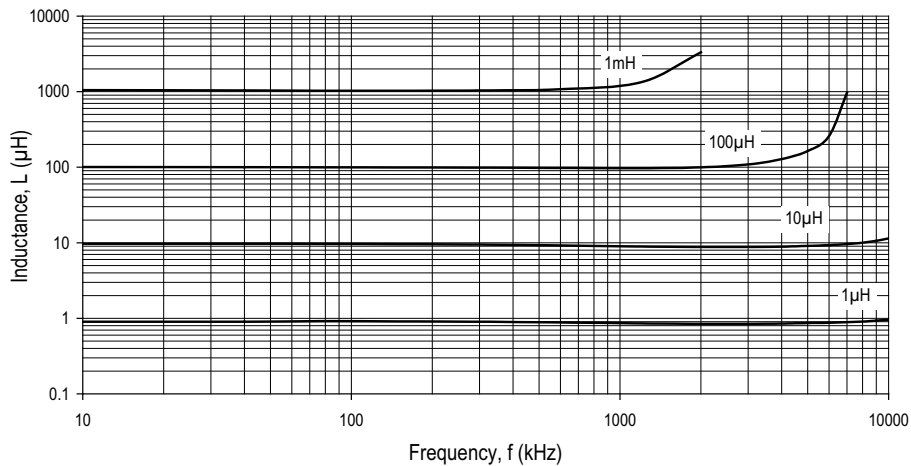
INDUCTANCE Vs CURRENT



TEMPERATURE Vs CURRENT

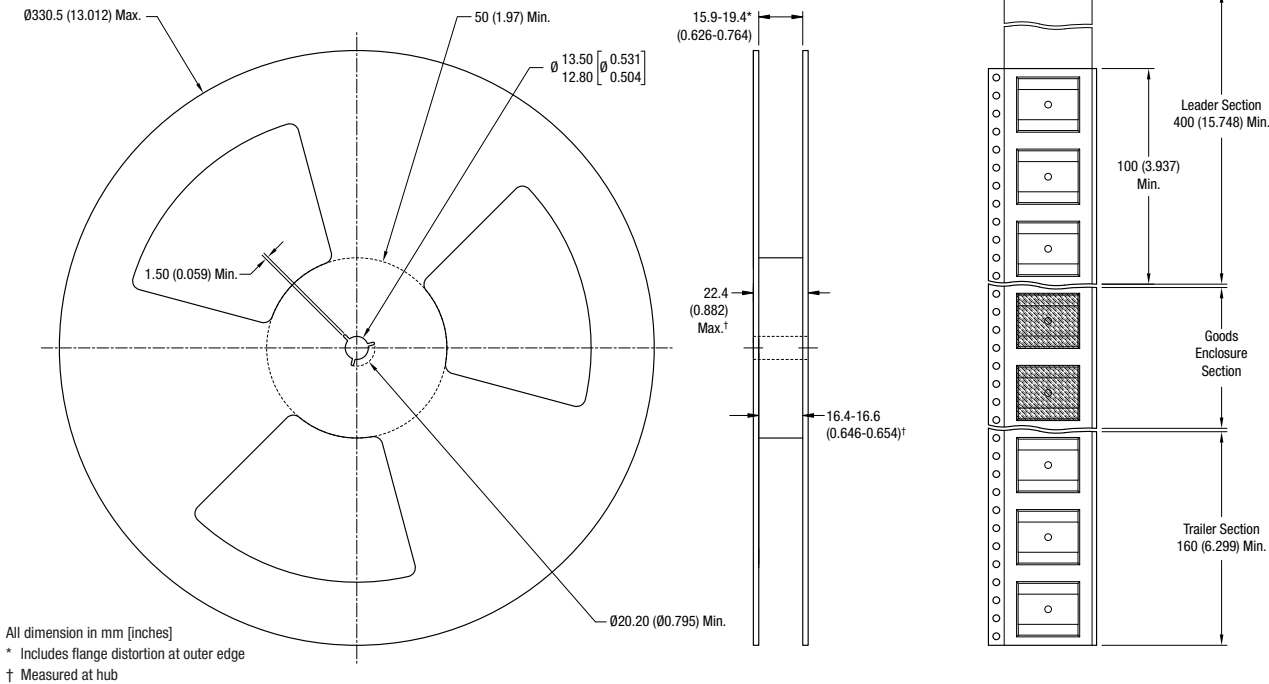


INDUCTANCE Vs FREQUENCY

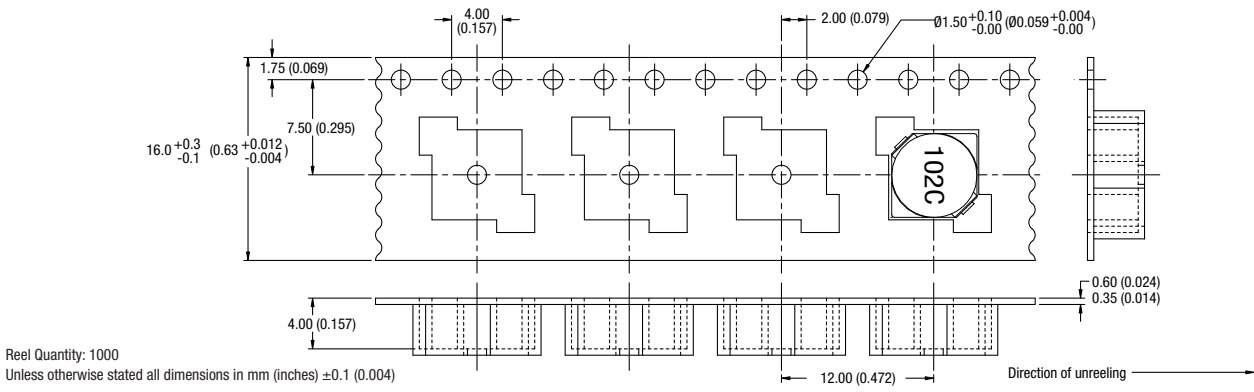


PACKAGE SPECIFICATIONS

Reel Dimensions



Tape Outline Dimensions



Murata Power Solutions, Inc.
 11 Cabot Boulevard, Mansfield, MA 02048-1151 U.S.A.
 ISO 9001 and 14001 REGISTERED

Murata Power Solutions, Inc. makes no representation that the use of its products in the circuits described herein, or the use of other technical information contained herein, will not infringe upon existing or future patent rights. The descriptions contained herein do not imply the granting of licenses to make, use, or sell equipment constructed in accordance therewith. Specifications are subject to change without notice.
 © 2013 Murata Power Solutions, Inc.