



FEATURES

- RoHS compliant
- Up to 3.1A I_{DC}
- 2.7μH to 220μH
- Optional integral EMI shield
- Low R_{DC}
- Surface mount
- Compact size
- Tape and reel packaging
- J-STD-020C reflow
- Backward compatible with Sn/Pb soldering systems

DESCRIPTION

The 2400 series is a range of bobbin-wound, surface-mount inductors designed for use in switching power supply, and power line filter circuits. The parts are suitable for any application requiring a high saturation current in a miniature surface-mount footprint. Where EMI is a critical factor, the devices are available with an integral ferrite EMI shield.

SELECTION GUIDE (UNSHIELDED TYPES)

| Order Code | Inductance (1kHz, 100mV _{AC}) | Inductance Range (1kHz, 100mV _{AC}) | DC Current ¹ | DC Resistance | SRF (100mV _{rms}) |
|---------------|--|--|----------------------------|------------------|--------------------------------|
| | Nom. | Min. - Max. | Max. | Max. | Nom. |
| | μH | μH | A | mΩ | MHz |
| 242R7C | 2.7 | 2.04 - 3.78 | 2.60 | 39 | 57.0 |
| 243R3C | 3.3 | 2.44 - 4.54 | 2.40 | 42 | 53.0 |
| 244R7C | 4.7 | 3.37 - 6.25 | 2.10 | 50 | 45.0 |
| 246R8C | 6.8 | 5.03 - 9.34 | 1.75 | 61 | 37.0 |
| 24100C | 10 | 8.00 - 12.0 | 1.44 | 100 | 27.8 |
| 24120C | 12 | 8.54 - 15.9 | 1.36 | 100 | 26.0 |
| 24150C | 15 | 12.0 - 18.0 | 1.30 | 120 | 22.0 |
| 24180C | 18 | 13.0 - 24.1 | 1.26 | 150 | 20.0 |
| 24220C | 22 | 17.6 - 26.4 | 1.11 | 180 | 16.5 |
| 24330C | 33 | 28.1 - 34.7 | 0.88 | 230 | 13.1 |
| 24470C | 47 | 40.8 - 54.1 | 0.72 | 370 | 10.9 |
| 24680C | 68 | 61.2 - 74.8 | 0.61 | 460 | 9.38 |
| 24101C | 100 | 90.0 - 110 | 0.52 | 700 | 7.03 |
| 24151C | 150 | 135 - 165 | 0.40 | 1100 | 5.13 |
| 24221C | 220 | 198 - 242 | 0.35 | 1570 | 4.24 |

SELECTION GUIDE (SHIELDED TYPES)

| Order Code | Inductance (1kHz, 100mV _{AC}) | Inductance Range (1kHz, 100mV _{AC}) | DC Current ¹ | DC Resistance | SRF (100mV _{rms}) |
|----------------|--|--|----------------------------|------------------|--------------------------------|
| | Nom. | Min. - Max. | Max. | Max. | Nom. |
| | μH | μH | A | mΩ | MHz |
| 24S2R7C | 2.7 | 1.78 - 3.52 | 3.10 | 28 | 79.0 |
| 24S3R3C | 3.3 | 2.07 - 4.68 | 2.80 | 32 | 63.0 |
| 24S4R7C | 4.7 | 2.82 - 6.01 | 2.39 | 37 | 52.0 |
| 24S6R8C | 6.8 | 4.40 - 9.17 | 2.00 | 45 | 39.0 |
| 24S100C | 10 | 8.50 - 12.5 | 1.64 | 70 | 25.6 |
| 24S120C | 12 | 7.65 - 15.2 | 1.50 | 74 | 29.0 |
| 24S150C | 15 | 12.8 - 18.8 | 1.34 | 90 | 19.7 |
| 24S180C | 18 | 11.1 - 22.7 | 1.22 | 91 | 23.0 |
| 24S220C | 22 | 18.7 - 27.5 | 1.10 | 120 | 15.7 |
| 24S330C | 33 | 28.1 - 41.3 | 0.90 | 190 | 11.2 |
| 24S470C | 47 | 40.0 - 58.8 | 0.75 | 240 | 10.2 |
| 24S680C | 68 | 57.8 - 85.0 | 0.63 | 370 | 8.09 |
| 24S101C | 100 | 85.0 - 120 | 0.52 | 540 | 6.2 |
| 24S151C | 150 | 128 - 180 | 0.42 | 860 | 4.88 |
| 24S221C | 220 | 187 - 264 | 0.35 | 1310 | 3.58 |

ABSOLUTE MAXIMUM RATINGS

| | |
|--------------------------------------|----------------|
| Operating free air temperature range | -40°C to 85°C |
| Storage temperature range | -40°C to 125°C |

SOLDERING INFORMATION²

| | |
|-------------------------|----------------|
| Peak reflow temperature | 250°C |
| Pin finish | Hot dipped tin |

Specifications typical at T_a = 25°C

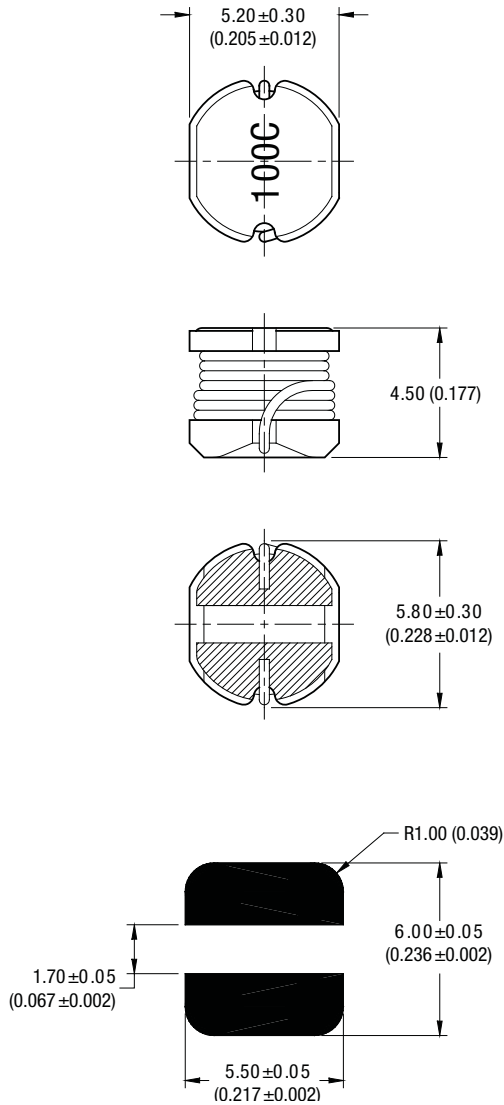
1 The maximum DC current is the value at which the inductance falls to 80% of its nominal value or when its temperature rise reaches 40°C, whichever is sooner.

2 For further information, please visit www.murata-ps.com/rohs



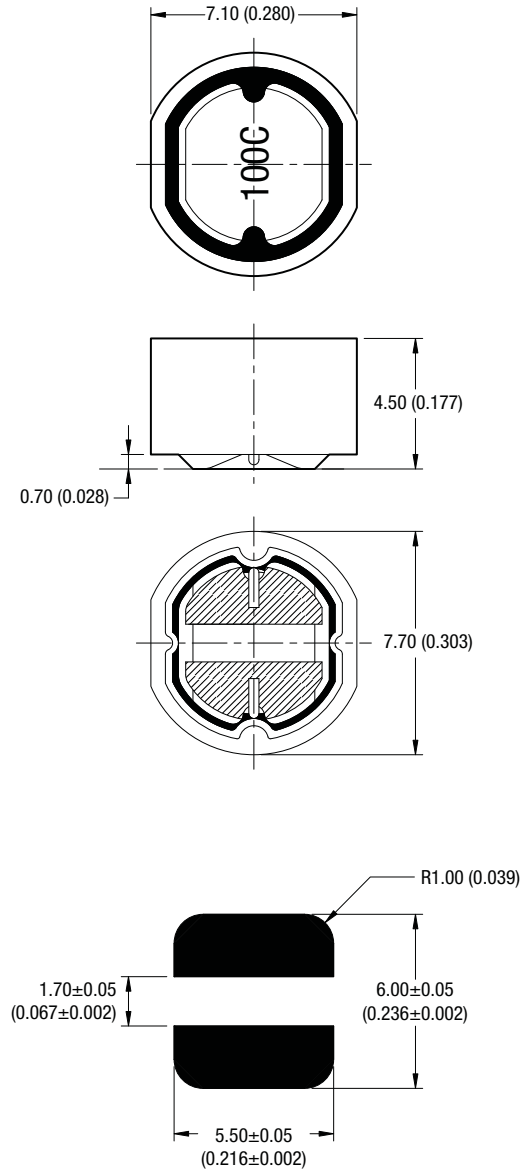
MECHANICAL DIMENSIONS

UNSHIELDED TYPES



Unless otherwise stated all dimensions in mm (inches) ±0.25 (0.01). Package Weight 0.43g Typ.

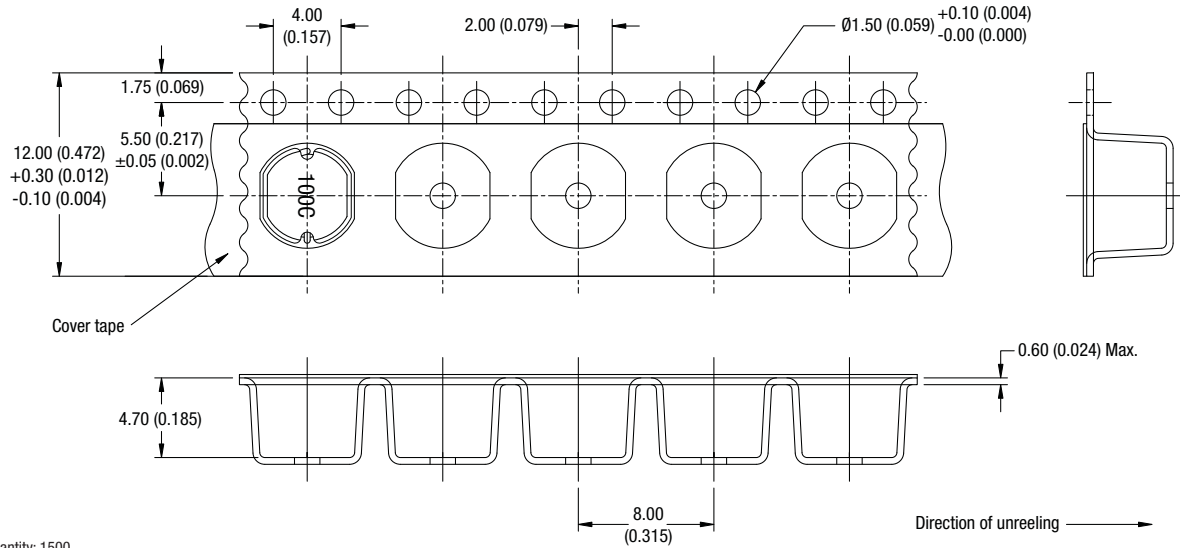
SHIELDED TYPES



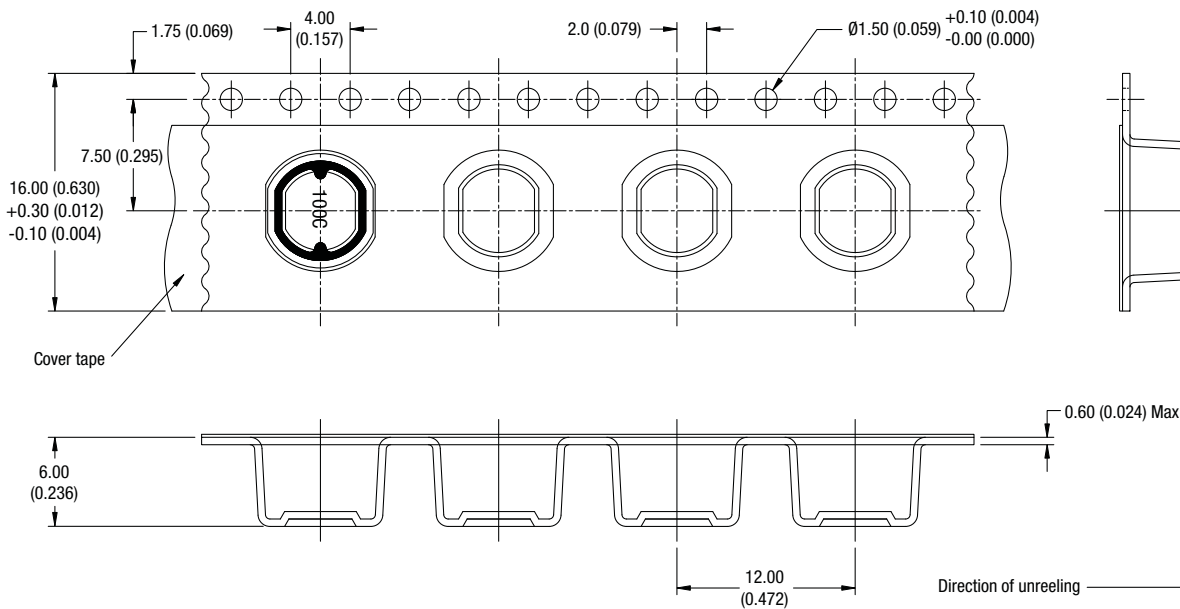
Unless otherwise stated all dimensions in mm (inches) ±0.25 (0.01). Package Weight 0.72g Typ.

TAPE & REEL SPECIFICATIONS

TAPE OUTLINE DIMENSIONS - UNSHIELDED PARTS

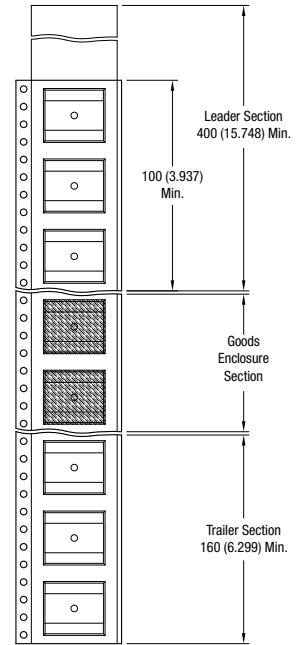
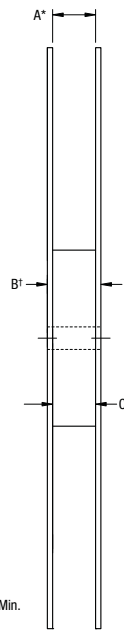
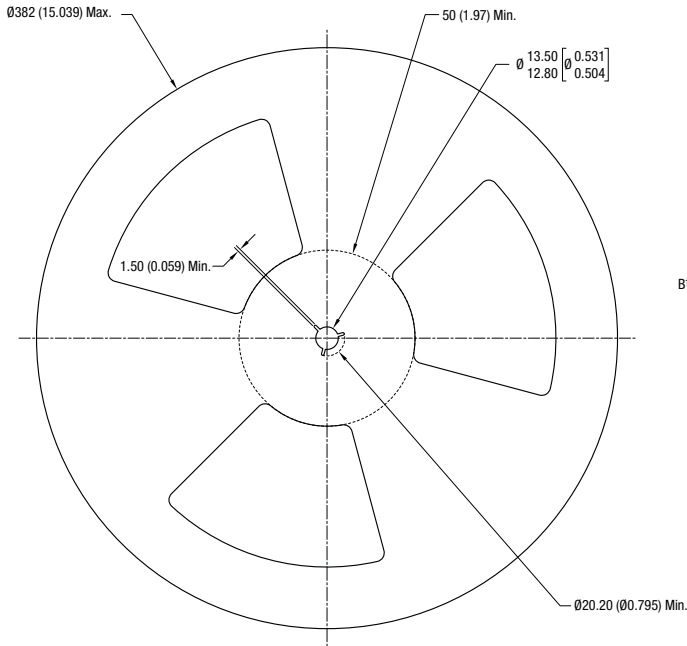


TAPE OUTLINE DIMENSIONS - SHIELDED PARTS



TAPE & REEL SPECIFICATIONS

REEL OUTLINE DIMENSIONS



All dimension in mm [inches]
 * Includes flange distortion at outer edge
 † Measured at hub

| | A | B (Max.) | C |
|------------------|-------------------------|--------------|-------------------------|
| Unshielded Types | 11.9-15.4 (0.469-0.606) | 18.4 (0.724) | 12.4-12.6 (0.488-0.496) |
| Shielded Types | 15.9-19.4 (0.626-0.764) | 22.4 (0.882) | 16.4-16.6 (0.646-0.654) |

Murata Power Solutions, Inc.
 11 Cabot Boulevard, Mansfield, MA 02048-1151 U.S.A.
 ISO 9001 and 14001 REGISTERED

Murata Power Solutions, Inc. makes no representation that the use of its products in the circuits described herein, or the use of other technical information contained herein, will not infringe upon existing or future patent rights. The descriptions contained herein do not imply the granting of licenses to make, use, or sell equipment constructed in accordance therewith. Specifications are subject to change without notice. © 2011 Murata Power Solutions, Inc.