



### FEATURES

- RoHS compliant
- Up to 2.1A I<sub>DC</sub>
- 2.2μH to 220μH
- Optional integral EMI shield
- Low R<sub>DC</sub>
- Surface mount
- Compact size
- Tape and reel packaging
- J-STD-020C reflow
- Backward compatible with Sn/Pb soldering systems

### DESCRIPTION

The 2300 series is a range of bobbin-wound, surface-mount inductors designed for use in switching power supply, and power line filter circuits. The parts are suitable for any application requiring a high saturation current in a miniature surface-mount footprint. Where EMI is a critical factor, the devices are available with an integral ferrite EMI shield.

### SELECTION GUIDE (UNSHIELDED TYPES)

| Order Code    | Inductance<br>(1kHz, 100mV <sub>AC</sub> ) | Inductance Range<br>(1kHz, 100mV <sub>AC</sub> ) | DC Current <sup>1</sup> | DC Resistance |
|---------------|--|--|-------------------------|---------------|
|               | Nom.<br>μH                                 | Min. - Max.<br>μH                                | Max.<br>A               | Max.<br>Ω     |
|               | <b>232R2C</b>                              | 2.2  | 1.7 - 2.8               | 2.10          |
| <b>233R3C</b> | 3.3  | 2.3 - 3.9  | 1.80                    | 0.058         |
| <b>234R7C</b> | 4.7  | 3.6 - 6.0  | 1.48                    | 0.068         |
| <b>236R8C</b> | 6.8  | 5.1 - 8.6  | 1.22                    | 0.102         |
| <b>23100C</b> | 10   | 7.6 - 12.7                                       | 1.02                    | 0.138         |
| <b>23150C</b> | 15   | 11.3 - 18.9                                      | 0.86                    | 0.210         |
| <b>23220C</b> | 22   | 16.8 - 28.1                                      | 0.74                    | 0.361         |
| <b>23330C</b> | 33   | 24.6 - 41.0                                      | 0.64                    | 0.497         |
| <b>23470C</b> | 47   | 34.6 - 57.6                                      | 0.55                    | 0.683         |
| <b>23680C</b> | 68   | 51.0 - 85.0                                      | 0.49                    | 1.051         |
| <b>23101C</b> | 100  | 74.2 - 124                                       | 0.43                    | 1.281         |

### SELECTION GUIDE (SHIELDED TYPES)

| Order Code     | Inductance<br>(1kHz, 100mV <sub>AC</sub> ) | Inductance Range<br>(1kHz, 100mV <sub>AC</sub> ) | DC Current <sup>1</sup> | DC Resistance |
|----------------|--|--|-------------------------|---------------|
|                | Nom.<br>μH                                 | Min. - Max.<br>μH                                | Max.<br>A               | Max.<br>Ω     |
|                | <b>23S2R2C</b>                             | 2.2  | 1.8 - 3.0               | 2.10          |
| <b>23S3R3C</b> | 3.3  | 2.7 - 4.5  | 1.80                    | 0.031         |
| <b>23S4R7C</b> | 4.7  | 3.8 - 6.4  | 1.60                    | 0.044         |
| <b>23S6R8C</b> | 6.8  | 5.2 - 8.6  | 1.40                    | 0.064         |
| <b>23S100C</b> | 10   | 7.5 - 12.6                                       | 1.18                    | 0.087         |
| <b>23S120C</b> | 12   | 9.4 - 15.6                                       | 1.08                    | 0.107         |
| <b>23S150C</b> | 15   | 11.4 - 19.0                                      | 0.96                    | 0.131         |
| <b>23S180C</b> | 18   | 13.6 - 22.6                                      | 0.88                    | 0.143         |
| <b>23S220C</b> | 22   | 16.0 - 26.7                                      | 0.80                    | 0.175         |
| <b>23S270C</b> | 27   | 20.0 - 33.3                                      | 0.72                    | 0.218         |
| <b>23S330C</b> | 33   | 24.4 - 40.7                                      | 0.65                    | 0.241         |
| <b>23S390C</b> | 39   | 29.3 - 48.8                                      | 0.60                    | 0.370         |
| <b>23S470C</b> | 47   | 34.6 - 57.7                                      | 0.54                    | 0.460         |
| <b>23S560C</b> | 56   | 42.4 - 70.6                                      | 0.50                    | 0.509         |
| <b>23S680C</b> | 68   | 50.9 - 84.9                                      | 0.45                    | 0.641         |
| <b>23S101C</b> | 100  | 75.8 - 126                                       | 0.37                    | 0.782         |
| <b>23S151C</b> | 150  | 112 - 187  | 0.30                    | 1.190         |
| <b>23S221C</b> | 220  | 167 - 279  | 0.25                    | 2.280         |

### ABSOLUTE MAXIMUM RATINGS

|                                      |                |
|--------------------------------------|----------------|
| Operating free air temperature range | -40°C to 85°C  |
| Storage temperature range            | -40°C to 125°C |

### SOLDERING INFORMATION<sup>2</sup>

|                         |                |
|-------------------------|----------------|
| Peak reflow temperature | 250°C          |
| Pin finish              | Hot dipped tin |

Specifications typical at T<sub>A</sub> = 25°C

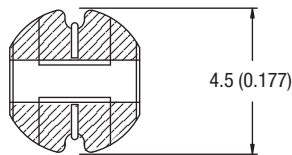
- 1 The maximum DC current is the value at which the inductance falls to 75% of its nominal value or when its temperature rise reaches 40°C, whichever is sooner.
- 2 For further information, please visit [www.murata-ps.com/rohs](http://www.murata-ps.com/rohs)



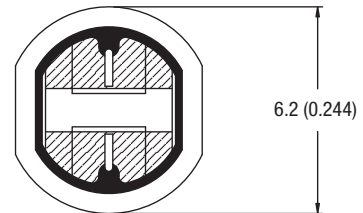
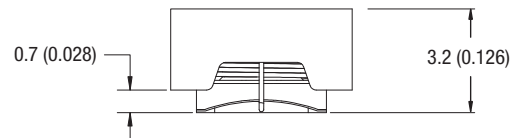
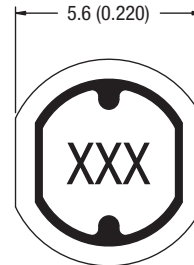
For full details go to  
[www.murata-ps.com/rohs](http://www.murata-ps.com/rohs)

**MECHANICAL DIMENSIONS**

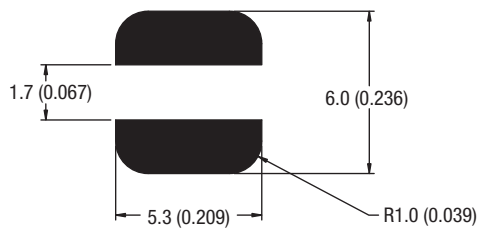
**UNSHIELDED TYPES**



**SHIELDED TYPES**

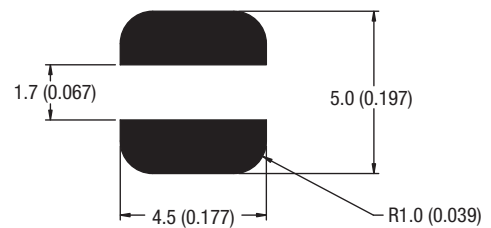


**RECOMMENDED FOOTPRINT**



Unless otherwise stated all dimensions in mm (inches)  $\pm 0.25$  (0.01).  
 Package Weight 0.20g Typ.  
 Hatching represents solder pads.

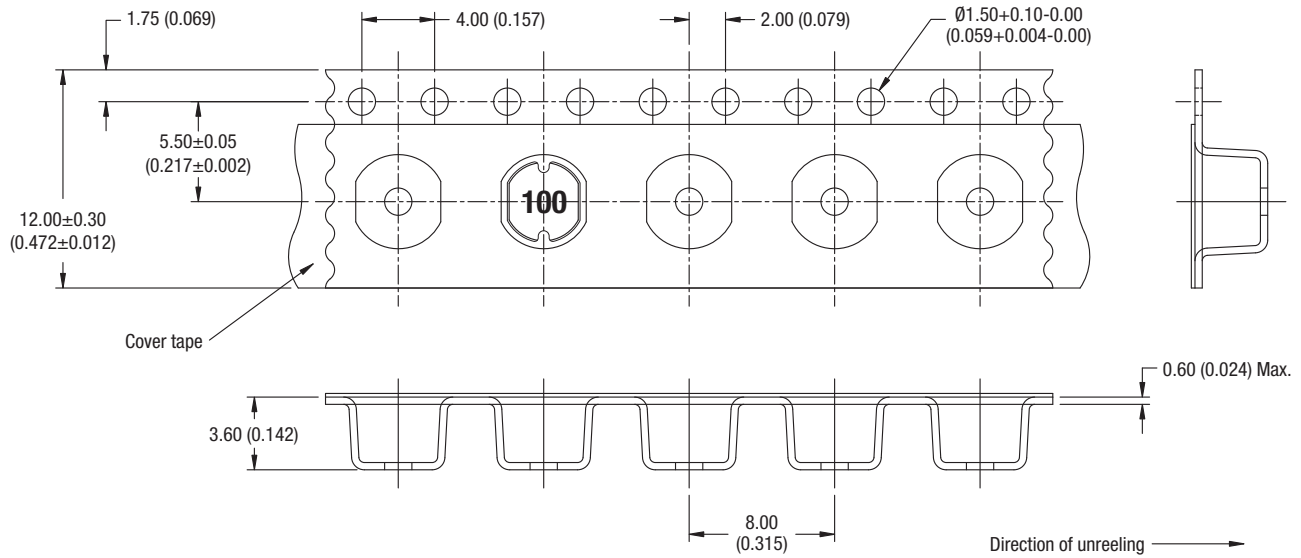
**RECOMMENDED FOOTPRINT**



Unless otherwise stated all dimensions in mm (inches)  $\pm 0.25$  (0.01).  
 Package Weight 0.34g Typ.  
 Hatching represents solder pads.

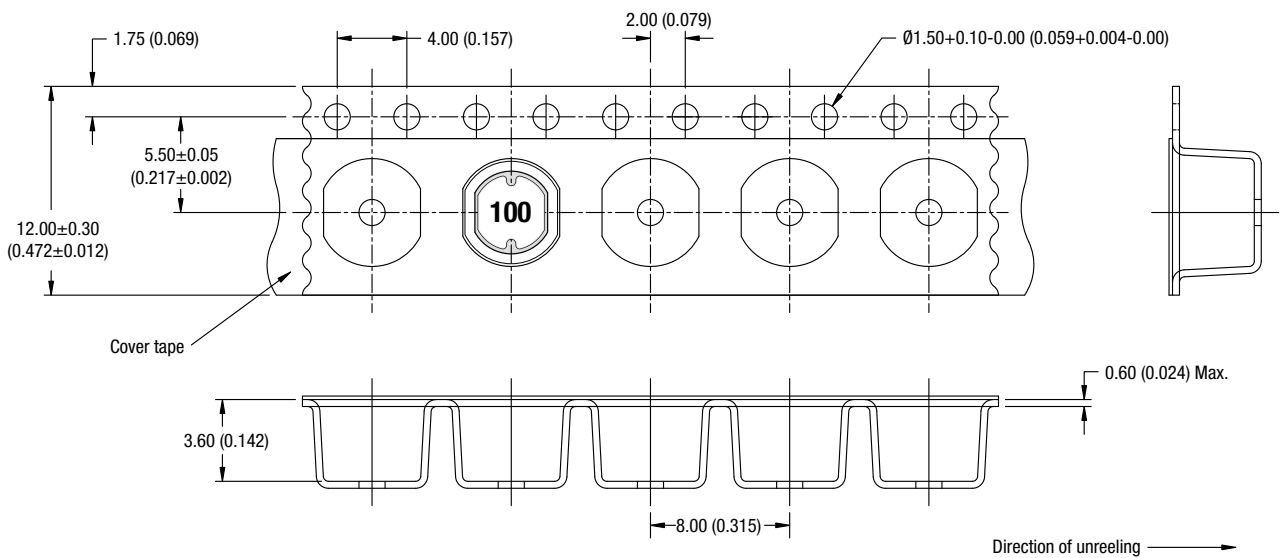
**TAPE & REEL SPECIFICATIONS**

**TAPE OUTLINE DIMENSIONS - UNSHIELDED PARTS**



All dimensions in mm (inches)

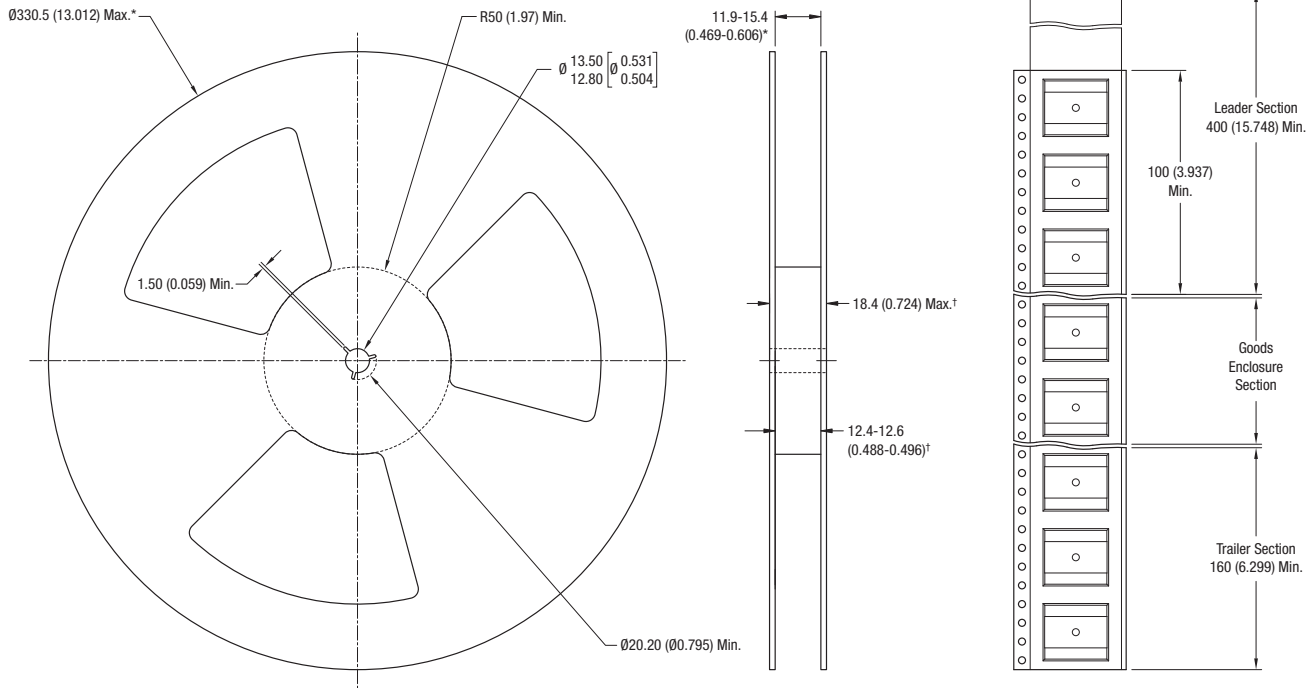
**TAPE OUTLINE DIMENSIONS - SHIELDED PARTS**



All dimensions in mm (inches)

**TAPE & REEL SPECIFICATIONS**

**REEL OUTLINE DIMENSIONS**



All dimension in mm (inches)  
 \* Includes flange distortion at outer edge  
 † Measured at hub

Murata Power Solutions, Inc.  
 11 Cabot Boulevard, Mansfield, MA 02048-1151 U.S.A.  
 ISO 9001 and 14001 REGISTERED

Murata Power Solutions, Inc. makes no representation that the use of its products in the circuits described herein, or the use of other technical information contained herein, will not infringe upon existing or future patent rights. The descriptions contained herein do not imply the granting of licenses to make, use, or sell equipment constructed in accordance therewith. Specifications are subject to change without notice.  
 © 2015 Murata Power Solutions, Inc.