



### FEATURES

- RoHS compliant
- Up to 3.1A I<sub>DC</sub>
- 2.7μH to 220μH
- Optional integral EMI shield
- Low R<sub>DC</sub>
- Surface mount
- Compact size
- Tape and reel packaging
- J-STD-020C reflow
- Backward compatible with Sn/Pb soldering systems

### DESCRIPTION

The 2400 series is a range of bobbin-wound, surface-mount inductors designed for use in switching power supply, and power line filter circuits. The parts are suitable for any application requiring a high saturation current in a miniature surface-mount footprint. Where EMI is a critical factor, the devices are available with an integral ferrite EMI shield.

### SELECTION GUIDE (UNSHIELDED TYPES)

Order Code	Inductance (1kHz, 100mV <sub>AC</sub> )	Inductance Range (1kHz, 100mV <sub>AC</sub> )	DC Current <sup>1</sup>	DC Resistance	SRF (100mV <sub>rms</sub> )
	Nom.	Min. - Max.	Max.	Max.	Nom.
	μH	μH	A	mΩ	MHz
<b>242R7C</b>	2.7	2.04 - 3.78	2.60	39	57.0
<b>243R3C</b>	3.3	2.44 - 4.54	2.40	42	53.0
<b>244R7C</b>	4.7	3.37 - 6.25	2.10	50	45.0
<b>246R8C</b>	6.8	5.03 - 9.34	1.75	61	37.0
<b>24100C</b>	10	8.00 - 12.0	1.44	100	27.8
<b>24120C</b>	12	8.54 - 15.9	1.36	100	26.0
<b>24150C</b>	15	12.0 - 18.0	1.30	120	22.0
<b>24180C</b>	18	13.0 - 24.1	1.26	150	20.0
<b>24220C</b>	22	17.6 - 26.4	1.11	180	16.5
<b>24330C</b>	33	28.1 - 34.7	0.88	230	13.1
<b>24470C</b>	47	40.8 - 54.1	0.72	370	10.9
<b>24680C</b>	68	61.2 - 74.8	0.61	460	9.38
<b>24101C</b>	100	90.0 - 110	0.52	700	7.03
<b>24151C</b>	150	135 - 165	0.40	1100	5.13
<b>24221C</b>	220	198 - 242	0.35	1570	4.24

### SELECTION GUIDE (SHIELDED TYPES)

Order Code	Inductance (1kHz, 100mV <sub>AC</sub> )	Inductance Range (1kHz, 100mV <sub>AC</sub> )	DC Current <sup>1</sup>	DC Resistance	SRF (100mV <sub>rms</sub> )
	Nom.	Min. - Max.	Max.	Max.	Nom.
	μH	μH	A	mΩ	MHz
<b>24S2R7C</b>	2.7	1.78 - 3.52	3.10	28	79.0
<b>24S3R3C</b>	3.3	2.07 - 4.68	2.80	32	63.0
<b>24S4R7C</b>	4.7	2.82 - 6.01	2.39	37	52.0
<b>24S6R8C</b>	6.8	4.40 - 9.17	2.00	45	39.0
<b>24S100C</b>	10	8.50 - 12.5	1.64	70	25.6
<b>24S120C</b>	12	7.65 - 15.2	1.50	74	29.0
<b>24S150C</b>	15	12.8 - 18.8	1.34	90	19.7
<b>24S180C</b>	18	11.1 - 22.7	1.22	91	23.0
<b>24S220C</b>	22	18.7 - 27.5	1.10	120	15.7
<b>24S330C</b>	33	28.1 - 41.3	0.90	190	11.2
<b>24S470C</b>	47	40.0 - 58.8	0.75	240	10.2
<b>24S680C</b>	68	57.8 - 85.0	0.63	370	8.09
<b>24S101C</b>	100	85.0 - 120	0.52	540	6.2
<b>24S151C</b>	150	128 - 180	0.42	860	4.88
<b>24S221C</b>	220	187 - 264	0.35	1310	3.58

### ABSOLUTE MAXIMUM RATINGS

Operating free air temperature range	-40°C to 85°C
Storage temperature range	-40°C to 125°C

### SOLDERING INFORMATION<sup>2</sup>

Peak reflow temperature	250°C
Pin finish	Hot dipped tin

Specifications typical at T<sub>a</sub> = 25°C

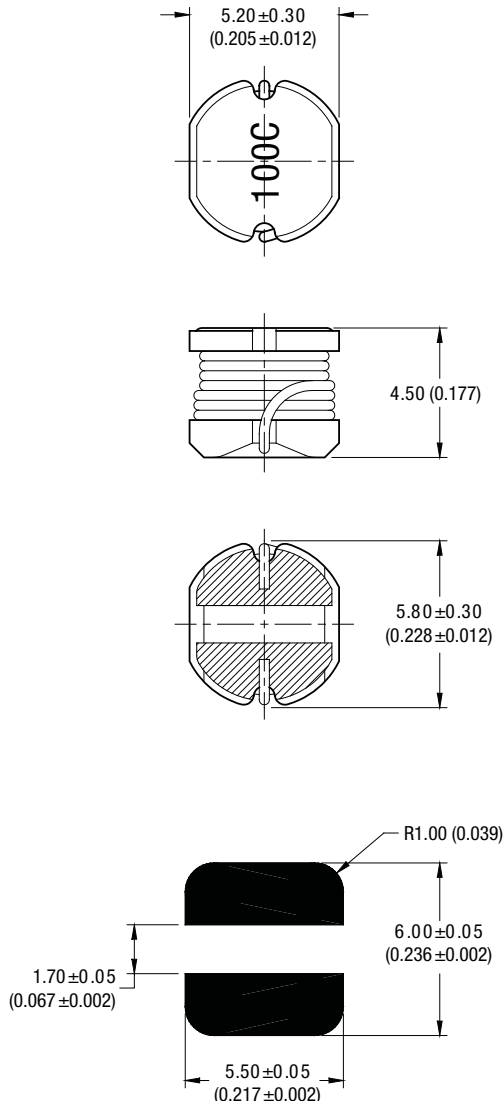
1 The maximum DC current is the value at which the inductance falls to 80% of its nominal value or when its temperature rise reaches 40°C, whichever is sooner.

2 For further information, please visit [www.murata-ps.com/rohs](http://www.murata-ps.com/rohs)



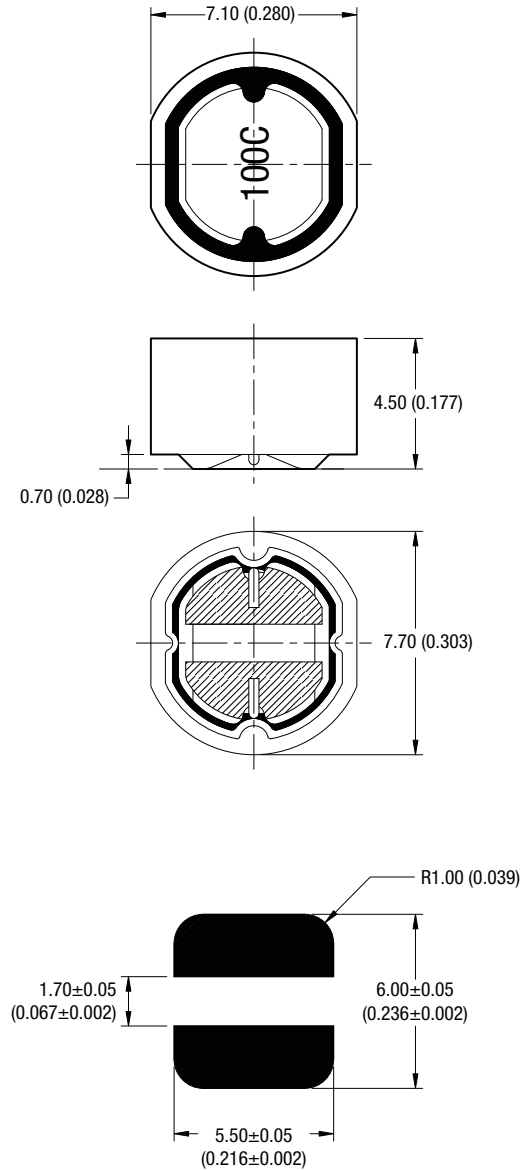
**MECHANICAL DIMENSIONS**

**UNSHIELDED TYPES**



Unless otherwise stated all dimensions in mm (inches) ±0.25 (0.01). Package Weight 0.43g Typ.

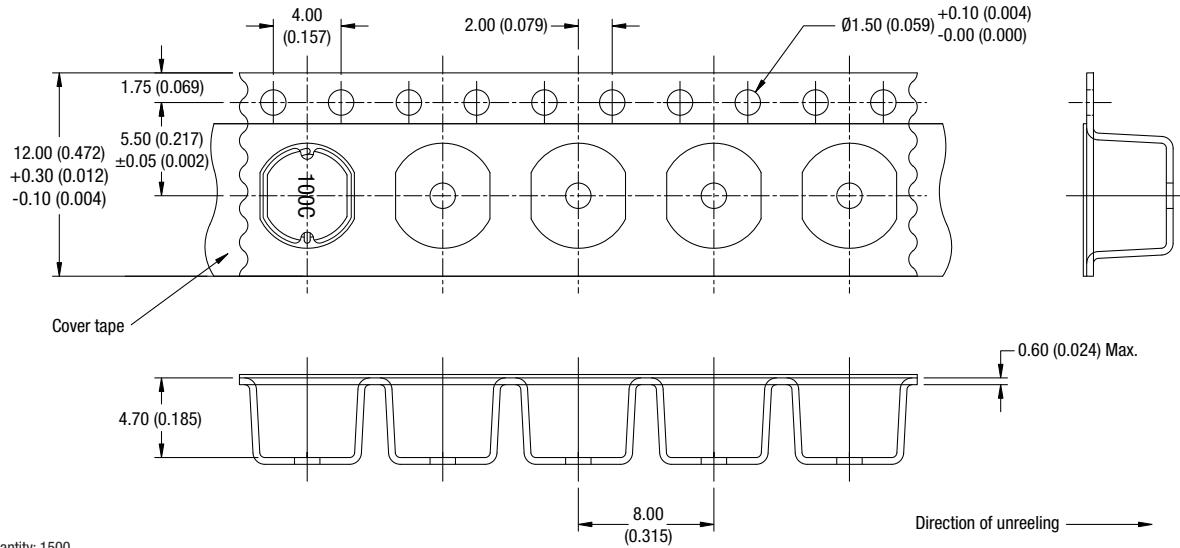
**SHIELDED TYPES**



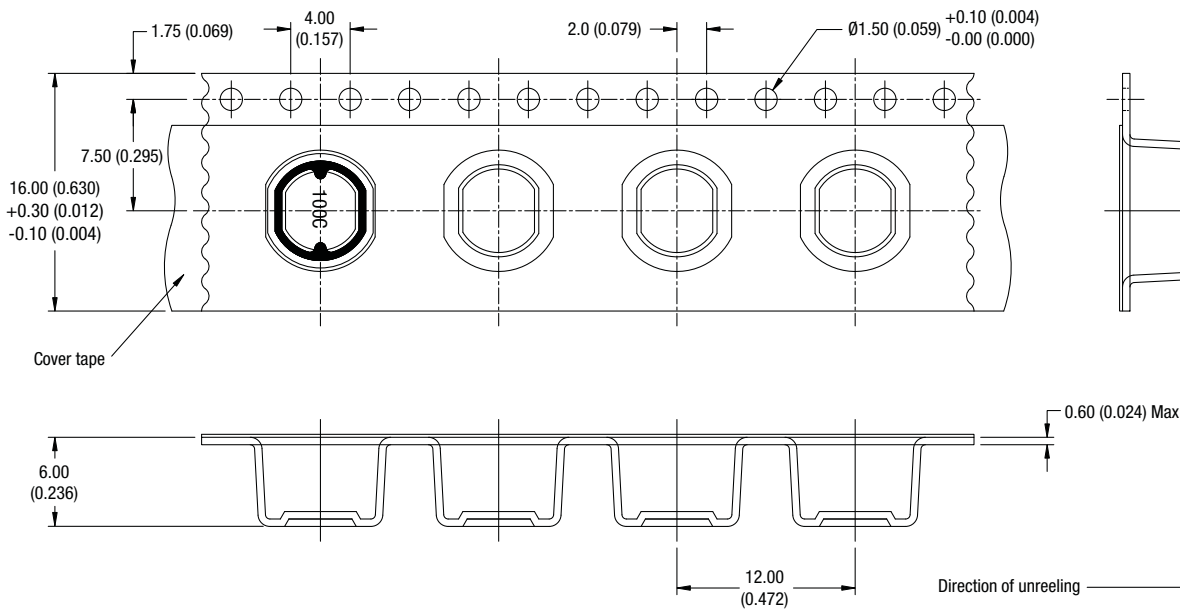
Unless otherwise stated all dimensions in mm (inches) ±0.25 (0.01). Package Weight 0.72g Typ.

**TAPE & REEL SPECIFICATIONS**

**TAPE OUTLINE DIMENSIONS - UNSHIELDED PARTS**

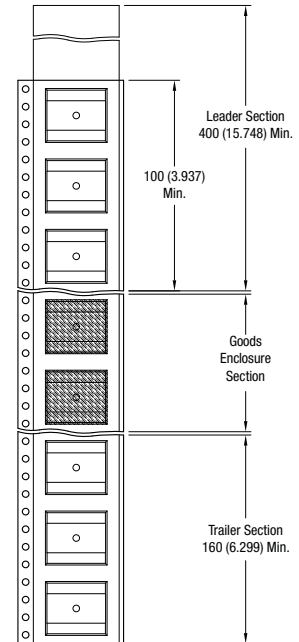
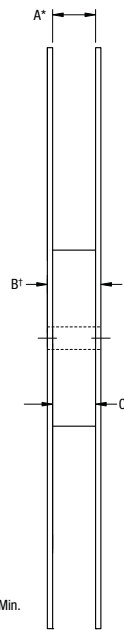
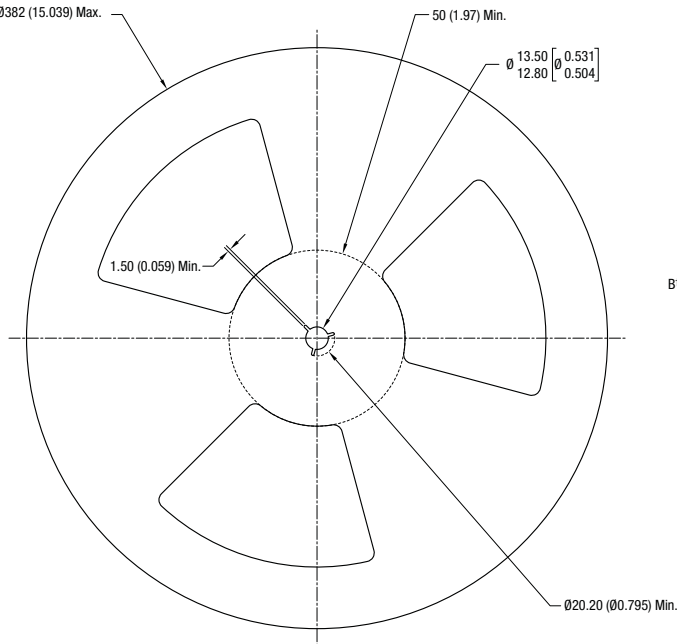


**TAPE OUTLINE DIMENSIONS - SHIELDED PARTS**



**TAPE & REEL SPECIFICATIONS**

**REEL OUTLINE DIMENSIONS**



All dimension in mm [inches]  
 \* Includes flange distortion at outer edge  
 † Measured at hub

	<b>A</b>	<b>B (Max.)</b>	<b>C</b>
Unshielded Types	11.9-15.4 (0.469-0.606)	18.4 (0.724)	12.4-12.6 (0.488-0.496)
Shielded Types	15.9-19.4 (0.626-0.764)	22.4 (0.882)	16.4-16.6 (0.646-0.654)

Murata Power Solutions, Inc.  
 11 Cabot Boulevard, Mansfield, MA 02048-1151 U.S.A.  
 ISO 9001 and 14001 REGISTERED

Murata Power Solutions, Inc. makes no representation that the use of its products in the circuits described herein, or the use of other technical information contained herein, will not infringe upon existing or future patent rights. The descriptions contained herein do not imply the granting of licenses to make, use, or sell equipment constructed in accordance therewith. Specifications are subject to change without notice. © 2011 Murata Power Solutions, Inc.