



### FEATURES

- RoHS compliant
- Radial format
- -40°C to 85°C operating temperature
- Up to 13A ldc
- 10µH to 22mH
- Low DC resistance
- Fully tinned leads
- PCB mounting hole
- Low temperature dependence
- Backward compatible with Sn/Pb soldering systems
- Custom parts available

### DESCRIPTION

The 1400 Series is suitable for many power supply and other general purpose filtering applications. The use of a non-magnetic screw will ensure mechanical stability.



For full details go to  
[www.murata-ps.com/rohs](http://www.murata-ps.com/rohs)

### SELECTION GUIDE

| Order Code | Inductance,<br>(1kHz, 0.1V <sub>AC</sub> ) | DC<br>Current <sup>1</sup> | DC<br>Resistance | Q at f kHz |     | SRF  | Mechanical Dimensions |      |      |      |     | Footprint |     |
|------------|--|----------------------------|------------------|------------|-----|------|-----------------------|------|------|------|-----|-----------|-----|
|            | ±10%                                       | Max.                       | Max.             | Nom.       |     | Nom. | a                     | b    | c    | d    | Øe  | f         | Øg  |
|            | µH   | A                          | Ω                | Q          | f   | MHz  | mm                    |      |      |      |     | mm        |     |
| 1410313C   | 10 ±15%                                    | 13                         | 0.009            | 54         | 50  | 20.7 | 27.0                  | 24.4 | 14.0 | 1.30 | 5.5 | 23.9      | 2.6 |
| 1415312C   | 15 ±15%                                    | 12                         | 0.009            | 42         | 50  | 12.7 | 27.0                  | 24.4 | 14.0 | 1.30 | 5.5 | 23.9      | 2.6 |
| 1422311C   | 22 ±15%                                    | 11                         | 0.014            | 64         | 100 | 9.3  | 27.0                  | 24.4 | 14.0 | 1.30 | 5.5 | 23.9      | 2.6 |
| 1433393C   | 33 ±15%                                    | 9.3                        | 0.017            | 27         | 50  | 9.1  | 27.0                  | 24.4 | 14.0 | 1.30 | 5.5 | 23.9      | 2.6 |
| 1447383C   | 47 ±15%                                    | 8.3                        | 0.019            | 40         | 100 | 6.0  | 27.0                  | 24.4 | 18.5 | 1.30 | 5.5 | 23.9      | 2.6 |
| 1447385C   | 47 ±15%                                    | 8.5                        | 0.021            | 33         | 100 | 6.7  | 26.8                  | 24.4 | 14.0 | 1.20 | 5.5 | 23.8      | 2.4 |
| 1468362C   | 68 ±15%                                    | 6.2                        | 0.032            | 32         | 100 | 5.3  | 26.5                  | 24.4 | 14.0 | 1.08 | 5.5 | 23.7      | 2.1 |
| 1468373C   | 68 ±15%                                    | 7.3                        | 0.025            | 45         | 100 | 5.3  | 27.0                  | 24.4 | 18.5 | 1.30 | 5.5 | 23.9      | 2.6 |
| 1410454C   | 100  | 5.4                        | 0.046            | 24         | 100 | 4.6  | 26.4                  | 24.4 | 14.0 | 1.02 | 5.5 | 23.6      | 2.0 |
| 1410460C   | 100  | 6.0                        | 0.033            | 37         | 100 | 3.9  | 26.8                  | 24.4 | 18.5 | 1.20 | 5.5 | 23.8      | 2.4 |
| 1410478C   | 100  | 7.8                        | 0.040            | 34         | 50  | 3.3  | 32.4                  | 29.8 | 21.8 | 1.30 | 5.1 | 29.3      | 2.6 |
| 1415440C   | 150  | 4.0                        | 0.069            | 24         | 50  | 3.4  | 26.2                  | 24.4 | 14.0 | 0.90 | 5.5 | 23.5      | 1.8 |
| 1415449C   | 150  | 4.9                        | 0.055            | 34         | 50  | 2.9  | 26.4                  | 24.4 | 18.5 | 1.02 | 5.5 | 23.6      | 2.0 |
| 1415465C   | 150  | 6.5                        | 0.042            | 46         | 100 | 2.4  | 32.2                  | 29.8 | 21.8 | 1.20 | 5.1 | 29.2      | 2.4 |
| 1422435C   | 220  | 3.5                        | 0.096            | 22         | 50  | 2.8  | 26.1                  | 24.4 | 14.0 | 0.85 | 5.5 | 23.5      | 1.7 |
| 1422441C   | 220  | 4.1                        | 0.073            | 33         | 100 | 2.3  | 26.3                  | 24.4 | 18.5 | 0.97 | 5.5 | 23.6      | 1.9 |
| 1422455C   | 220  | 5.5                        | 0.062            | 30         | 50  | 2.2  | 32.1                  | 29.8 | 21.8 | 1.14 | 5.1 | 29.1      | 2.2 |
| 1430430C   | 300  | 3.0                        | 0.140            | 26         | 50  | 2.6  | 25.9                  | 24.4 | 14.0 | 0.75 | 5.5 | 23.4      | 1.5 |
| 1430433C   | 300  | 3.3                        | 0.100            | 37         | 50  | 2.2  | 26.2                  | 24.4 | 18.5 | 0.90 | 5.5 | 23.5      | 1.8 |
| 1430450C   | 300  | 5.0                        | 0.080            | 28         | 50  | 1.7  | 31.8                  | 29.8 | 21.8 | 1.02 | 5.1 | 29.0      | 2.0 |
| 1433428C   | 330  | 2.8                        | 0.150            | 22         | 50  | 2.5  | 25.9                  | 24.4 | 14.0 | 0.76 | 5.5 | 23.4      | 1.5 |
| 1433433C   | 330  | 3.3                        | 0.120            | 29         | 50  | 2.0  | 26.2                  | 24.4 | 18.5 | 0.90 | 5.5 | 23.5      | 1.8 |
| 1433445C   | 330  | 4.5                        | 0.091            | 25         | 50  | 1.6  | 31.8                  | 29.8 | 21.8 | 1.02 | 5.1 | 29.0      | 2.0 |
| 1447423C   | 470  | 2.3                        | 0.250            | 34         | 50  | 2.0  | 25.7                  | 24.4 | 14.0 | 0.67 | 5.5 | 23.3      | 1.3 |
| 1447427C   | 470  | 2.7                        | 0.160            | 25         | 50  | 1.6  | 26.1                  | 24.4 | 18.5 | 0.85 | 5.5 | 23.5      | 1.7 |
| 1447440C   | 470  | 4.0                        | 0.125            | 24         | 50  | 1.4  | 31.7                  | 29.8 | 21.8 | 0.97 | 5.1 | 29.0      | 1.9 |
| 1468420C   | 680  | 2.0                        | 0.300            | 23         | 50  | 1.6  | 25.7                  | 24.4 | 14.0 | 0.67 | 5.5 | 23.3      | 1.3 |
| 1468422C   | 680  | 2.2                        | 0.226            | 28         | 50  | 1.3  | 25.9                  | 24.4 | 18.5 | 0.75 | 5.5 | 23.4      | 1.5 |
| 1468431C   | 680  | 3.1                        | 0.173            | 60         | 10  | 1.0  | 31.6                  | 29.8 | 21.8 | 0.90 | 5.1 | 28.9      | 1.8 |
| 1410516C   | 1.0mH                                      | 1.6                        | 0.460            | 30         | 50  | 1.4  | 25.6                  | 24.4 | 14.0 | 0.60 | 5.5 | 23.2      | 1.2 |
| 1410517C   | 1.0mH                                      | 1.7                        | 0.336            | 35         | 50  | 1.2  | 25.7                  | 24.4 | 18.5 | 0.67 | 5.5 | 23.3      | 1.3 |
| 1410524C   | 1.0mH                                      | 2.4                        | 0.277            | 33         | 50  | 1.0  | 31.4                  | 29.8 | 21.8 | 0.79 | 5.1 | 28.8      | 1.5 |
| 1415513C   | 1.5mH                                      | 1.3                        | 0.680            | 34         | 50  | 1.0  | 25.5                  | 24.4 | 14.0 | 0.54 | 5.5 | 23.1      | 1.0 |
| 1415514C   | 1.5mH                                      | 1.4                        | 0.550            | 47         | 50  | 0.8  | 25.6                  | 24.4 | 18.5 | 0.60 | 5.5 | 23.2      | 1.2 |
| 1415517C   | 1.5mH                                      | 1.7                        | 0.374            | 28         | 50  | 0.7  | 31.3                  | 29.8 | 21.8 | 0.75 | 5.1 | 28.8      | 1.5 |
| 1422509C   | 2.2mH                                      | 0.9                        | 1.000            | 43         | 50  | 0.9  | 25.3                  | 24.4 | 14.0 | 0.48 | 5.5 | 23.1      | 0.9 |
| 1422512C   | 2.2mH                                      | 1.2                        | 0.700            | 33         | 50  | 0.7  | 25.6                  | 24.4 | 18.5 | 0.60 | 5.5 | 23.2      | 1.2 |
| 1422514C   | 2.2mH                                      | 1.4                        | 0.622            | 33         | 50  | 0.6  | 31.1                  | 29.8 | 21.8 | 0.67 | 5.1 | 28.7      | 1.3 |
| 1433507C   | 3.3mH                                      | 0.7                        | 1.428            | 45         | 50  | 0.8  | 25.2                  | 24.4 | 14.0 | 0.43 | 5.5 | 23.0      | 0.8 |
| 1433510C   | 3.3mH                                      | 1.0                        | 1.992            | 20         | 50  | 0.7  | 25.5                  | 24.4 | 18.5 | 0.54 | 5.5 | 23.1      | 1.0 |
| 1433512C   | 3.3mH                                      | 1.2                        | 0.930            | 20         | 50  | 0.5  | 31.0                  | 29.8 | 21.8 | 0.60 | 5.1 | 28.6      | 1.2 |
| 1447506C   | 4.7mH                                      | 0.6                        | 2.200            | 60         | 50  | 0.6  | 25.2                  | 24.4 | 14.0 | 0.39 | 5.5 | 23.0      | 0.7 |
| 1447508C   | 4.7mH                                      | 0.8                        | 1.600            | 65         | 50  | 0.5  | 25.3                  | 24.4 | 18.5 | 0.48 | 5.5 | 23.1      | 0.9 |
| 1447509C   | 4.7mH                                      | 0.9                        | 1.400            | 57         | 10  | 0.5  | 30.9                  | 29.8 | 21.8 | 0.54 | 5.1 | 28.5      | 1.0 |
| 1468505C   | 6.8mH                                      | 0.5                        | 2.880            | 50         | 50  | 0.5  | 25.2                  | 24.4 | 14.0 | 0.39 | 5.5 | 23.0      | 0.7 |
| 1468507C   | 6.8mH                                      | 0.7                        | 2.300            | 47         | 50  | 0.4  | 25.2                  | 24.4 | 18.5 | 0.43 | 5.5 | 23.0      | 0.8 |
| 1468508C   | 6.8mH                                      | 0.8                        | 2.100            | 30         | 50  | 0.4  | 30.7                  | 29.8 | 21.8 | 0.48 | 5.1 | 28.5      | 0.9 |
| 1410604C   | 10mH                                       | 0.4                        | 4.340            | 51         | 50  | 0.4  | 25.1                  | 24.4 | 14.0 | 0.34 | 5.5 | 22.9      | 0.6 |
| 1410605C   | 10mH                                       | 0.5                        | 3.600            | 48         | 50  | 0.3  | 25.2                  | 24.4 | 18.5 | 0.39 | 5.5 | 23.0      | 0.7 |
| 1410606C   | 10mH                                       | 0.6                        | 2.600            | 48         | 50  | 0.2  | 30.9                  | 29.8 | 21.8 | 0.54 | 5.1 | 28.5      | 1.0 |
| 1415604C   | 15mH                                       | 0.4                        | 5.500            | 61         | 10  | 0.2  | 25.1                  | 24.4 | 18.5 | 0.34 | 5.5 | 22.9      | 0.6 |
| 1415605C   | 15mH                                       | 0.5                        | 3.740            | 55         | 10  | 0.2  | 30.6                  | 29.8 | 21.8 | 0.43 | 5.1 | 28.4      | 0.8 |
| 1422604C   | 22mH                                       | 0.4                        | 6.962            | 30         | 50  | 0.2  | 30.5                  | 29.8 | 21.8 | 0.34 | 5.1 | 28.3      | 0.6 |

<sup>1</sup> Maximum DC current occurs when either the inductance falls to 60% of its nominal value or when its temperature rise reaches 50°C, whichever is sooner.

### SOLDERING INFORMATION<sup>2</sup>

|                              |                      |
|------------------------------|----------------------|
| Peak wave solder temperature | 300°C for 10 seconds |
| Pin finish                   | Pure tin dip         |

### ABSOLUTE MAXIMUM RATINGS

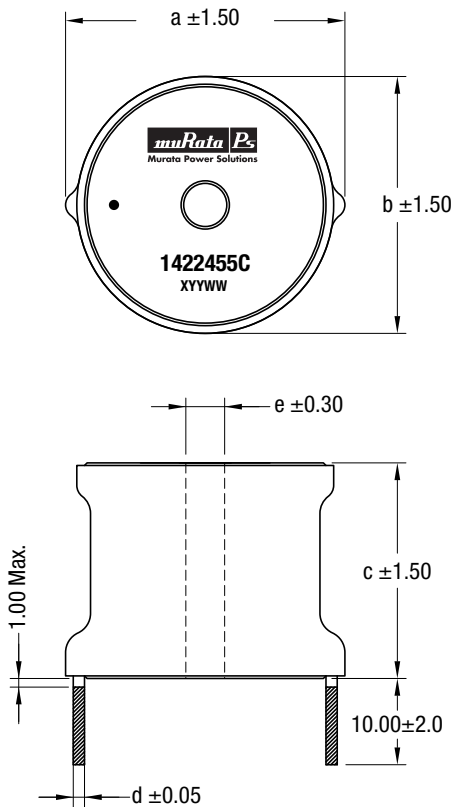
|                                      |                |
|--------------------------------------|----------------|
| Operating free air temperature range | -40°C to 85°C  |
| Storage temperature range            | -55°C to 125°C |

All specifications typical at  $T_A=25^\circ\text{C}$

2 For further information, please visit [www.murata-ps.com/rohs](http://www.murata-ps.com/rohs)

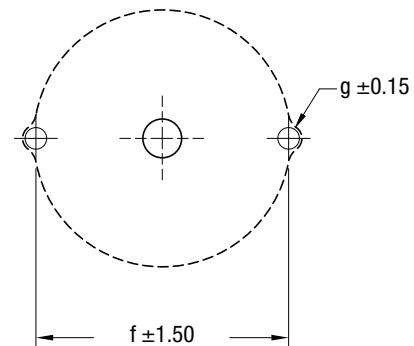
### PACKAGE SPECIFICATIONS

#### MECHANICAL DIMENSIONS



All dimensions in mm.  
 Package weight: 30-65g Typ.  
 Dot indicates the innermost turn of the winding.

#### RECOMMENDED FOOTPRINT DETAILS



All dimensions in mm

#### PACKAGING DETAILS

|                        |               |
|------------------------|---------------|
| 21.8mm height products | 15 per carton |
| All other products     | 25 per carton |

Murata Power Solutions, Inc.  
 11 Cabot Boulevard, Mansfield, MA 02048-1151 U.S.A.  
 ISO 9001 and 14001 REGISTERED

Murata Power Solutions, Inc. makes no representation that the use of its products in the circuits described herein, or the use of other technical information contained herein, will not infringe upon existing or future patent rights. The descriptions contained herein do not imply the granting of licenses to make, use, or sell equipment constructed in accordance therewith. Specifications are subject to change without notice.  
 © 2012 Murata Power Solutions, Inc.