

## FEATURES

- RoHS compliant
- Radial format
- Up to 7.8A lcc
- 4.7μH to 100mH
- Low DC resistance
- PCB mounting
- Fully tinned leads
- Compatible with RoHS soldering systems
- Backward compatible with Sn/Pb soldering systems
- Custom parts available

## DESCRIPTION

The 1900R Series is a general purpose range of inductors suitable for low to medium current applications such as power supply and other general purpose filtering designs.

## SELECTION GUIDE

Order Code	Inductance, (1kHz, 0.1V <sub>AC</sub> )	DC Current <sup>1</sup>		DC Resistance	
		±10%	Max.	Max.	Max.
	μH	A	Ω	Ω	
19R472C	4.7 ±20%	7.8	0.008		
19R682C	6.8 ±20%	6.7	0.011		
19R103C	10	6.0	0.017		
19R153C	15	4.8	0.022		
19R223C	22	4.0	0.026		
19R333C	33	3.7	0.032		
19R473C	47	3.4	0.038		
19R683C	68	2.9	0.055		
19R104C	100	2.2	0.090		
19R154C	150	1.9	0.129		
19R224C	220	1.6	0.162		
19R334C	330	1.34	0.240		
19R474C	470	1.09	0.380		
19R684C	680	0.91	0.548		
19R105C	1.0mH	0.73	0.844		
19R155C	1.5mH	0.63	1.2		
19R225C	2.2mH	0.50	2.0		
19R335C	3.3mH	0.42	2.5		
19R475C	4.7mH	0.35	3.5		
19R685C	6.8mH	0.29	5.7		
19R106C	10mH	0.23	7.3		
19R156C	15mH	0.19	12		
19R226C	22mH	0.15	22		
19R336C	33mH	0.13	26		
19R476C	47mH	0.11	36		
19R686C	68mH	0.09	57		
19R107C	100mH	0.07	90		

## ABSOLUTE MAXIMUM RATINGS

Operating free air temperature range	-40°C to +95°C
Storage temperature range	-40°C to +125°C

## SOLDERING INFORMATION<sup>2</sup>

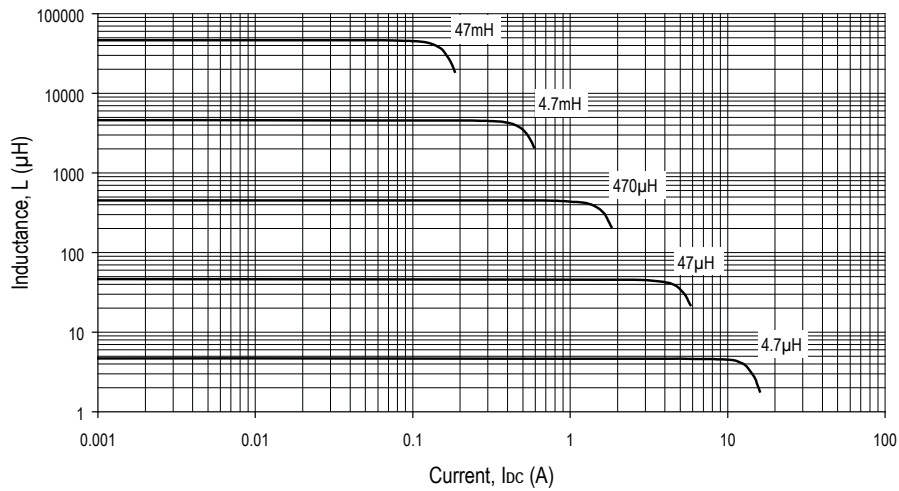
Peak wave solder temperature	260°C for 10 seconds
Pin finish	Bright tin

All specifications typical at T<sub>a</sub>=25°C

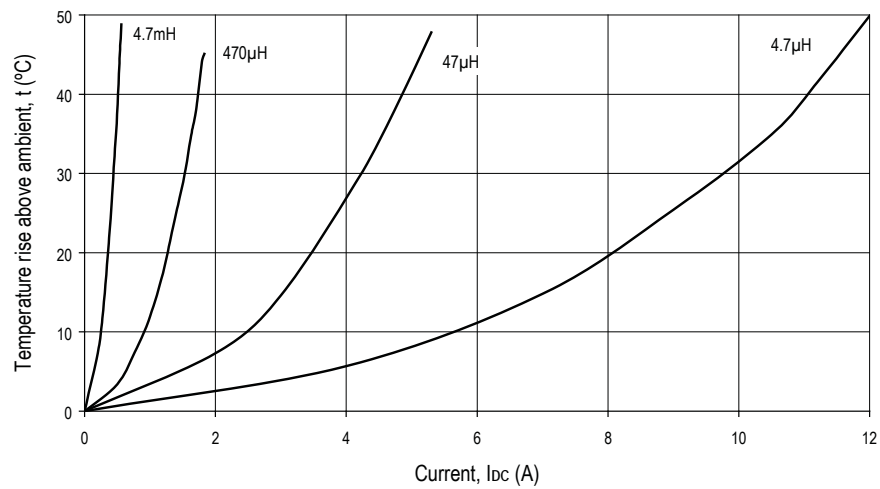
- 1 Maximum DC current occurs when either the inductance falls to 90% of its nominal value or when its temperature rise reaches 30°C, whichever is sooner.
- 2 For further information, please visit [www.murata-ps.com/rohs](http://www.murata-ps.com/rohs)



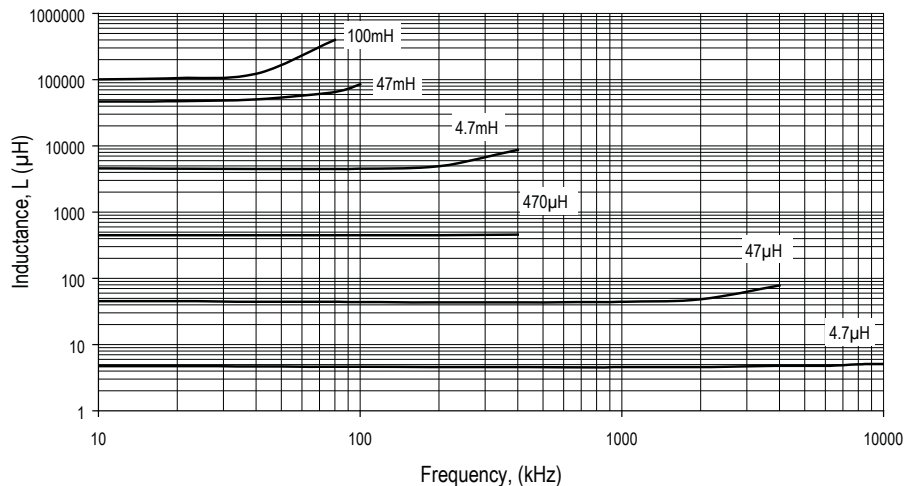
**INDUCTANCE Vs CURRENT**



**TEMPERATURE Vs CURRENT**

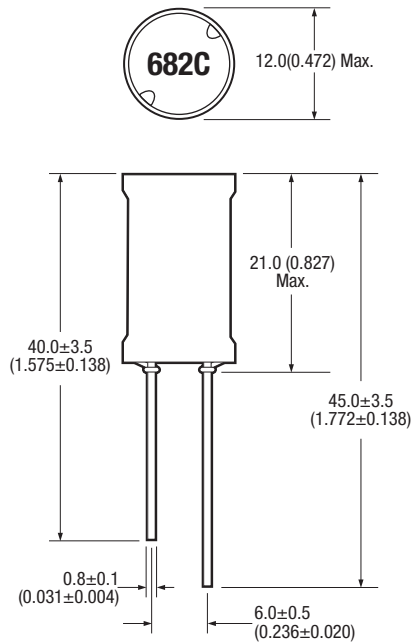


**INDUCTANCE Vs FREQUENCY**

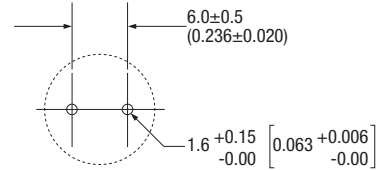


## PACKAGE SPECIFICATIONS

### MECHANICAL DIMENSIONS



### RECOMMENDED FOOTPRINT DETAILS



### PACKAGING DETAILS

Supplied in cartons (80 pieces per carton)