

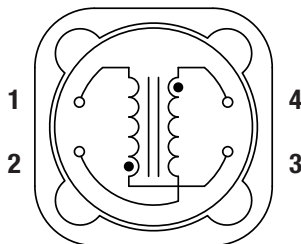
FEATURES

- RoHS compliant
- 2.2μH to 880μH¹
- Up to 9.5A I_{DC}
- Bobbin format
- Dual winding
- Surface mount
- Integral EMI shield
- Compact size
- Tape and reel packaging
- No voltage breakdown at 500V_{DC}
- J-STD-020C reflow
- Backward compatible with Sn/Pb soldering systems

DESCRIPTION

The 4900 series is a range of dual wound inductors offering flexible options. Windings have a 1:1 ratio and can be connected in series or parallel to create a wide range of inductance combinations. The secondary winding could be used as a feedback winding in switched mode power supplies.

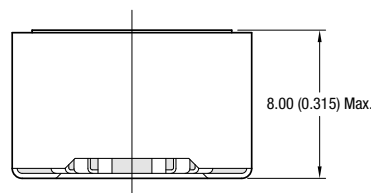
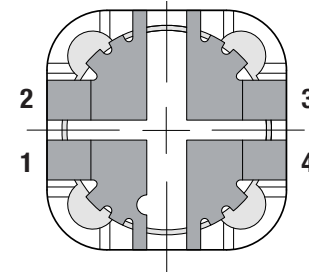
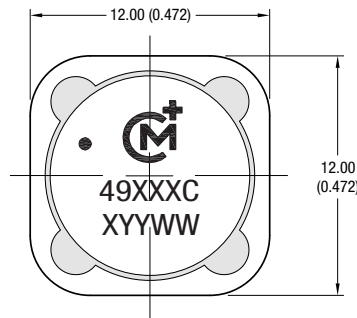
PIN CONNECTIONS (TOP VIEW)



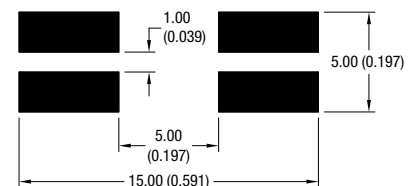
3 & 1 = Primary winding
4 & 2 = Secondary winding

| Order Code | Inductance ¹ (10kHz, 100mV _{AC}) 1&3, 2&4 | Inductance Range (10kHz, 100mV _{AC}) 1&3, 2&4 | DC Current ² (parallel connection) | DC Resistance |
|------------|--|---|--|---------------|
| | Nom. | Min. - Max. | Max. | Max. |
| | μH | μH | A | mΩ |
| 492R2C | 2.2 | 1.77 - 2.65 | 9.50 | 12.6 |
| 493R3C | 3.3 | 2.47 - 3.70 | 7.80 | 14.9 |
| 494R7C | 4.7 | 3.29 - 4.93 | 6.50 | 17.1 |
| 496R8C | 6.8 | 5.27 - 7.91 | 5.40 | 27.0 |
| 49100C | 10 | 7.70 - 11.6 | 4.50 | 41.0 |
| 49150C | 15 | 10.6 - 16.0 | 3.70 | 53.0 |
| 49220C | 22 | 15.9 - 23.8 | 3.00 | 81.0 |
| 49330C | 33 | 24.5 - 36.8 | 2.50 | 128 |
| 49470C | 47 | 35.1 - 52.6 | 2.10 | 191 |
| 49680C | 68 | 50.8 - 76.2 | 1.71 | 233 |
| 49101C | 100 | 73.6 - 110 | 1.41 | 343 |
| 49151C | 150 | 111 - 166 | 1.15 | 529 |
| 49221C | 220 | 167 - 251 | 0.95 | 805 |

MECHANICAL DIMENSIONS



Recommended Footprint Details



All dimensions in mm (inches). Package weight: 4g Typ.

ABSOLUTE MAXIMUM RATINGS

| | |
|---|--------------------|
| Isolation voltage (flash tested for 1 second), pins 3 & 4 | 500V _{DC} |
| Operating free air temperature range | -40°C to 85°C |
| Storage temperature range | -40°C to 125°C |

SOLDERING INFORMATION³

| | |
|-------------------------|-------|
| Peak reflow temperature | 245°C |
| Pin finish | Tin |

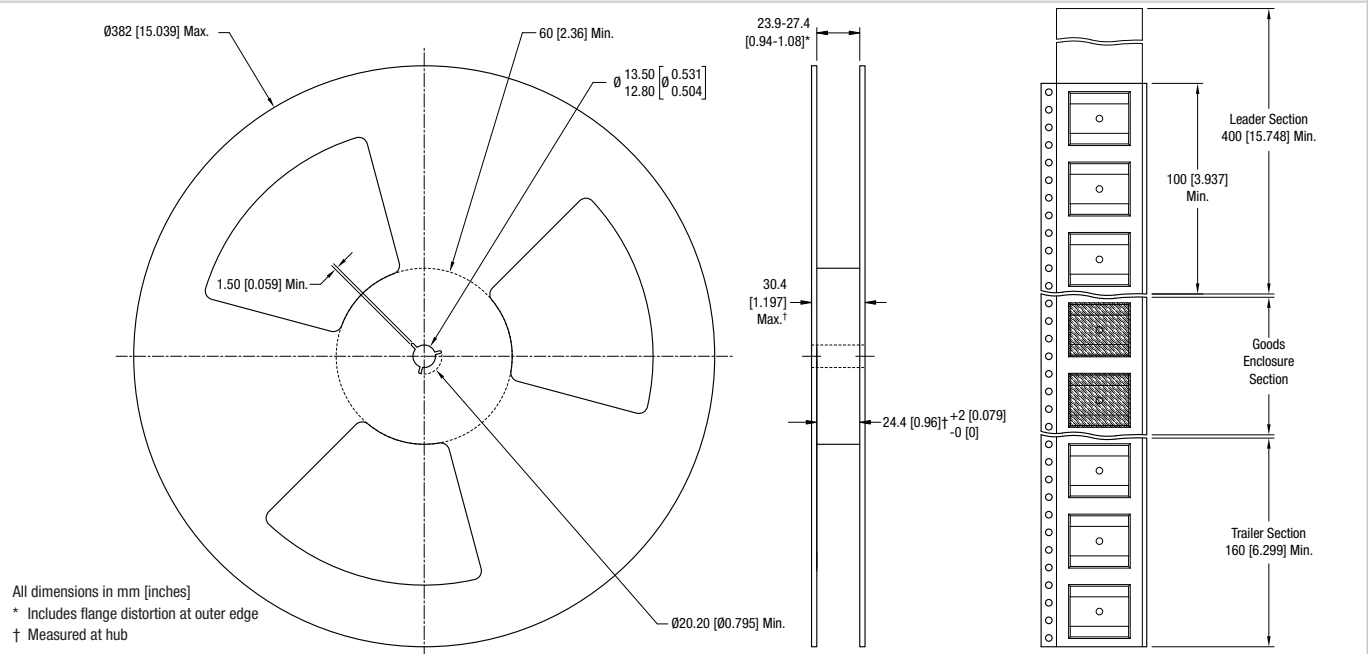
Specifications typical at T_a = 25°C

- 1 When connecting windings in series, inductance will be 4 times the nominal figure shown.
- 2 If current is flowing in both windings, the maximum DC current occurs when either the inductance falls to 75% of its nominal value or when its temperature rise reaches 40°C, whichever is sooner.
- 3 For further information, please visit www.murata-ps.com/rohs

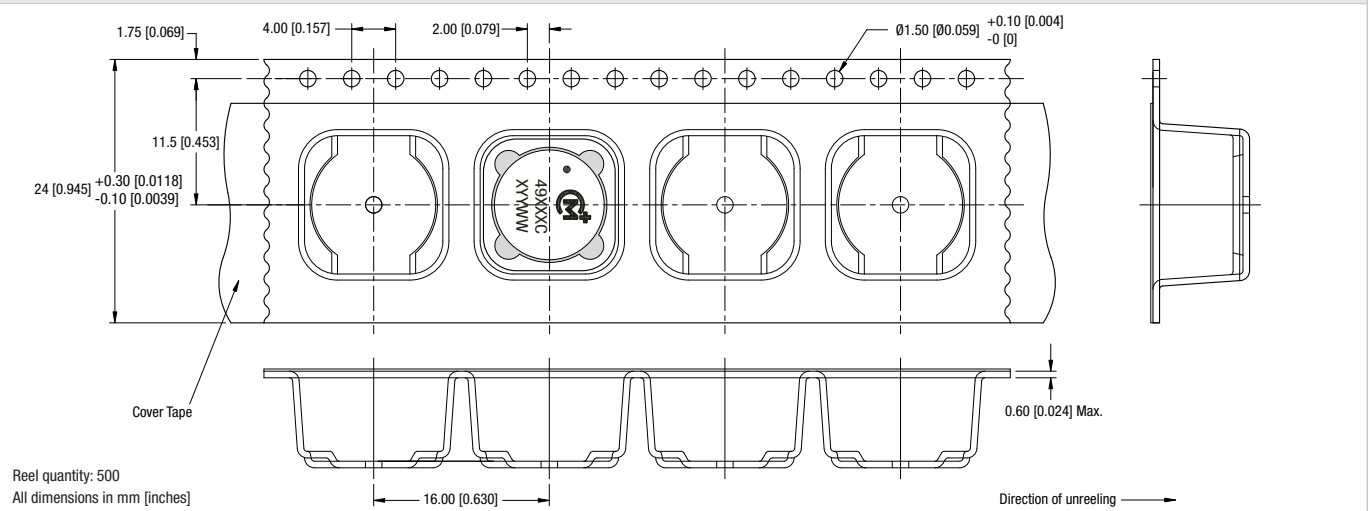


TAPE & REEL SPECIFICATIONS

REEL OUTLINE DIMENSIONS



TAPE OUTLINE DIMENSIONS



Murata Power Solutions, Inc.
 11 Cabot Boulevard, Mansfield, MA 02048-1151 U.S.A.
 ISO 9001 and 14001 REGISTERED

Murata Power Solutions, Inc. makes no representation that the use of its products in the circuits described herein, or the use of other technical information contained herein, will not infringe upon existing or future patent rights. The descriptions contained herein do not imply the granting of licenses to make, use, or sell equipment constructed in accordance therewith. Specifications are subject to change without notice.
 © 2017 Murata Power Solutions, Inc.