

SN8200 EVK+ Wi-Fi Module Evaluation Kit



The SN8200 EVK+ facilitates evaluation of and software development around the SN8200 Wi-Fi Network Controller Module. Major enhancements from the previous SN8200 EVK include:

- Support for the latest Murata EZ Web Wizzard™ software as well as all previous software releases
- Support of the Broadcom WICED SDK
- Jumper switches that easily connect the on-board module to the customer's target host MCU/CPU
- On-board serial flash for OTA software development

SN8200 Module Features

- 2.4GHz IEEE 802.11b/g/n
- Wi-Fi® Chipset: Broadcom BCM43362
- MCU: ST Microelectronics STM32 ARM Cortex-M3
- Supports WPA/WPA2 PSK
- Supports built-in TCP/IP Stack, HTTP, Javascript, and Web Server with SNIC software package
- Supports AP/STA Dual mode
- Supports custom web pages with Murata EZ Web Wizzard™ Software
- Supports Broadcom WICED SDK 2.2

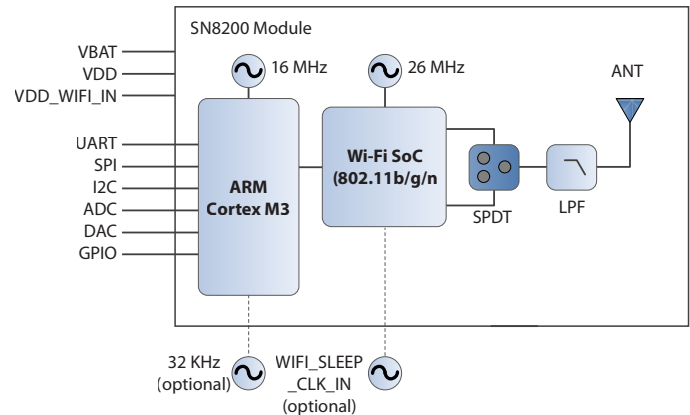
Applications

- Home Automation & Home Energy Management Systems
- Smart Appliances
- Industrial Control and Monitoring
- Medical and Healthcare

Note: Information in this brief is subject to change without notice.

© March 2013 Murata Americas E-mail: modules@murata.com

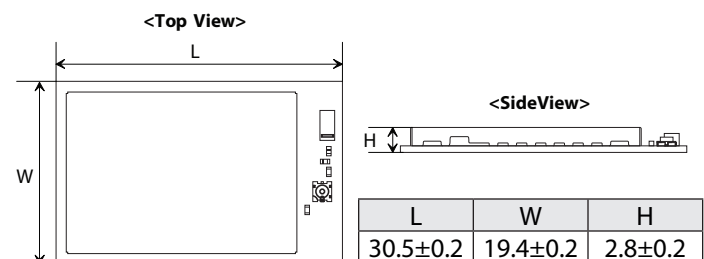
Module Block Diagram

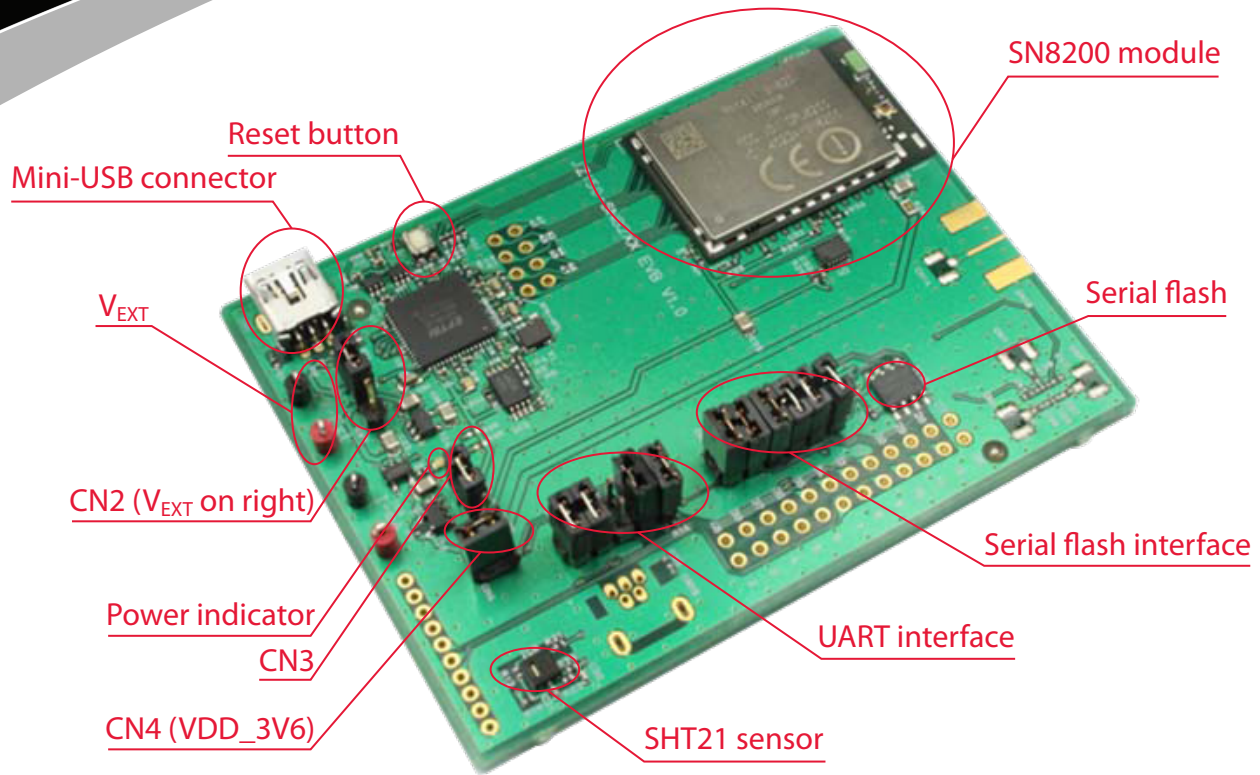


Module Specifications

Technology	2.4GHz IEEE 802.11b/g/n
Antenna Configuration	On-board
Transmit power	+18 dBm @b mode/11Mbps
Max receive sensitivity	-96dbm
Host Interface	UART, SPI
Sensor applications support	GPIO, I2C, ADC, DAC
Operating Temperature	-30°C to +85°C

Module Dimensions (mm)





Evaluation Board Features

- SN8200 Wi-Fi Network Controller
- Mini-USB connector supporting USB-JTAG and USB-serial interfaces
- Pads for headers to access the I/O pins of the SN8200 module
- Serial flash (8M bits) and interface header
- SHT21 temperature and relative humidity sensor
- UART interface header

Ordering Information

Model Number	Description	Part Number
SN8200	Module	88-00151-00
SN8200 EVK+	Evaluation Kit	88-00151-95

Note: Information in this brief is subject to change without notice.

