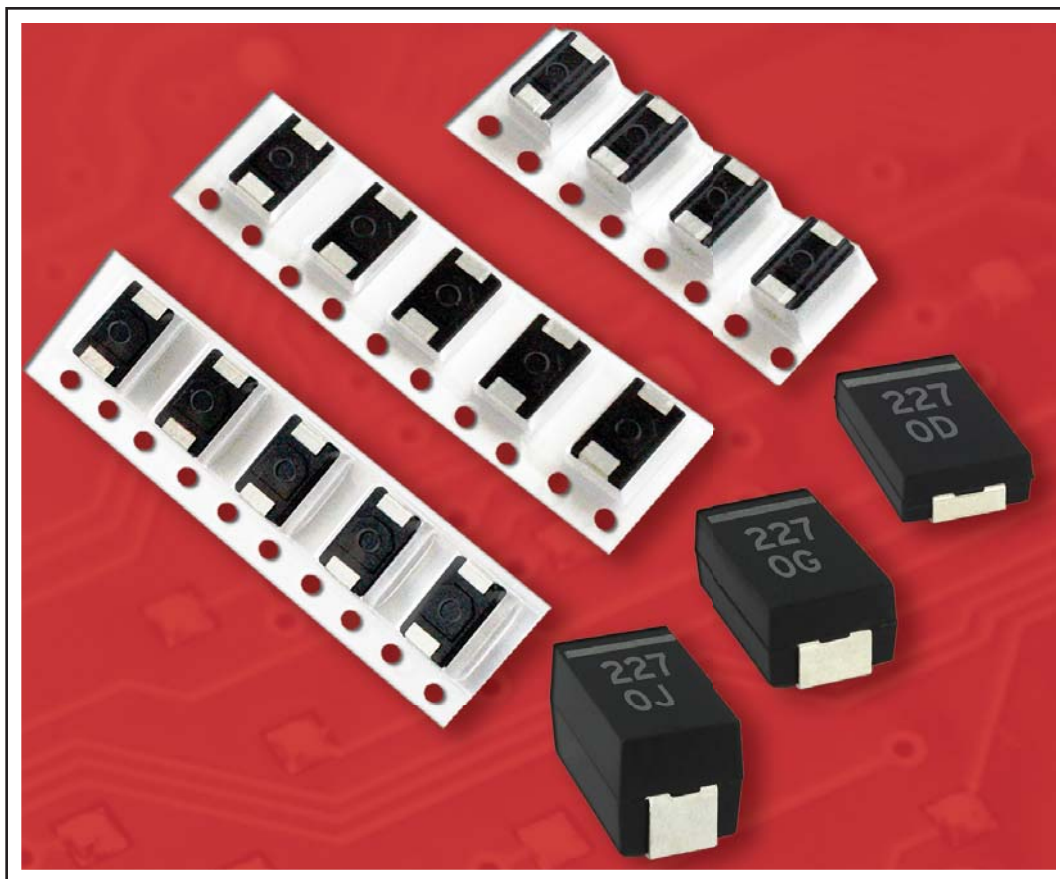


# POLYMER Aluminum Electrolytic Capacitors

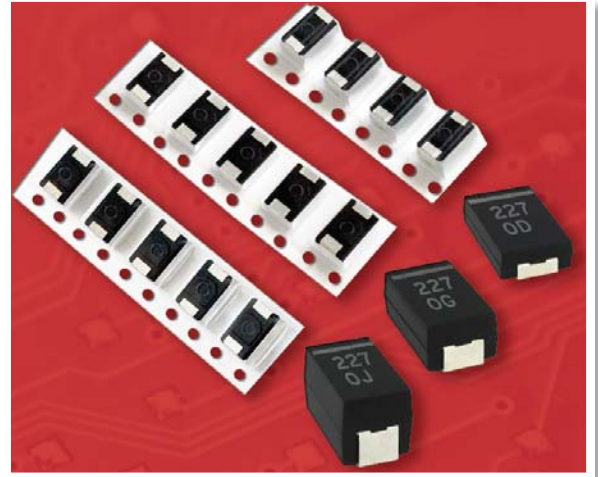
*ECAS Series*



Murata Manufacturing Co., Ltd.'s ECAS series of polymer aluminum electrolytic capacitors realize low ESR, low impedance and high capacitance by means of multilayered aluminum foil for anode, solid conductive polymer for cathode.

With no bias characteristics and stable temperature characteristics, ECAS series have excellent performance in ripple absorption, smoothing and transient response suitable for numerous applications. Therefore, it is suitable for smoothing of input-output current of various power supply circuits, and the backup use over the load change of the CPU circumference.

This contributes to a reduction of the number of parts, or reduction of substrate area.



## Specifications and Features

### Specifications

- Capacitance Range: 6.8 to 470 $\mu$ F
- Rated Voltage: 2 to 16VDC
- ESR: 6 to 70m $\Omega$
- Operating Temperature: -40 to 105 $^{\circ}$ C

### Features

- High capacitance and Low ESR
- Stable capacitance with applied DC voltage/temperature/high frequencies
- Excellent ripple absorption, smoothing, transient response
- No voltage derating required
- Polarity bar (positive) noted on product
- Surface mount construction
- RoHS compliant
- Halogen free
- Moisture Sensitivity Level (MSL) 3 packaging

## Design Support Tool – SimSurfing



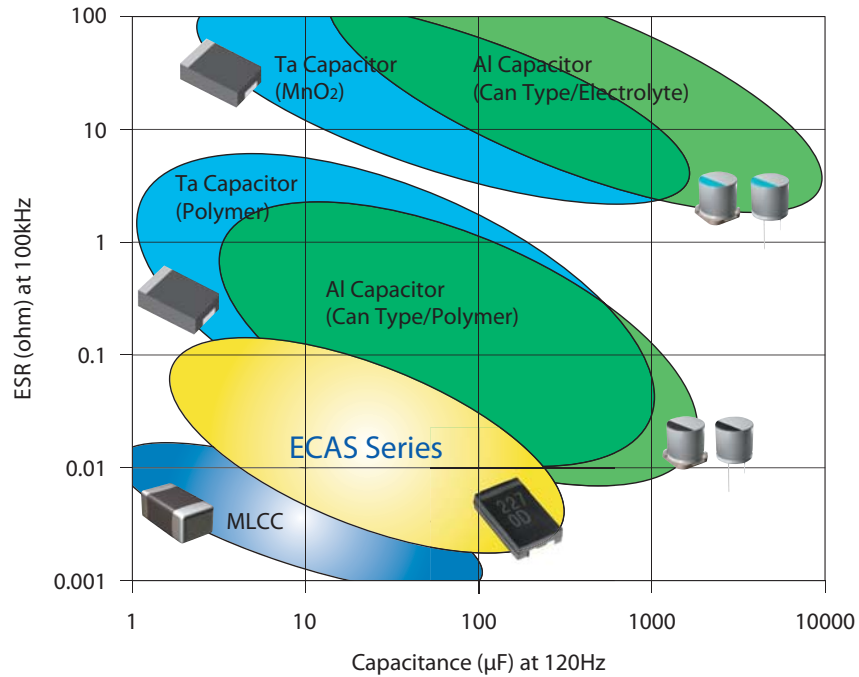
- [www.murata.com/simsurfing/](http://www.murata.com/simsurfing/)
- Frequency responses (Z, ESR, ESL) of ECAS Series are available
- Netlist and S-paramater can be downloaded

## Product Lineup

|               |      | Capacitance Value ( $\mu\text{F}$ ) |          |          |          |          |             |          |             |          |          |          |                         |                   |         |         |
|---------------|------|-------------------------------------|----------|----------|----------|----------|-------------|----------|-------------|----------|----------|----------|-------------------------|-------------------|---------|---------|
|               |      | 6.8                                 | 10       | 15       | 22       | 33       | 47          | 56       | 68          | 82       | 100      | 150      | 180                     | 220               | 330     | 470     |
| Voltage (VDC) | 2    | POLYMER & MLCC SOLUTIONS            |          |          |          |          |             |          |             |          | D4<br>16 | D4<br>9  |                         | D4<br>9           | D6<br>7 | D6<br>6 |
|               | 4    | POLYMER & MLCC SOLUTIONS            |          |          |          |          |             |          | D4<br>20    | D4<br>16 |          | D4<br>16 | D6<br>12                | D6<br>10          | D9<br>8 |         |
|               | 6.3  | D4<br>55                            |          | D4<br>45 | D4<br>25 | D4<br>25 |             | D4<br>15 |             | D4<br>15 | D6<br>10 | D6<br>10 | <b>NEW!</b><br>D9<br>10 | D9<br>10          |         |         |
|               | 10   | D4<br>55                            |          | D4<br>28 | D4<br>25 | D4<br>25 | <b>NEW!</b> | D6<br>15 |             | D9<br>10 | D9<br>10 |          |                         |                   |         |         |
|               | 12.5 | D4<br>55                            | D4<br>45 | D4<br>30 | D4<br>25 | D6<br>20 | <b>NEW!</b> | D6<br>20 | <b>NEW!</b> | D9<br>12 |          |          |                         |                   |         |         |
|               | 16   | D4<br>70                            | D4<br>60 | D4<br>40 | D6<br>30 |          |             |          |             |          |          |          |                         | POLYMER SOLUTIONS |         |         |

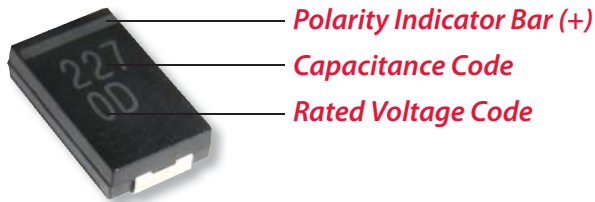
D4  
6 Case Size Code  
ESR (m $\Omega$ )
Mass Production

## Capacitor Map (Cap & ESR)

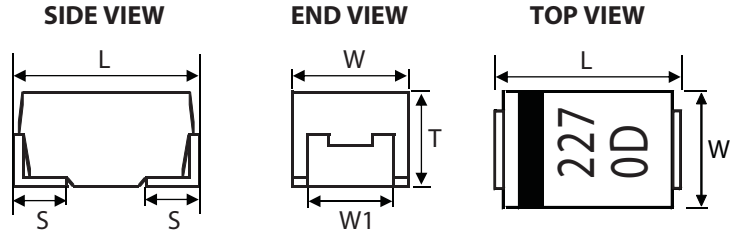


**Appearance**

**Dimensions (mm)**



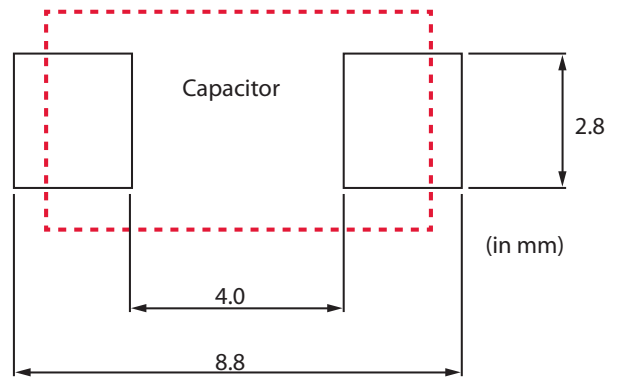
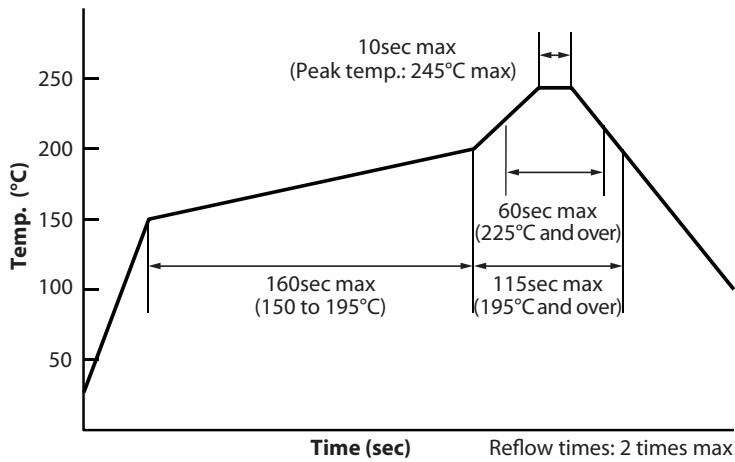
Ex. 220uF/2V



| Case Size | EIA Metric | L         | W         | T         | W1        | S         |
|-----------|------------|-----------|-----------|-----------|-----------|-----------|
| D4        | 7343       | 7.3 ± 0.3 | 4.3 ± 0.2 | 1.9 ± 0.1 | 2.4 ± 0.2 | 1.3 ± 0.2 |
| D6        | 7343       | 7.3 ± 0.3 | 4.3 ± 0.2 | 2.8 ± 0.3 | 2.4 ± 0.2 | 1.3 ± 0.2 |
| D9        | 7343       | 7.3 ± 0.3 | 4.3 ± 0.3 | 4.2 ± 0.3 | 2.4 ± 0.2 | 1.3 ± 0.2 |

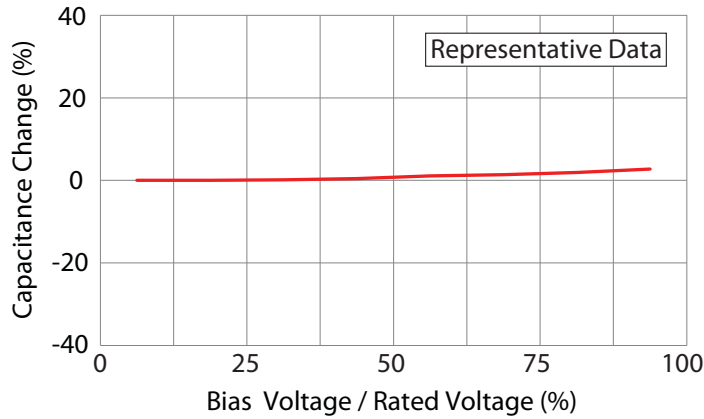
**Recommended Reflow Profile**

**Land Pattern Design**

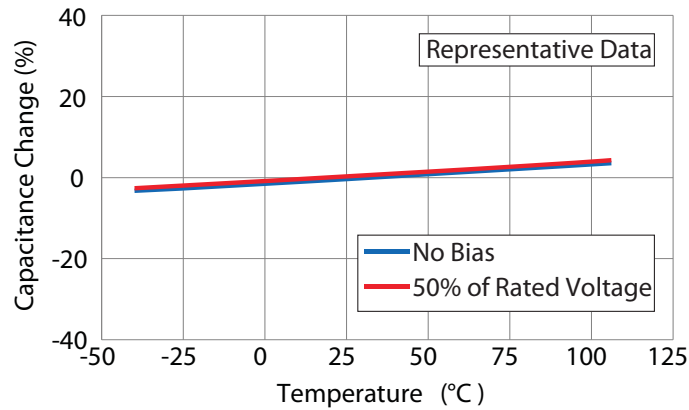


## Characteristics

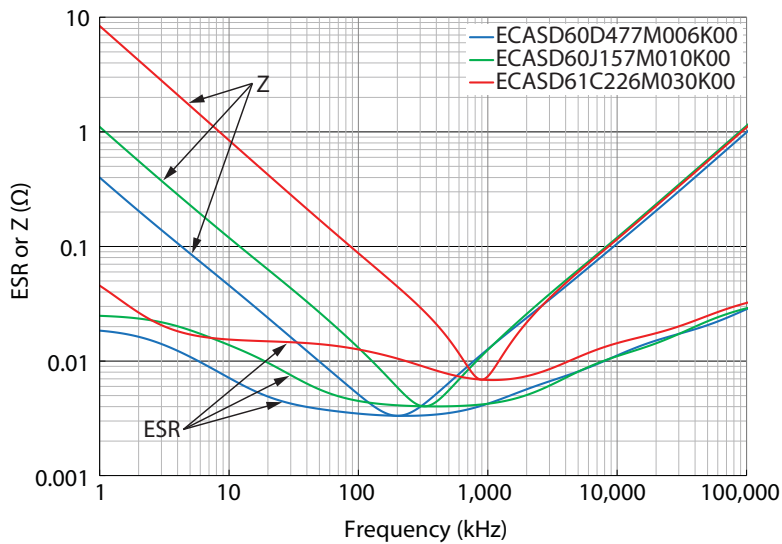
**DC Bias Characteristics**



**Temperature Characteristics of Capacitance**



**Low ESR & Z**



## Part Number Listing

| Murata Part Number             | Rated Voltage (VDC) | Cap. (μF)<br>120Hz/<br>25°C | Cap Tolerance (%) | Case Size |            |        | ESR (mΩ)<br>100kHz<br>/+25°C | Leakage Current (μA) | Ripple Current (Arms)<br>100kHz | Min. Packaging Quantity (pcs) |
|--------------------------------|---------------------|-----------------------------|-------------------|-----------|------------|--------|------------------------------|----------------------|---------------------------------|-------------------------------|
|                                |                     |                             |                   | Code      | L x W (mm) | T (mm) |                              |                      |                                 |                               |
| ECASD40D107M016K00             | 2                   | 100                         | ±20               | D4        | 7343       | 1.9    | 16                           | 8.0                  | 2.0                             | 3,000                         |
| ECASD40D157M009K00             | 2                   | 150                         | ±20               | D4        | 7343       | 1.9    | 9                            | 12.0                 | 3.0                             | 3,000                         |
| ECASD40D227M009K00             | 2                   | 220                         | ±20               | D4        | 7343       | 1.9    | 9                            | 17.6                 | 3.0                             | 3,000                         |
| ECASD60D337M007K00             | 2                   | 330                         | ±20               | D6        | 7343       | 2.8    | 7                            | 26.4                 | 3.5                             | 2,500                         |
| ECASD60D477M006K00             | 2                   | 470                         | ±20               | D6        | 7343       | 2.8    | 6                            | 37.6                 | 3.5                             | 2,500                         |
| ECASD40G686M020K00             | 4                   | 68                          | ±20               | D4        | 7343       | 1.9    | 20                           | 10.9                 | 1.9                             | 3,000                         |
| ECASD40G826M016K00             | 4                   | 82                          | ±20               | D4        | 7343       | 1.9    | 16                           | 13.2                 | 2.1                             | 3,000                         |
| ECASD40G157M016K00             | 4                   | 150                         | ±20               | D4        | 7343       | 1.9    | 16                           | 24.0                 | 2.1                             | 3,000                         |
| ECASD60G187M012K00             | 4                   | 180                         | ±20               | D6        | 7343       | 2.8    | 12                           | 28.8                 | 2.5                             | 2,500                         |
| ECASD60G227M010K00             | 4                   | 220                         | ±20               | D6        | 7343       | 2.8    | 10                           | 35.2                 | 3.0                             | 2,500                         |
| ECASD90G337M008K00             | 4                   | 330                         | ±20               | D9        | 7343       | 4.2    | 8                            | 52.8                 | 3.3                             | 2,000                         |
| ECASD40J106M055K00             | 6.3                 | 10                          | ±20               | D4        | 7343       | 1.9    | 55                           | 2.6                  | 1.0                             | 3,000                         |
| ECASD40J226M045K00             | 6.3                 | 22                          | ±20               | D4        | 7343       | 1.9    | 45                           | 5.6                  | 1.0                             | 3,000                         |
| ECASD40J336M025K00             | 6.3                 | 33                          | ±20               | D4        | 7343       | 1.9    | 25                           | 8.4                  | 1.8                             | 3,000                         |
| ECASD40J476M025K00             | 6.3                 | 47                          | ±20               | D4        | 7343       | 1.9    | 25                           | 11.9                 | 1.8                             | 3,000                         |
| ECASD40J686M015K00             | 6.3                 | 68                          | ±20               | D4        | 7343       | 1.9    | 15                           | 17.2                 | 2.0                             | 3,000                         |
| ECASD40J107M015K00             | 6.3                 | 100                         | ±20               | D4        | 7343       | 1.9    | 15                           | 25.2                 | 2.0                             | 3,000                         |
| ECASD60J157M010K00             | 6.3                 | 150                         | ±20               | D6        | 7343       | 2.8    | 10                           | 37.8                 | 3.0                             | 2,500                         |
| ECASD60J187M010K00 <b>NEW</b>  | 6.3                 | 180                         | ±20               | D6        | 7343       | 2.8    | 10                           | 45.4                 | 3.0                             | 2,500                         |
| ECASD90J227M010K00             | 6.3                 | 220                         | ±20               | D9        | 7343       | 4.2    | 10                           | 55.5                 | 3.0                             | 2,000                         |
| ECASD41A106M055K00             | 10                  | 10                          | ±20               | D4        | 7343       | 1.9    | 55                           | 4.0                  | 1.0                             | 3,000                         |
| ECASD41A226M028K00             | 10                  | 22                          | ±20               | D4        | 7343       | 1.9    | 28                           | 8.8                  | 1.6                             | 3,000                         |
| ECASD41A336M025K00             | 10                  | 33                          | ±20               | D4        | 7343       | 1.9    | 25                           | 13.2                 | 1.8                             | 3,000                         |
| ECASD41A476M025K00 <b>NEW</b>  | 10                  | 47                          | ±20               | D4        | 7343       | 1.9    | 25                           | 18.8                 | 1.8                             | 3,000                         |
| ECASD61A686M015K00             | 10                  | 68                          | ±20               | D6        | 7343       | 2.8    | 15                           | 27.2                 | 2.0                             | 2,500                         |
| ECASD91A107M010K00             | 10                  | 100                         | ±20               | D9        | 7343       | 4.2    | 10                           | 40.0                 | 3.0                             | 2,000                         |
| ECASD91A157M010K00             | 10                  | 150                         | ±20               | D9        | 7343       | 4.2    | 10                           | 60.0                 | 3.0                             | 2,000                         |
| ECASD41B106M055K00             | 12.5                | 10                          | ±20               | D4        | 7343       | 1.9    | 55                           | 12.5                 | 1.0                             | 3,000                         |
| ECASD41B156M045K00             | 12.5                | 15                          | ±20               | D4        | 7343       | 1.9    | 45                           | 18.8                 | 1.0                             | 3,000                         |
| ECASD41B226M030K00             | 12.5                | 22                          | ±20               | D4        | 7343       | 1.9    | 30                           | 27.5                 | 1.6                             | 3,000                         |
| ECASD41B336M025K00 <b>NEW*</b> | 12.5                | 33                          | ±20               | D4        | 7343       | 1.9    | 25                           | 41.3                 | 1.8                             | 3,000                         |
| ECASD61B476M020K00             | 12.5                | 47                          | ±20               | D6        | 7343       | 2.8    | 20                           | 58.8                 | 2.0                             | 2,500                         |
| ECASD61B566M020K00 <b>NEW*</b> | 12.5                | 56                          | ±20               | D6        | 7343       | 2.8    | 20                           | 70.0                 | 2.0                             | 2,500                         |
| ECASD91B107M012K00             | 12.5                | 100                         | ±20               | D9        | 7343       | 4.2    | 12                           | 125.0                | 2.5                             | 2,000                         |
| ECASD41C685M070K00             | 16                  | 6.8                         | ±20               | D4        | 7343       | 1.9    | 70                           | 10.9                 | 1.0                             | 3,000                         |
| ECASD41C106M060K00             | 16                  | 10                          | ±20               | D4        | 7343       | 1.9    | 60                           | 16.0                 | 1.0                             | 3,000                         |
| ECASD41C156M040K00             | 16                  | 15                          | ±20               | D4        | 7343       | 1.9    | 40                           | 24.0                 | 1.0                             | 3,000                         |
| ECASD61C226M030K00             | 16                  | 22                          | ±20               | D6        | 7343       | 2.8    | 30                           | 35.2                 | 1.6                             | 2,500                         |

**\*Reduced Thickness** – ECASD41B336M025K00 (12.5V/33μF → D4), ECASD61B566M020K00 (12.5V/56μF → D6)

## Part Number Description

**ECAS D4 0D 227 M 009 K 00**

① ② ③ ④ ⑤ ⑥ ⑦ ⑧

### ① Series

|      |                                   |
|------|-----------------------------------|
| ECAS | Polymer Al Electrolytic Capacitor |
|------|-----------------------------------|

### ② Dimension (L×W×T) (mm)

| Code | L         | W         | T         |
|------|-----------|-----------|-----------|
| D4   | 7.3 ± 0.3 | 4.3 ± 0.2 | 1.9 ± 0.1 |
| D6   | 7.3 ± 0.3 | 4.3 ± 0.2 | 2.8 ± 0.3 |
| D9   | 7.3 ± 0.3 | 4.3 ± 0.3 | 4.2 ± 0.3 |

### ③ Rated Voltage

| Code | Rated Voltage |
|------|---------------|
| 0D   | DC 2V         |
| 0G   | DC 4V         |
| 0J   | DC 6.3V       |
| 1A   | DC 10V        |
| 1B   | DC 12.5V      |
| 1C   | DC 16V        |

### ④ Capacitance

Expressed by three-digit numeric code. The unit is microfarad (μF). The first and second figures are significant digits, and the third figure expresses the number of zeros that follow the two figures.

| Code | Capacitance |
|------|-------------|
| 476  | 47μF        |
| 107  | 100μF       |
| 227  | 220μF       |
| 477  | 470μF       |

### ⑤ Capacitance Tolerance

| Code  | Capacitance Tolerance |
|-------|-----------------------|
| Ex. M | ±20%                  |

### ⑥ ESR

Expressed by three-digit alphanumeric. The unit is milli-ohm (mΩ). If there is a decimal point, it is expressed by the capital letter "R."


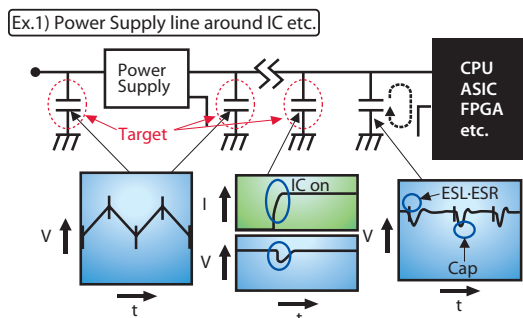

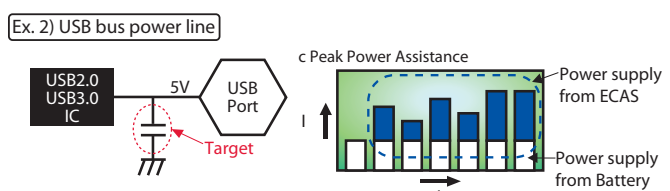

| Code    | ESR   |
|---------|-------|
| Ex. 4R5 | 4.5mΩ |
| 009     | 9mΩ   |
| 010     | 10mΩ  |

### ⑦ Packaging

| Code | Packaging            |
|------|----------------------|
| K    | ø330mm Embossed Tape |

### ⑧ Inhouse Specification Code Expressed by two figures.

## Applications

| Market   | Set/Application                           | Overall Power Management   |
|--|---|--|
| <b>Computer</b><br>   | Notebook/Netbook                          | <b>Ex.1) Power Supply line around IC etc.</b><br><br>c Eliminates Ripple<br>c Smooths Voltage Source<br>c Stabilizes Voltage Source<br>c Eliminates High Frequency Noise from IC |
|  | Server                                    |  |
|  | Motherboard/Graphics Card                 |  |
|  | Multifunction Peripheral (Copier/Printer) |  |
| <b>Digital AV</b><br> | Digital TV (LCD/Plasma)                   | <b>Ex.2) USB bus power line</b><br><br>c Peak Power Assistance   |
|  | Game Console                              |  |
|  | Set Top Box                               |  |
| <b>Telecom</b><br>    | Network/Switch/Router                     |  |
|  | Base Station                              |  |

## Specifications and Test Methods

| No. | Item                                     | Characteristics  | Test Conditions  |   |
|-----|--|--|--|---|
| 1   | <b>Operating Temperature Range</b>       | -40°C to +105°C  |  |   |
| 2   | <b>Leakage Current</b>                   | ≤The value of "Part Number Listing"                          | Series resistor: 1000 ohm<br>Applied voltage: Rated voltage<br>Measured after 2 minutes of application.<br>Please conduct pre-conditioning below, if in doubt.<br>Pre-conditioning: ·Temperature: room temp.<br>Applied voltage: Rated voltage ·Series resistor: 1000 ohm ·Charge time: 30 min.  |   |
| 3   | <b>Capacitance Tolerance</b>             | Please refer to "Part Number Listing"                        | Measuring frequency: 120Hz ±10%  |   |
| 4   | <b>Dissipation Factor</b>                | ≤0.06  | Measuring circuit: Equivalent series circuit<br>Measuring voltage: +1Vrms<br>Measuring temperature: 25°C   |   |
| 5   | <b>ESR</b>                               | ≤The value of "Part Number Listing"                          | Measuring frequency: 100kHz ±10%<br>Measuring voltage: no more than +1Vrms<br>Measuring temperature: 25°C  |   |
| 6   | <b>Allowable Ripple Current</b>          | Please refer to "Part Number Listing"                        | Measuring frequency: 100kHz ±10%   |   |
| 7   | <b>Solderability</b>                     | More than 95% of each terminal face is covered by new solder | Eutectic solder: H60A<br>Flux: Ethanol solution of 25% rosin<br>Solder temperature: 235 ±5°C<br>Immersing time: 5 ±0.5s  |   |
| 8   | <b>Moisture Resistance Under No Bias</b> | Leakage Current  | Test temperature: 60±2°C<br>Relative humidity: 90 to 95%RH<br>Test time: 500+24, -Oh   |   |
|     |  | Capacitance Change   |  | ≤750% of initial specified value for 2V to 10V products<br>≤300% of initial specified value for 12.5V to 16V products |
|     |  | Dissipation Factor   |  | -20% and +50% of initial measured value   |
|     |  | Appearance   |  | ≤0.12   |
| 9   | <b>Moisture Resistance Under Load</b>    | Leakage Current  | Test temperature: 60±2°C<br>Relative humidity: 90 to 95%RH<br>Test time: 1000+48, -Oh<br>Applied voltage: Rated voltage  |   |
|     |  | Capacitance Change   |  | ≤The value of "Part Number Listing"   |
|     |  | Dissipation Factor   |  | -20% and +50% of initial measured value   |
|     |  | Appearance   |  | ≤0.12   |
| 10  | <b>Shelf life</b>                        | Leakage Current  | Test temperature: 105±2°C<br>Test time: 1000+48, -Oh   |   |
|     |  | Capacitance Change   |  | ≤The value of "Part Number Listing"   |
|     |  | Dissipation Factor   |  | ±10% of initial measured value  |
|     |  | Appearance   |  | ≤0.06   |
| 11  | <b>Endurance</b>                         | Leakage Current  | Test temperature: 105±2°C<br>Test time: 1000+48, -Oh<br>Applied voltage: Rated voltage   |   |
|     |  | Capacitance Change   |  | ≤The value of "Part Number Listing"   |
|     |  | Dissipation Factor   |  | ±10% of initial measured value  |
|     |  | Appearance   |  | ≤0.06   |
| 12  | <b>Surge</b>                             | Leakage Current  | Temperature:<br>+85°C for 2V to 10V products<br>Room temp. for 12.5V to 16V products<br>Applied voltage:<br>Rated voltage x1.25 for 2V to 10V products<br>Rated voltage x1.15 for 12.5V to 16V products<br>Current limiting resistance:<br>33 ohm (in series) for 2V to 10V products<br>1k ohm (in series) for 12.5V to 16V products<br>Discharge resistance:<br>33 ohm (in series) for 2V to 10V products<br>1k ohm (in series) for 12.5V to 16V products<br>Charge on/off:<br>30 sec. each, 1000 times |   |
|     |  | Capacitance Change   |  | ≤The value of "Part Number Listing"   |
|     |  | Dissipation Factor   |  | ±10% of initial measured value  |
|     |  | Appearance   |  | ≤0.06   |



## Caution Before Use

### CAUTIONS

#### 1. Prohibited Circuits

ECAS series cannot be used on the following circuits.

- ① Time constant circuits
- ② Coupling circuits
- ③ The circuits in which two or more ECAS series are connected in a series so as to raise the endurance voltage
- ④ Circuits greatly affected by leakage current

#### 2. Polarity

Polymer aluminum electrolytic capacitor is polarized. Please not to reverse the polarity when using. If reverse voltage is applied, it may damage the oxide film and the capacitor itself.

#### 3. Operating Voltage

When DC-rated capacitors are to be used in AC or ripple current circuits, be sure to maintain the Vp-p value of the applied voltage or the Vo-p which contains DC bias within the rated voltage range. When the voltage is applied to the circuit, starting or stopping may generate irregular voltage for a transit period because of resonance or switching. Be sure to use a capacitor with a rated voltage range that includes these irregular voltages.

#### 4. Inrush Current

Extreme inrush current may cause short circuit or leakage current increase. If the inrush current exceeds 20A, adding protection circuit is recommended.

#### 5. Allowable Ripple Current

Please not to apply ripple current exceeding the allowable value specified in this document. If excessive current is applied, it may generate heat and the heat may damage the capacitor. The sum of DC voltage and the peak AC voltage shall not exceed the rated voltage. The sum of the DC voltage and the peak AC voltage shall not allow a voltage reversal.

Maximum allowable ripple current = Allowable Ripple Current x \*Temperature Compensation Coefficient

\*Temperature Compensation Coefficient = 1.00(TB45°C), 0.70(45°C<TB85°C), 0.25(85°C<TB105°C)

#### 6. Operating Temperature

The operating temperature limit depends on the capacitor.

- ① Do not apply temperature exceeding the upper operating temperature. It is necessary to select a capacitor with a suitable rated temperature that will cover the operating temperature range. Also it is necessary to consider the temperature distribution in equipment and the seasonal temperature variable factor.
- ② Consider the self-heating of the capacitor. The surface temperature of the capacitor shall be the upper operating temperature or less when including the self-heating factors.

#### 7. Reflow Soldering

Please not to apply excessive force to the capacitor during insertion as well as after soldering. The excessive force may result in damage to electrode terminals and/or degradation of electrical performance.

#### 8. Operating Environment

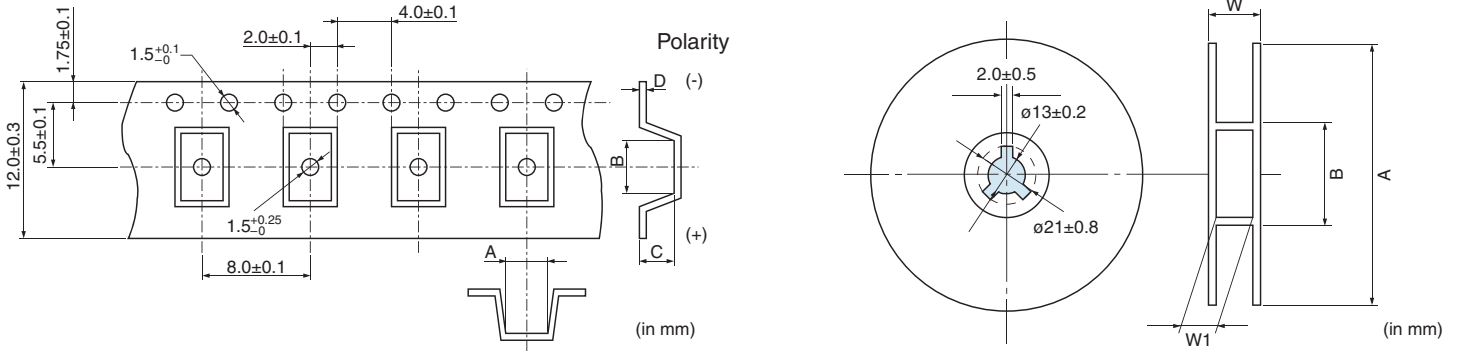
Confirm the environment in which the equipment will operate is under the specified conditions. Do not use the equipment under the following environments.

- ① Being spattered with water or oil.
- ② Being exposed to direct sunlight.
- ③ Being exposed to Ozone, ultraviolet rays or radiation.
- ④ Being exposed to toxic gas (e.g., hydrogen sulfide, sulfur dioxide, chlorine, ammonia gas, etc.)
- ⑤ Being exposed to excessive vibrations or mechanical shocks.
- ⑥ Being exposed to condensable environments.

#### 9. Failure Rate

The failure rate is 0.5%/1,000h (60% Reliability) based on JIS C 5003.

**Packaging**



| Type | Cavity Size (mm) |       |       |          | Minimum Qty. (pcs.) |
|------|------------------|-------|-------|----------|---------------------|
|      | A±0.2            | B±0.2 | C±0.2 | D        |                     |
| D4   | 4.5              | 7.6   | 2.2   | 0.4 max. | 3,000               |
| D6   | 4.5              | 7.6   | 3.2   | 0.4 max. | 2,500               |
| D9   | 4.5              | 7.6   | 4.6   | 0.4 max. | 2,000               |

| Reel Size | Tape Width | A         | B         | W        | W1       |
|-----------|------------|-----------|-----------|----------|----------|
| ø330      | 12         | 330.0±2.0 | 100.0±1.0 | 17.5±1.5 | 13.5±1.5 |

**STORAGE CONDITIONS**

- Term of warranty for this product is two years after packaging in a moisture-proof bag, under the conditions below with sealed packaging.  
Recommended storage environment: Room temperature: 5-30°C; Humidity: no more than 60%RH
- Polymer aluminum electrolytic capacitors should not be stored in an atmosphere consisting of corrosive gas (e.g., hydrogen sulfide, sulfur dioxide, chlorine, ammonia gas, etc.).
- Polymer aluminum electrolytic capacitors should be stored in a dry atmosphere, avoiding direct sunlight and condensation. If capacitors are kept at a higher humidity, the following problems may occur: ①Leakage current will increase at the beginning of use and damage the circuit. ②Moisture absorbed in a resin will evaporate and expand with heat of mounting and damage the mold resin.
- Please confirm a dry state with a humidity indicator card after open immediately. If 20% indication was in a pink state after opened, it is recommended to bake under the conditions below as countermeasures against the problems ① and ② in item 3 above respectively.
- The capacitors should be kept dry using desiccators or any other methods after unsealing the moisture-proof packaging. If more than two weeks has passed under the recommended storage environment specified above after unsealing the packaging, it is recommended to apply voltage and to bake under the conditions below, as countermeasures against the problems ① and ② in item 3 above respectively.
 

|  |                                  |
|--|----------------------------------|
| ① Recommended voltage conditions:                      | ② Recommended baking conditions: |
| Applied voltage: rated voltage                         | Temperature: 60 (+0, -5) °C      |
| Time: 30 minutes                                       | Time: 168 hours                  |
| Temperature: room temperature                          |                                  |
| Current limiting resistance: 1000Ω (series connection) |                                  |
- This product meets Moisture Sensitivity Level (MSL) 3 packaging.



## △ Note:

## 1. Export Control

<For customers outside Japan> Murata products should not be used or sold for use in the development, production, stockpiling or utilization of any conventional weapons or mass-destructive weapons (nuclear weapons, chemical or biological weapons, or missiles), or any other weapons.

<For customers in Japan> For products which are controlled items subject to the "Foreign Exchange and Foreign Trade Law" of Japan, the export license specified by the law is required for export.

## 2. Please contact our sales representatives or product engineers before using the products in this catalog for the applications listed below, which require especially high reliability for the prevention of defects which might directly damage a third party's life, body or property, or when one of our products is intended for use in applications other than those specified in this catalog.

- |                             |   |
|-----------------------------|---|
| ① Aircraft equipment        | ② Aerospace equipment   |
| ③ Undersea equipment        | ④ Power plant equipment   |
| ⑤ Medical equipment         | ⑥ Transportation equipment (vehicles, trains, ships, etc.)  |
| ⑦ Traffic signal equipment  | ⑧ Disaster prevention / crime prevention equipment  |
| ⑨ Data-processing equipment | ⑩ Application of similar complexity and/or reliability requirements to the applications listed above. |

## 3. Product specifications are subject to change or our products may be discontinued without advance notice. Please check with our sales representatives or product engineers before ordering.

## 4. Please read rating and △ CAUTION (for storage, operating, rating, soldering, mounting and handling) to prevent smoking and/or burning, etc.

## 5. Please approve our product specifications or complete the approval sheet for product specifications before ordering.

## 6. Please note that unless otherwise specified, we shall assume no responsibility whatsoever for any conflict or dispute that may occur in connection with the effect of our and/or a third party's intellectual property rights and other related rights in consideration of your use of our products and/or information described or contained in our catalogs. In this connection, no representation shall be made to the effect that any third parties are authorized to use the rights mentioned above under licenses without our consent.

## 7. No ozone depleting substances (ODS) under the Montreal Protocol are used in our manufacturing process.

## 8. For status of RoHS compliance of our products, please consult our website.

**muRata Murata Manufacturing Co., Ltd.****Head Office**

1-10-1, Higashi Kotari 1-chome  
Nagaokakyo-shi, Kyoto  
617-8555, Japan  
Phone: 81-75-951-9111

**International Division**

3-29-12, Shibuya 3-chome,  
Shibuya-ku, Tokyo  
150-0002 Japan  
Phone: 81-3-5469-6123

**Murata Americas**

Murata Electronics N.A., Inc. (Regional HQ)  
2200 Lake Park Drive  
Smyrna, GA 30080-7604, USA.  
Phone: 1-770-436-1300  
Fax: 1-770-436-3030

**For additional information visit:**

[www.murataamericas.com/polymer\\_al](http://www.murataamericas.com/polymer_al)

**Murata (China) Investment Co., Ltd.**

Lane 318 Yonghe Road  
Zhabei District, Shanghai 200072, China  
Phone: 86-21-3205-4616  
Fax: 86-21-3205-4617

**Murata Europe**

Murata Electronics Europe B.V. (Regional HQ)  
Daalmeerstraat 4, 2131HC Hoofddorp  
The Netherlands  
Phone: +31-(0)23-5698360  
Fax: +31-(0)23-5698361

**Taiwan Murata Electronics Co., Ltd.**

No 225 Chung - Chin Road, Taichung, Taiwan  
Phone: 886-4-2425-4151

**Murata Electronics Singapore (Pte.) Ltd.**

200 Yishun Avenue 7  
Singapore, 768927  
Tel: 65-6758-4233  
Fax: 65-6758-2026

