



### FEATURES

- RoHS compliant
- Low profile
- Surface mount
- Inductance range from 1.0µH to 1.0mH
- Tape & reel
- UL 94V-0 materials
- J-STD-020D.1 reflow

### PRODUCT OVERVIEW

The 2900 series is a range of bobbin-wound, shielded inductors. They are suitable for power-line filtering found in consumer electronics such as desktop computers, handheld devices and GPS systems, as well as in a vast range of industrial and telecom applications including network hubs, bridges & routers, and high frequency wireless communication devices.

These surface mount inductors are extremely compact and have an integral shield, making them useful in EMI sensitive applications.

For lower current ratings see also our lower profile 2900L series.

### SELECTION GUIDE

Order Code	Inductance (10kHz, 0.1VAc)		Idc <sup>2</sup> Max. A	Rdc Max. mΩ
	Nom. µH	Min. – Max. µH		
29102C	1.0	0.70 – 1.30	6.0	16
29152C	1.5	1.05 – 1.95	5.5	18
29222C	2.2	1.54 – 2.86	5.0	20
29332C	3.3	2.31 – 4.29	4.0	28
29472C	4.7	3.29 – 6.11	2.3	30
29682C	6.8	4.76 – 8.84	2.1	40
29103C	10	8.0 – 12.0	1.8	45
29153C	15	12.0 – 18.0	1.5	65
29223C	22	17.6 – 26.4	1.2	85
29333C	33	26.4 – 39.6	1.0	120
29473C	47	37.6 – 56.4	850mA	170
29683C	68	54.4 – 81.6	650mA	250
29104C	100	80.0 – 120	530mA	360
29154C	150	120 – 180	470mA	500
29224C	220	176 – 264	380mA	760
29334C	330	264 – 396	320mA	1000
29474C	470	376 – 564	260mA	1600
29684C	680	544 – 816	210mA	2400
29105C	1000	800 – 1200	180mA	4100

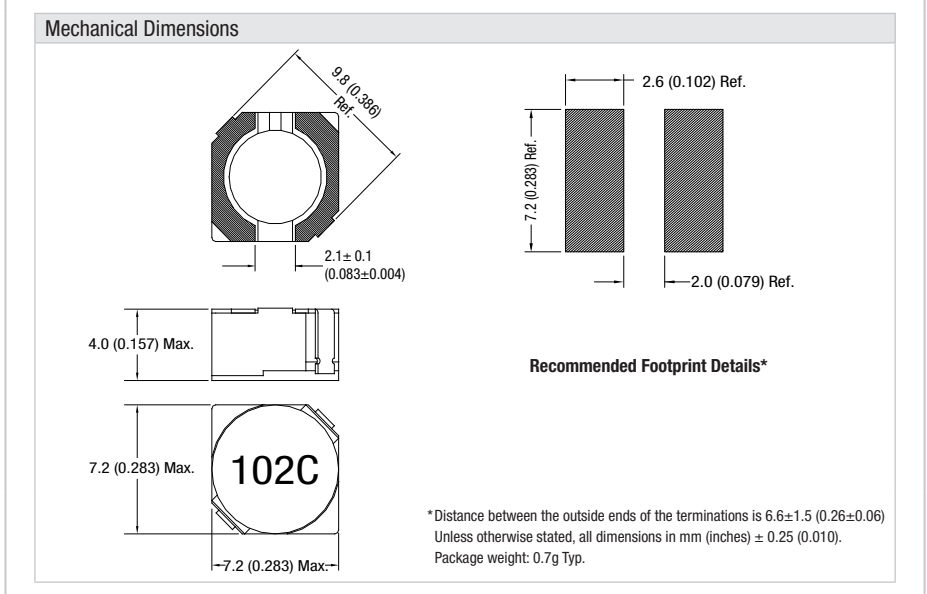
### ABSOLUTE MAXIMUM RATINGS

Operating free air temperature range	-40°C to 85°C
Storage temperature range	-40°C to 125°C

### SOLDERING INFORMATION<sup>1</sup>

Peak reflow solder temperature	250°C
Pin finish	Tin
Moisture sensitivity level <sup>3</sup>	1

### PACKAGE SPECIFICATIONS

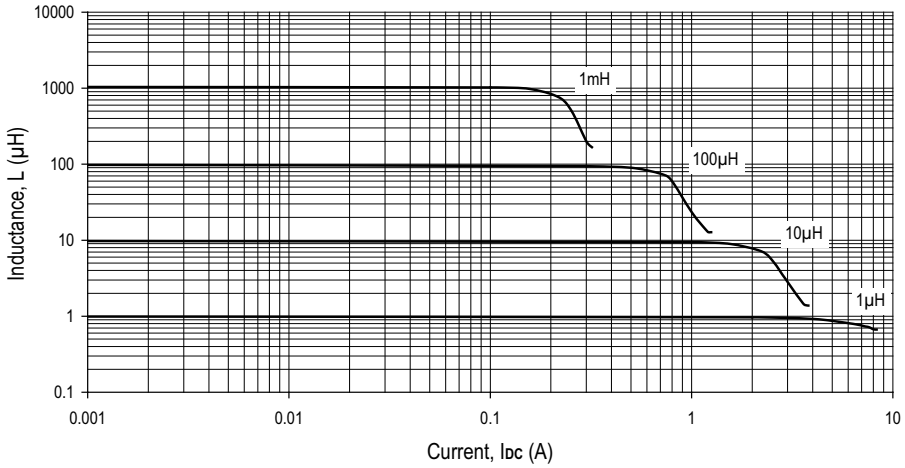


For full details go to  
[www.murata-ps.com/rohs](http://www.murata-ps.com/rohs)

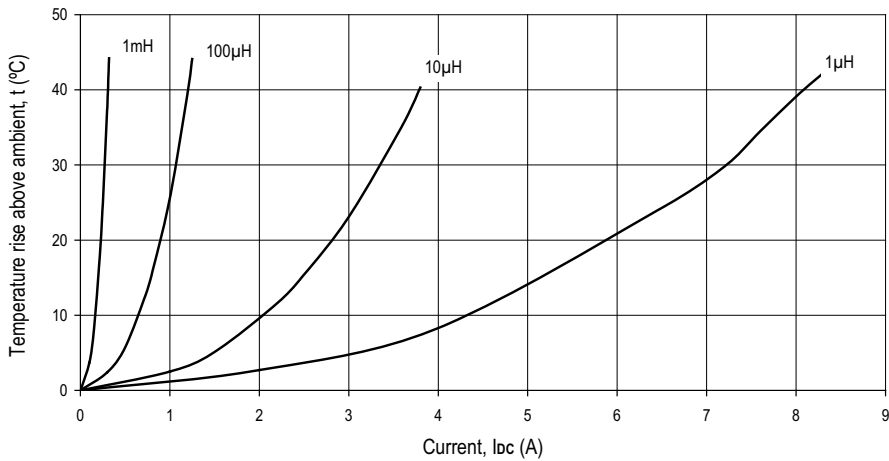
1 For further information, please visit [www.murata-ps.com/rohs](http://www.murata-ps.com/rohs)  
2 The maximum DC current is the value at which the inductance falls to 75% of its nominal value or when its temperature rise reaches 40°C, whichever is sooner.

3 When tested to moisture sensitivity level 1, as described per IPC/JEDEC J-STD-020D, products passed electrical testing, package coplanarity and visual inspection.  
All specifications typical at  $T_a=25^\circ\text{C}$

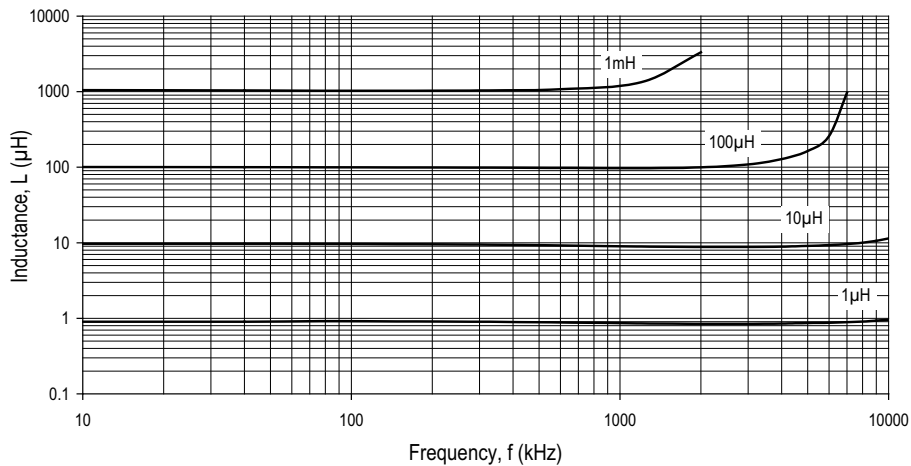
**INDUCTANCE Vs CURRENT**



**TEMPERATURE Vs CURRENT**

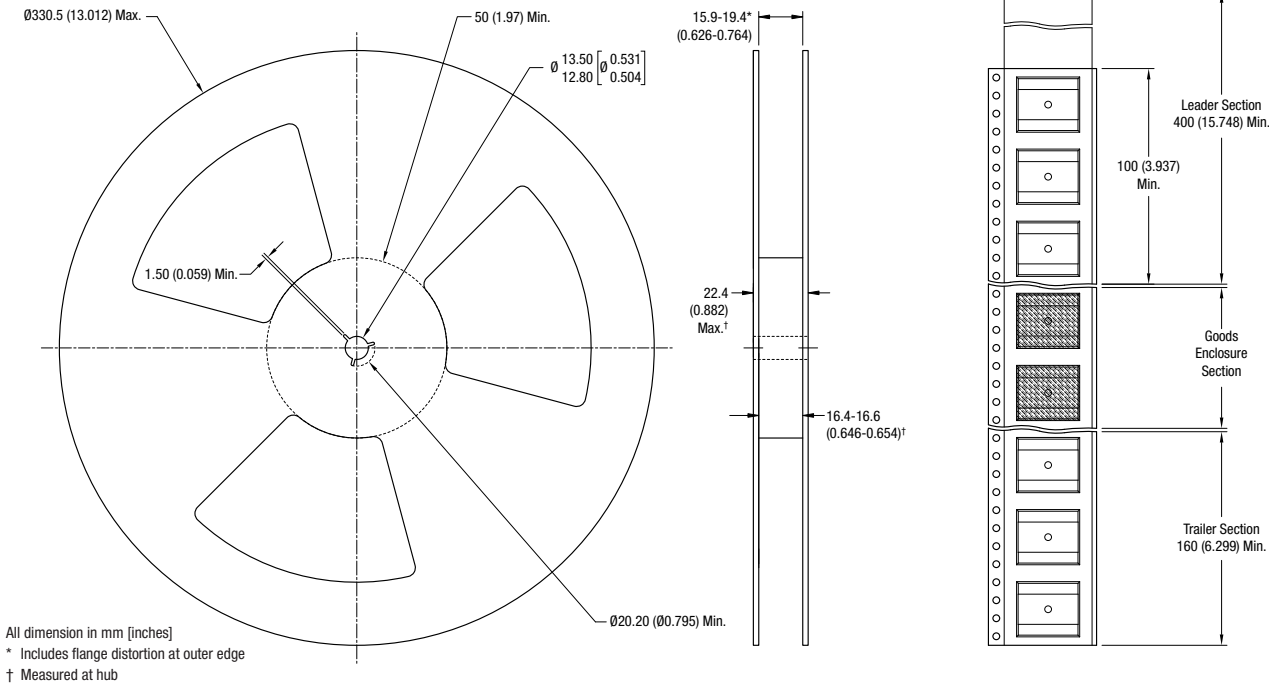


**INDUCTANCE Vs FREQUENCY**

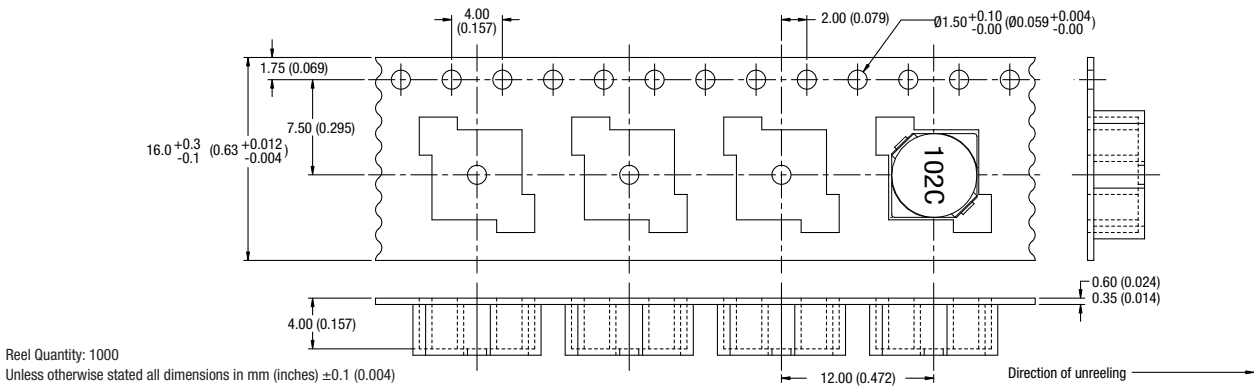


**PACKAGE SPECIFICATIONS**

**Reel Dimensions**



**Tape Outline Dimensions**



Murata Power Solutions, Inc.  
 11 Cabot Boulevard, Mansfield, MA 02048-1151 U.S.A.  
 ISO 9001 and 14001 REGISTERED

Murata Power Solutions, Inc. makes no representation that the use of its products in the circuits described herein, or the use of other technical information contained herein, will not infringe upon existing or future patent rights. The descriptions contained herein do not imply the granting of licenses to make, use, or sell equipment constructed in accordance therewith. Specifications are subject to change without notice.  
 © 2013 Murata Power Solutions, Inc.