

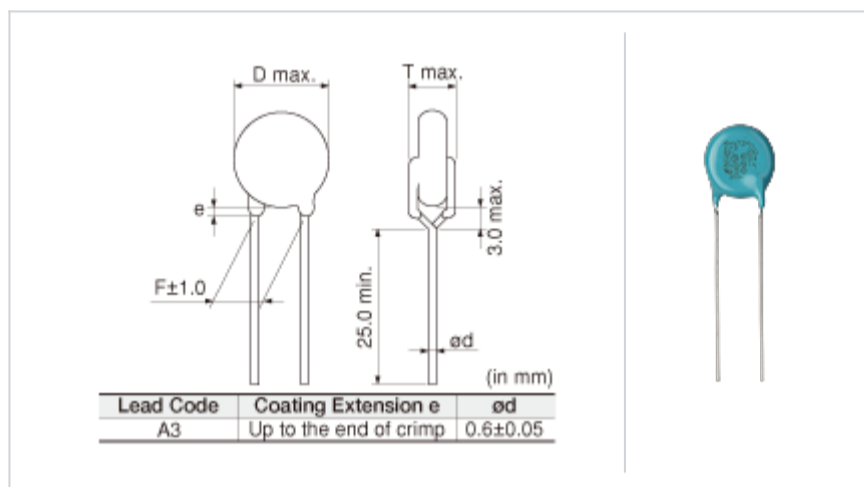
# DE2F3KH103MA3B

" # " indicates a package specification code.



< List of part numbers with package codes >  
DE2F3KH103MA3B

## Shape



## Notes

X1/Y2 Class Certified Products  
Please use replacement

## References

Packaging	Specifications	Minimum quantity
B	Packing in bulk	100

L size or outer diameter D (mm)	16.0 mm max.
T size	7.0 mm max.
Lead spacing F	7.5 ± 1.0mm
Lead diameter d	0.6 ± 0.05mm
Paint dripping e	Up to the end of crimp

## Specifications

Capacitance	10000pF ± 20%
Rated voltage	250Vac(r.m.s.)
Temperature characteristics (complied standard)	F(JIS)
Capacitance change rate	+30/-80%
Temperature range of temperature characteristics	-25 to 85
Operating temperature range	-40 to 125

## ⚠ Attention

- 1.This datasheet is downloaded from the website of Murata Manufacturing Co., Ltd. Therefore, it ' s specifications are subject to change or our products in it may be discontinued without advance notice. Please check with our sales representatives or product engineers before ordering.
- 2.This datasheet has only typical specifications because there is no space for detailed specifications. Therefore, please review our product specifications or consult the approval sheet for product specifications before ordering.