



Attention : **MOUSER ELECTRONICS**

Date: 2nd Sep. 2013

**Murata**  
**Manufacturing Co., Ltd.**  
 Head Office  
 Nagaokakyo-shi, Kyoto 617-8555  
 Japan  
 Phone : +81 - 75 - 955 - 6863  
 Fax : +81 - 75 - 955 - 6579

**Re : EOL notification of leaded trimmer capacitor “TZ03 series”**

We thank you very much for your continuous business relationship regarding all Murata products.

We are afraid to announce that leaded trimmer capacitor “TZ03 series” will be discontinued. The products were released around 30 years ago. Its legacy production line becomes difficult to be maintained due to unavailability of replacement parts and critical cost increase to renew machines. We are trying to continue the production so far but we finally decide EOL now.

We would like to offer the following schedule for last-time-buy and EOL. We also inform of some of competitor’s products for your reference. We are very happy if you kindly accept EOL and give us your last-time-buy order no later than the day.

Subject of EOL

TZ03 series (6mm type leaded trimmer capacitor)

	Murata PN	Type
#1	TZ03****F*****	Top adjust type
#2	TZ03****N*****	Bottom adjust type
#3	TZ03****Y*****	Side adjust type

EOL schedule

- Last-time-buy: End of July, 2014
- Product discontinuation: End of September, 2014
- Last shipment: End of September, 2014

**Please return your signed receipt letter by the end of December, 2013.**

**Please return your last-time-buy plan letter by the end of March 2014.**

[Attached document]

#1: Shipment record (reference)

#2: Information of competitor’s replacements

#3: Approved parts list (reference), Copy of specification (only front page if available)

If you have any questions or requests, please do not hesitate to contact us.  
 Your kind understands and cooperation would be greatly appreciated.

Sincerely yours,

Authorized by  
 Toshiya Kumada  
 General Manager  
 Thermistor and Variable Products Department

**Receipt:**

**\*Please return to our sales representative by the end of March 2014.**

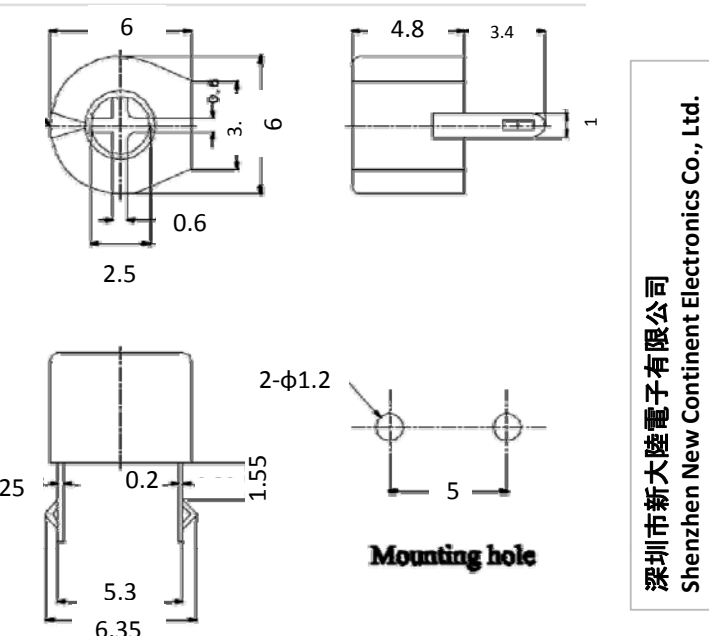
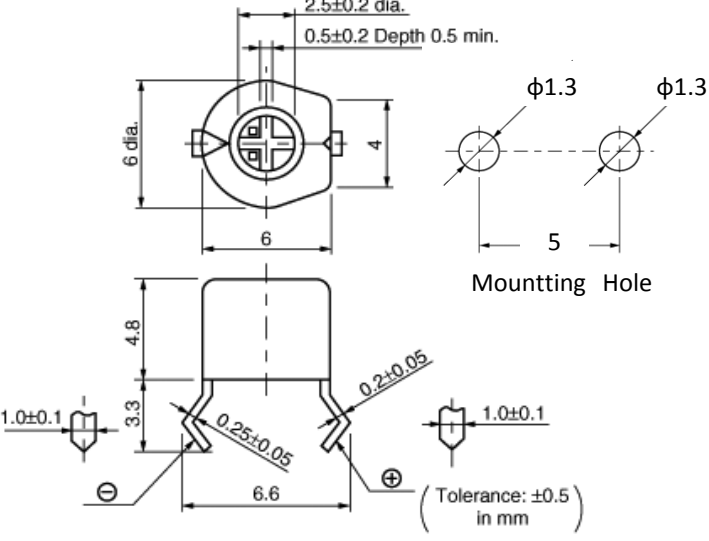
<p><input type="checkbox"/> We accept the EOL of TZ03 series.</p> <p><input type="checkbox"/> Other</p> <p>Comment:</p>          <p>Company name: _____</p> <p>Signature: _____</p> <p>Date: _____</p>
--

■ Part Number List

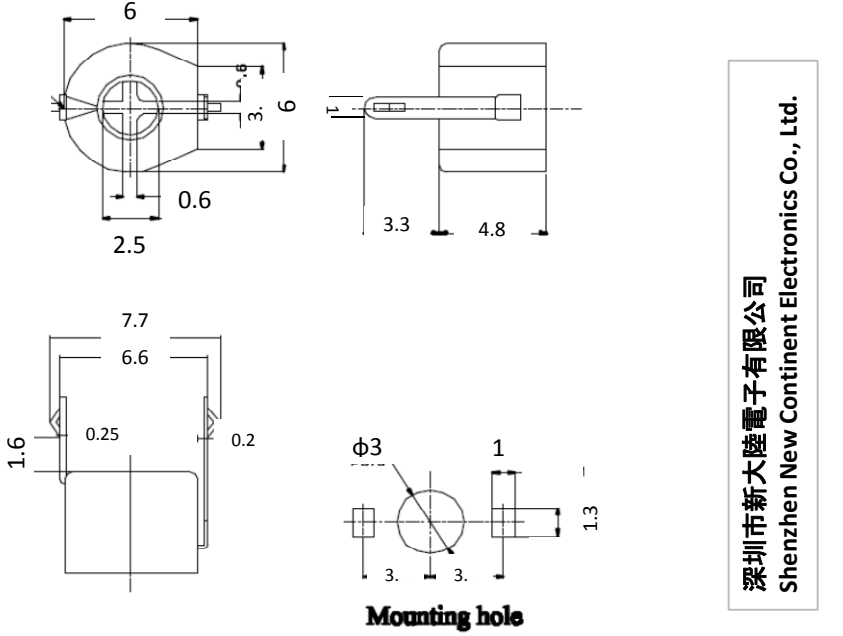
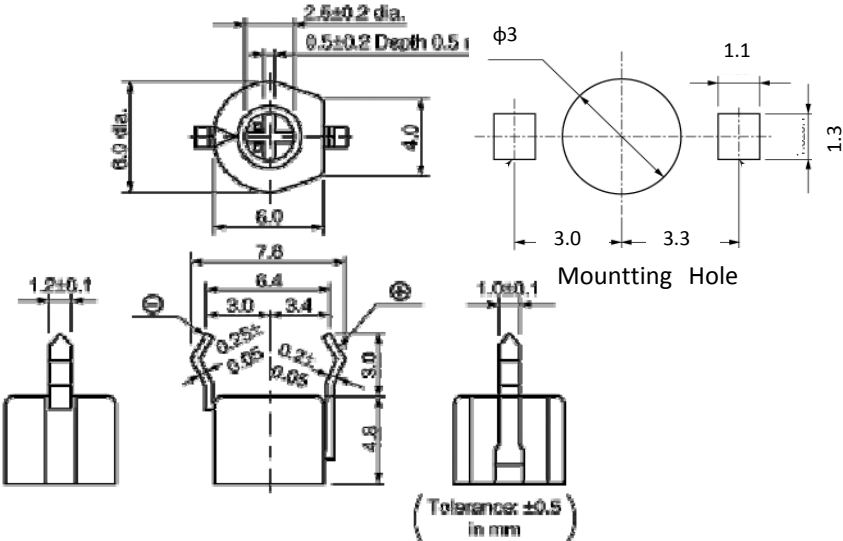
Customer Name	Your Part Number	Murata Part Number	Sales Result(pcs./Year)		
			2010F	2011F	2012F
MOUSER ELECTRONICS	TZ03P450F169B00	TZ03P450F169B00	10,000	0	4,000
MOUSER ELECTRONICS	TZ03P450N169B00	TZ03P450N169B00	2,000	1,000	0
MOUSER ELECTRONICS	TZ03P600F169B00	TZ03P600F169B00	27,000	3,000	39,000
MOUSER ELECTRONICS	TZ03P600N169B00	TZ03P600N169B00	2,000	0	0
MOUSER ELECTRONICS	TZ03R121F169B00	TZ03R121F169B00	22,000	13,000	0
MOUSER ELECTRONICS	TZ03R121N169B00	TZ03R121N169B00	0	1,000	0
MOUSER ELECTRONICS	TZ03R200F169B00	TZ03R200F169B00	3,000	3,000	5,000
MOUSER ELECTRONICS	TZ03R200N169B00	TZ03R200N169B00	2,000	0	0
MOUSER ELECTRONICS	TZ03R300F169B00	TZ03R300F169B00	5,000	6,000	10,000
MOUSER ELECTRONICS	TZ03R300N169B00	TZ03R300N169B00	2,000	0	1,000
MOUSER ELECTRONICS	TZ03R900F169B00	TZ03R900F169B00	4,000	0	1,000
MOUSER ELECTRONICS	TZ03T110F169B00	TZ03T110F169B00	2,000	2,000	3,000
MOUSER ELECTRONICS	TZ03Z050F169B00	TZ03Z050F169B00	3,000	5,000	6,000
MOUSER ELECTRONICS	TZ03Z050N169B00	TZ03Z050N169B00	4,000	0	0
MOUSER ELECTRONICS	TZ03Z070F169B00	TZ03Z070F169B00	0	0	2,000
MOUSER ELECTRONICS	TZ03Z070N169B00	TZ03Z070N169B00	2,000	0	0
MOUSER ELECTRONICS	TZ03Z100F169B00	TZ03Z100F169B00	5,000	1,000	5,000
MOUSER ELECTRONICS	TZ03Z100N169B00	TZ03Z100N169B00	0	1,000	0
MOUSER ELECTRONICS	TZ03Z2R3F169B00	TZ03Z2R3F169B00	1,000	0	1,000
MOUSER ELECTRONICS	TZ03Z2R3N169B00	TZ03Z2R3N169B00	2,000	0	0
MOUSER ELECTRONICS	TZ03Z500F169B00	TZ03Z500F169B00	19,000	11,000	0
MOUSER ELECTRONICS	TZ03Z500N169B00	TZ03Z500N169B00	1,000	1,000	0
MOUSER ELECTRONICS	TZ03R900N169B00	TZ03R900N169B00	0	0	0
MOUSER ELECTRONICS	TZ03Z050Y169B00	TZ03Z050Y169B00	0	0	0
MOUSER ELECTRONICS	TZ03T110N169B00	TZ03T110N169B00	0	0	0

# Cross Reference for muRata TZ03 series

## (1) Top adjustment type

P/N	Dimensions
<p>NCE TC03_H Series Integration (Replacement)</p>	 <p style="text-align: center;"><b>Mounting hole</b></p> <div style="border: 1px solid black; padding: 5px; text-align: center;"> <p>深圳市新大陸電子有限公司 Shenzhen New Continent Electronics Co., Ltd.</p> </div>
<p>muRata TZ03_F Series Withdrawn item</p>	 <p style="text-align: center;">Mounting Hole</p> <p style="text-align: center;">(Tolerance: ±0.5 in mm)</p>

## (2) Rear adjustment type

P/N	Dimensions
<p>NCE TC03_N Series Integration (Replacement)</p>	 <p style="text-align: center;"><b>Mounting hole</b></p> <div style="border: 1px solid black; padding: 5px; text-align: center;"> <p>深圳市新大陸電子有限公司 Shenzhen New Continent Electronics Co., Ltd.</p> </div>
<p>muRata TZ03_N Series Withdrawn item</p>	 <p style="text-align: center;">Mounting Hole</p> <p style="text-align: center;">(Tolerance: ±0.5 in mm)</p>

Note: There isn't any replacement item of TZ03\_Y type due to side adjustment.

# Replacement P/N for muRata TZ03 series

Withdrawn Products/muRata TZ03 series							Integration Products/NCE TC03 series					
							深圳市新大陸電子有限公司 Shenzhen New Continent Electronics Co., Ltd.					
	MURATA P/N	Capacitance[pF]		Temp. Coefficient [ppm/°C]	Q (at 1MHz Cmax.)	Rated voltage [V.D.C]	NCE P/N	Capacitance[pF]		Temp. Coefficient [ppm/°C]	Q (at 1MHz Cmax.)	Rated voltage [V.D.C]
		Cmin.	Cmax.					Cmin.	Cmax.			
1	TZ03Z2R3■169B00	1.25	2.3	NP0±200	300	100	TC03Z050▲169B00	2.0	5.0	NP0±300	500	100
2	TZ03Z050■169B00	1.5	5.0	NP0±200	500	100	TC03Z050▲169B00	2.0	5.0	NP0±300	500	100
3	TZ03Z070■169B00	2.0	7.0	NP0±200	500	100	TC03Z100▲169B00	3.0	10.0	NP0±300	500	100
4	TZ03N100■169B00	2.1	10.0	N200±200	500	100	TC03Z100▲169B00	3.0	10.0	NP0±300	500	100
5	TZ03Z100■169B00	2.7	10.0	NP0±200	500	100	TC03Z100▲169B00	3.0	10.0	NP0±300	500	100
6	TZ03T110■169B00	3.0	11.0	N450±300	500	100	TC03Z100▲169B00	3.0	10.0	NP0±300	500	100
7	TZ03R200■169B00	4.2	20.0	N750±300	500	100	TC03SL200▲169B00	5.5	20.0	N1200±500	500	100
8	TZ03T200■169B00	4.2	20.0	N450±300	500	100	TC03SL200▲169B00	5.5	20.0	N1200±500	500	100
9	TZ03R300■169B00	5.2	30.0	N750±300	500	100	TC03SL300▲169B00	6.5	30.0	N1200±500	500	100
10	TZ03P450■169B00	6.8	45.0	N1200±500	300	100	TC03DL500▲169B00	12.0	50.0	N2200±800	300	100
11	TZ03P600■169B00	9.8	60.0	N1200±500	300	100	TC03DL600▲169B00	14.0	60.0	N2200±800	300	100
12	TZ03Z500■169B00	6.0	50.0	NP0±300	300	50	TC03DL500▲169B00	12.0	50.0	N2200±800	300	100
13	TZ03R900■169B00	9.0	90.0	N750±300	300	50	TC03D900▲169B00	25.0	90.0	N3300±1200	300	100
14	TZ03R121■169B00	10.0	120.0	N750±300	300	50	TC03D121▲169B00	35.0	120.0	N3300±1200	300	100

note: ■ is filled with F or N as terminal shape. F is for top adjustment, N is for rear adjustment, and Y is for side adjustment.

▲ is filled with H or N as terminal shape. H is for top adjustment, N is for rear adjustment.

There isn't any replacement item instead of TZ03\_Y type due to side adjustment.