

74ABT657

Octal transceiver with parity generator/checker; 3-state

Rev. 03 — 15 March 2010

Product data sheet

1. General description

The 74ABT657 high-performance BiCMOS device combines low static and dynamic power dissipation with high speed and high output drive.

The 74ABT657 is an octal transceiver featuring non-inverting buffers with 3-state outputs and an 8-bit parity generator/checker, and is intended for bus-oriented applications. The buffers have a guaranteed current sinking capability of 64 mA. The Transmit/Receive input (pin T/R) determines the direction of the data flow through the bidirectional transceivers. Transmit (active HIGH) enables data from A ports to B ports; Receive (active LOW) enables data from B ports to A ports.

When Output Enable input (pin \overline{OE}) is HIGH, both A and B ports are high-impedance. The parity select input (pin $\overline{ODD/EVEN}$) allows the user to generate either an odd or even parity output, depending on the system. Pin PARITY is an output from the generator/checker when transmitting from port A to port B (pin $\overline{T/R}$ = HIGH) and an input when receiving from port B to port A port (pin $\overline{T/R}$ = LOW).

In transmit mode (pin $\overline{T/R}$ = HIGH) port A is polled to determine the number of HIGH inputs on port A. Pin PARITY output goes to the logic state determined by the setting of pin $\overline{ODD/EVEN}$ and by the number of HIGH inputs on port A. For example, if pin $\overline{ODD/EVEN}$ is set LOW (even parity) and the number of HIGH inputs on port A is odd, pin PARITY output goes HIGH, transmitting even parity. If the number of HIGH inputs on port A is even, pin PARITY output goes LOW, keeping even parity.

In receive mode (pin $\overline{T/R}$ = LOW) port B is polled to determine the number of HIGH inputs on port B. If pin $\overline{ODD/EVEN}$ is LOW (even parity) and the number of HIGH inputs on port B is:

- Odd and pin PARITY input is HIGH, pin \overline{ERROR} is HIGH, indicating no error
- Even and pin PARITY input is HIGH, pin \overline{ERROR} goes LOW, indicating an error

2. Features and benefits

- Combinational functions in one package
- Low static and dynamic power dissipation with high speed and high output drive
- Output capability: +64 mA and -32 mA
- Power-up 3-state
- Latch-up protection exceeds 500 mA per JESD78B class II level A
- ESD protection:
 - ◆ HBM JESD22-A114F exceeds 2000 V
 - ◆ MM JESD22-A115-A exceeds 200 V



3. Ordering information

Table 1. Ordering information

Type number	Package			Version
	Temperature range	Name	Description	
74ABT657D	-40 °C to +85 °C	SO24	plastic small outline package; 24 leads; body width 7.5 mm	SOT137-1
74ABT657DB	-40 °C to +85 °C	SSOP24	plastic shrink small outline package; 24 leads; body width 5.3 mm	SOT340-1
74ABT657PW	-40 °C to +85 °C	TSSOP24	plastic thin shrink small outline package; 24 leads; body width 4.4 mm	SOT355-1

4. Functional diagram

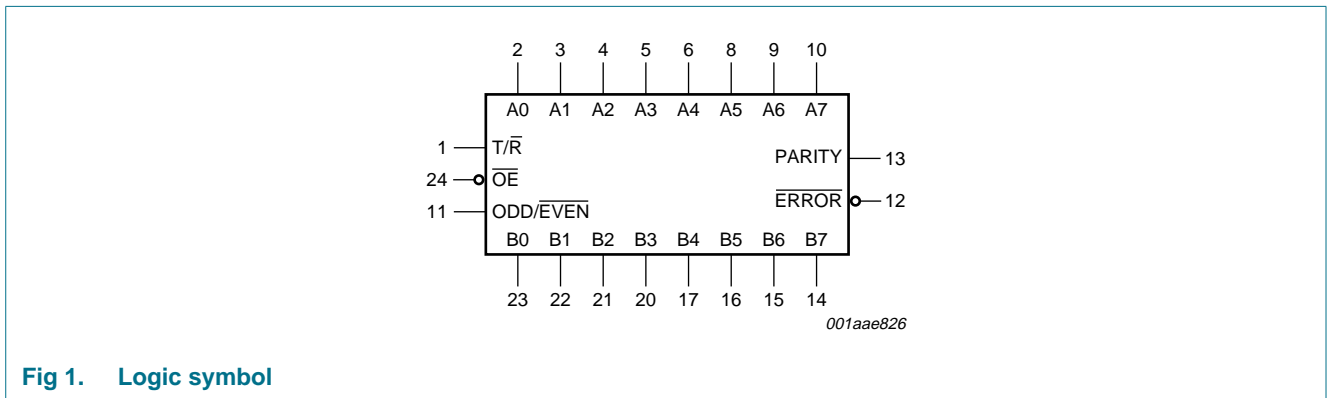


Fig 1. Logic symbol

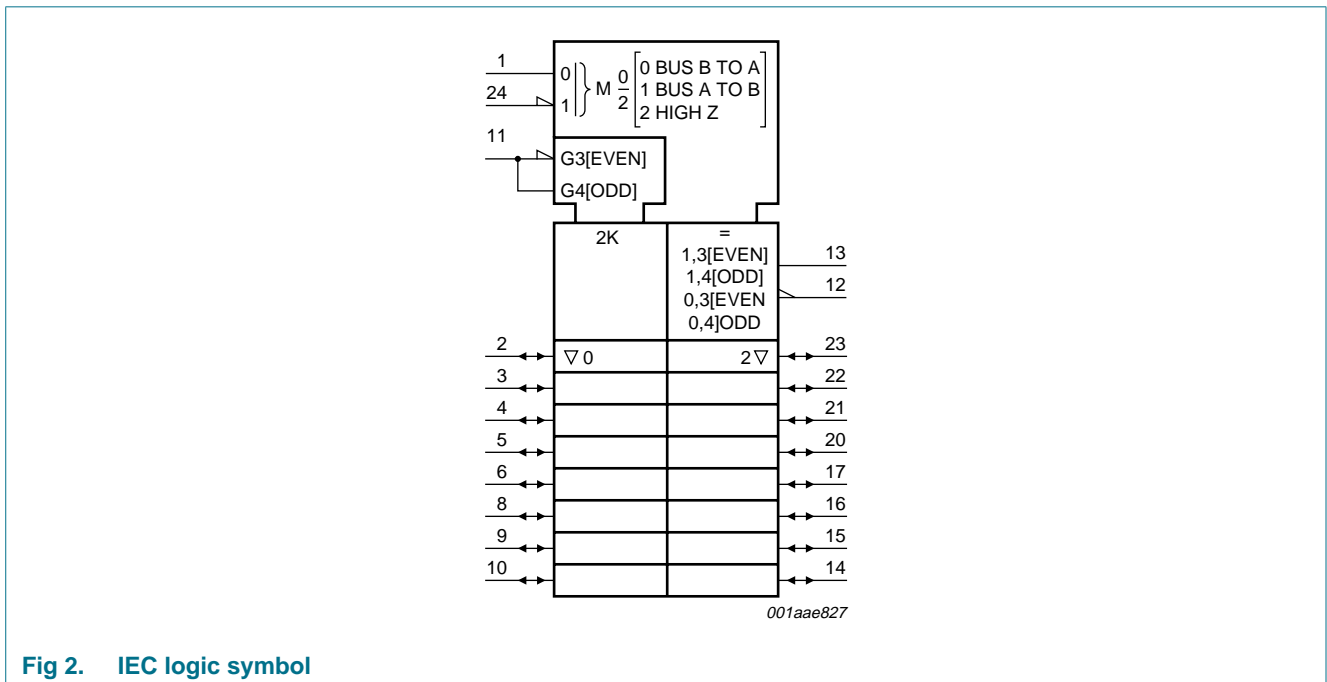


Fig 2. IEC logic symbol

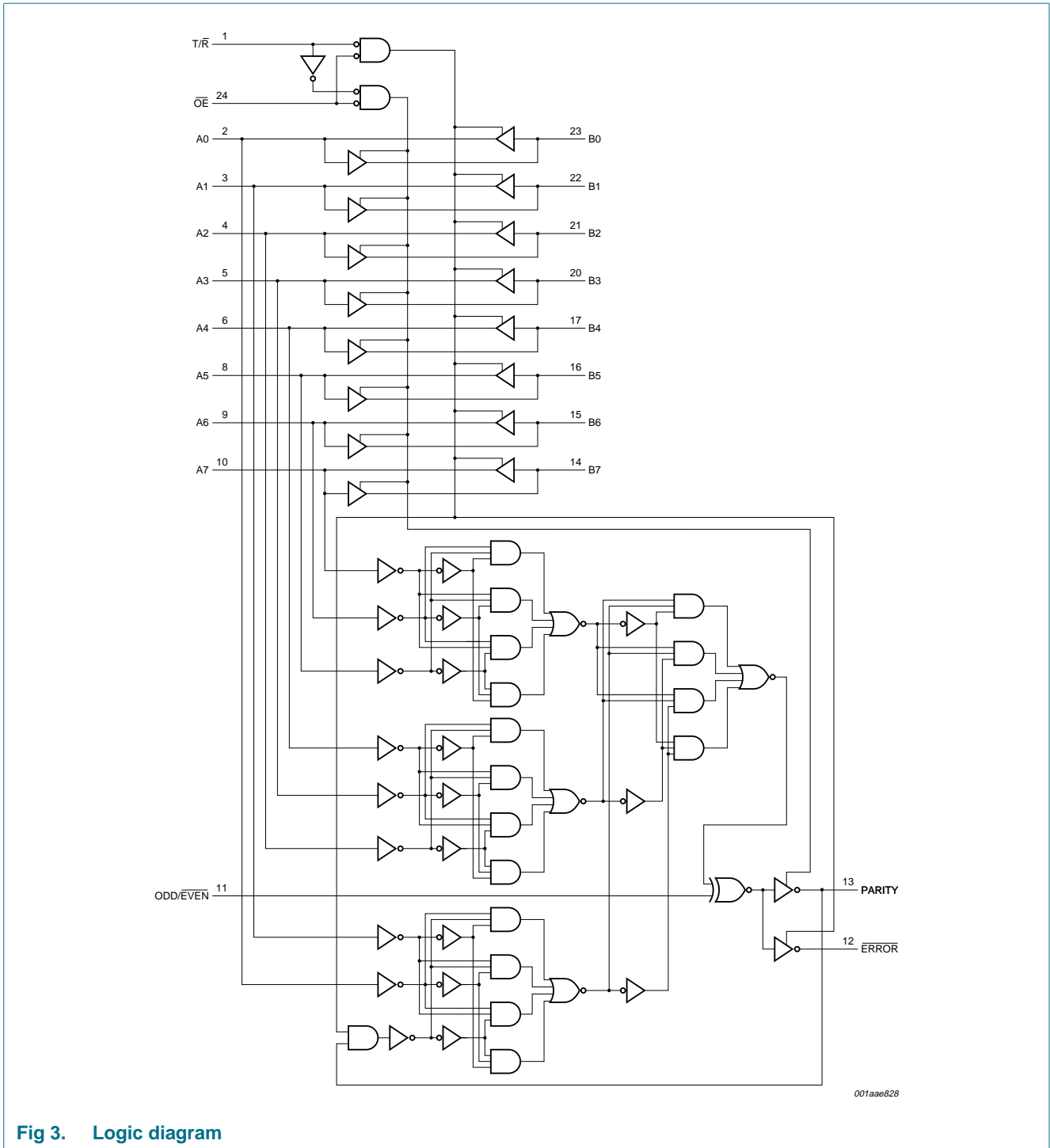


Fig 3. Logic diagram

5. Pinning information

5.1 Pinning

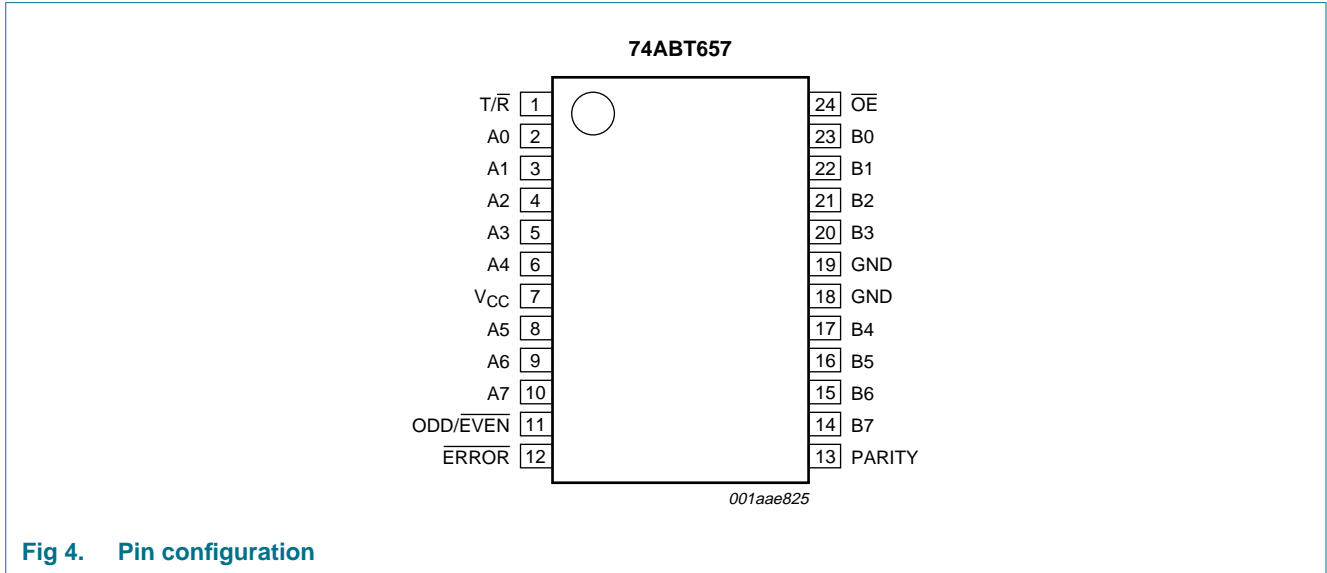


Fig 4. Pin configuration

5.2 Pin description

Table 2. Pin description

Symbol	Pin	Description
T/R	1	transmit/receive input
A0 to A7	2, 3, 4, 5, 6, 8, 9, 10	A port input/3-state output
V _{CC}	7	positive supply voltage
ODD/EVEN	11	parity select input
ERROR	12	error output in receive mode
PARITY	13	parity output in transmit mode/input in receive mode
B0 to B7	23, 22, 21, 20, 17, 16, 15, 14	B port input/3-state output
GND	18, 19	ground (0 V)
OE	24	output enable input (active LOW)

6. Functional description

6.1 Function selection

Table 3. Function selection^[1]

Number of inputs HIGH	Inputs			Data I/O	Output	
	OE	T/R	ODD/EVEN	PARITY	ERROR	Mode
0, 2, 4, 6 and 8 (even)	L	H	H	H	Z	transmit
	L	H	L	L	Z	transmit
	L	L	H	H	H	receive
	L	L	H	L	L	receive
	L	L	L	H	L	receive
	L	L	L	L	H	receive
1, 3, 5 and 7 (odd)	L	H	H	L	Z	transmit
	L	H	L	H	Z	transmit
	L	L	H	H	L	receive
	L	L	H	L	H	receive
	L	L	L	H	H	receive
	L	L	L	L	L	receive
Don't care	H	X	X	Z	Z	3-state

- [1] H = HIGH voltage level;
 L = LOW voltage level;
 X = don't care;
 Z = high-impedance OFF-state.

7. Limiting values

Table 4. Limiting values

In accordance with the Absolute Maximum Rating System (IEC 60134).

Symbol	Parameter	Conditions	Min	Max	Unit
V_{CC}	supply voltage		-0.5	+7.0	V
V_I	input voltage		[1] -1.2	+7.0	V
V_O	output voltage	output in OFF-state or HIGH-state	[1] -0.5	+5.5	V
I_{IK}	input clamping current	$V_I < 0$ V	-18	-	mA
I_{OK}	output clamping current	$V_O < 0$ V	-50	-	mA
I_O	output current	output in LOW-state	-	128	mA
T_j	junction temperature		[2] -	150	°C
T_{stg}	storage temperature		-65	+150	°C

[1] The input and output voltage ratings may be exceeded if the input and output current ratings are observed.

[2] The performance capability of a high-performance integrated circuit in conjunction with its thermal environment can create junction temperatures which are detrimental to reliability. The maximum junction temperature of this integrated circuit should not exceed 150 °C.

8. Recommended operating conditions

Table 5. Recommended operating conditions

Symbol	Parameter	Conditions	Min	Typ	Max	Unit
V_{CC}	supply voltage		4.5	-	5.5	V
V_I	input voltage		0	-	V_{CC}	V
V_{IH}	HIGH-level input voltage		2.0	-	-	V
V_{IL}	LOW-level input voltage		-	-	0.8	V
I_{OH}	HIGH-level output current		-32	-	-	mA
I_{OL}	LOW-level output current		-	-	64	mA
$\Delta t/\Delta V$	input transition rise and fall rate		0	-	5	ns/V
T_{amb}	ambient temperature	in free air	-40	-	+85	°C

9. Static characteristics

Table 6. Static characteristics

Symbol	Parameter	Conditions	25 °C			-40 °C to +85 °C		Unit	
			Min	Typ	Max	Min	Max		
V _{IK}	input clamping voltage	V _{CC} = 4.5 V; I _{IK} = -18 mA	-1.2	-0.9	-	-1.2	-	V	
V _{OH}	HIGH-level output voltage	V _I = V _{IL} or V _{IH}							
		V _{CC} = 4.5 V; I _{OH} = -3 mA	2.5	3.5	-	2.5	-	V	
		V _{CC} = 5.0 V; I _{OH} = -3 mA	3.0	4.0	-	3.0	-	V	
		V _{CC} = 4.5 V; I _{OH} = -32 mA	2.0	2.6	-	2.0	-	V	
V _{OL}	LOW-level output voltage	V _{CC} = 4.5 V; I _{OL} = 64 mA; V _I = V _{IL} or V _{IH}	-	0.42	0.55	-	0.55	V	
I _I	input leakage current	V _{CC} = 5.5 V; V _I = GND or 5.5 V							
		control pins	-	±0.01	±1.0	-	±1.0	μA	
		data pins	-	±5	±100	-	±100	μA	
I _{OFF}	power-off leakage current	V _{CC} = 0 V; V _I or V _O ≤ 4.5 V	-	±5.0	±100	-	±100	μA	
I _{O(pu/pd)}	power-up/power-down output current	V _{CC} = 2.0 V; V _O = 0.5 V; V _I = GND or V _{CC} ; \overline{OE} HIGH	[1]	-	±5.0	±50	-	±50	μA
I _{OZ}	OFF-state output current	V _{CC} = 5.5 V; V _I = V _{IL} or V _{IH}							
		V _O = 2.7 V	-	5.0	50	-	50	μA	
		V _O = 0.5 V	-	-5.0	-50	-	-50	μA	
I _{LO}	output leakage current	HIGH-state; V _O = 5.5 V; V _{CC} = 5.5 V; V _I = GND or V _{CC}	-	5.0	50	-	50	μA	
I _O	output current	V _{CC} = 5.5 V; V _O = 2.5 V	[2]	-180	-100	-50	-180	-50	mA
I _{CC}	supply current	V _{CC} = 5.5 V; V _I = GND or V _{CC}							
		outputs HIGH-state	-	0.5	250	-	250	μA	
		outputs LOW-state	-	20	30	-	30	mA	
		outputs disabled	-	0.5	250	-	250	μA	
ΔI _{CC}	additional supply current	per input pin; V _{CC} = 5.5 V; one input at 3.4 V; other inputs at V _{CC} or GND	[3]						
		outputs enabled	-	0.5	1.5	-	1.5	mA	
		outputs 3-state, one data input	-	50	250	-	250	μA	
		outputs 3-state; one enable input	-	0.5	1.5	-	1.5	mA	
C _I	input capacitance	V _I = 0 V or V _{CC}	-	4	-	-	-	pF	
C _{I/O}	input/output capacitance	outputs disabled; V _O = 0 V or V _{CC}	-	7	-	-	-	pF	

[1] This parameter is valid for any V_{CC} between 0 V and 2.1 V with a transition time of up to 10 ms. For V_{CC} = 2.1 V to V_{CC} = 5 V ± 10 %, a transition time of up to 100 μs is permitted.

[2] Not more than one output should be tested at a time, and the duration of the test should not exceed one second.

[3] This is the increase in supply current for each input at 3.4 V.

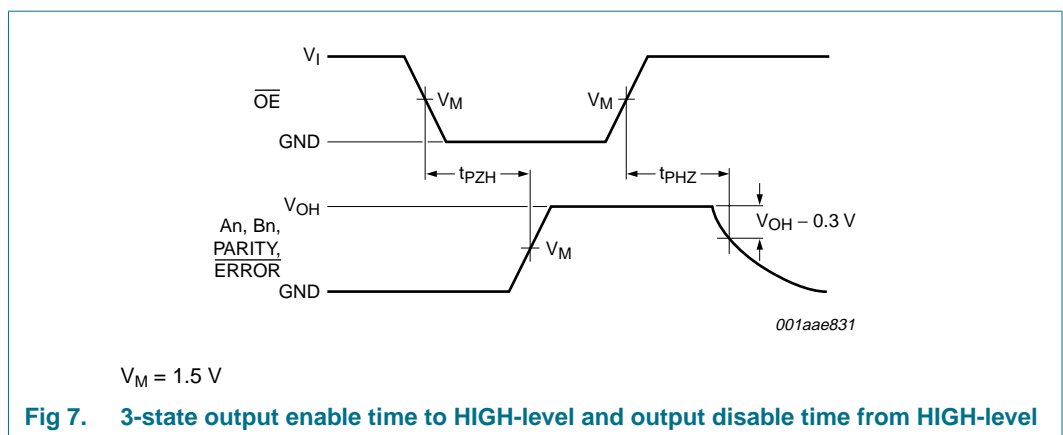
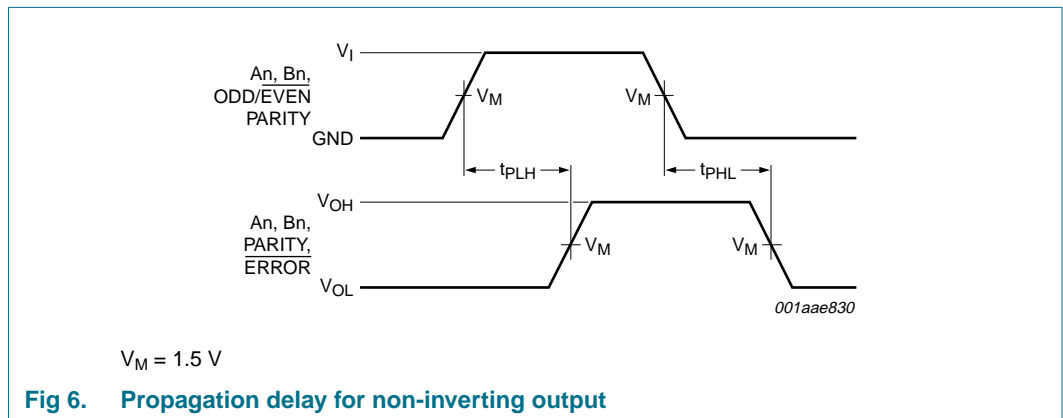
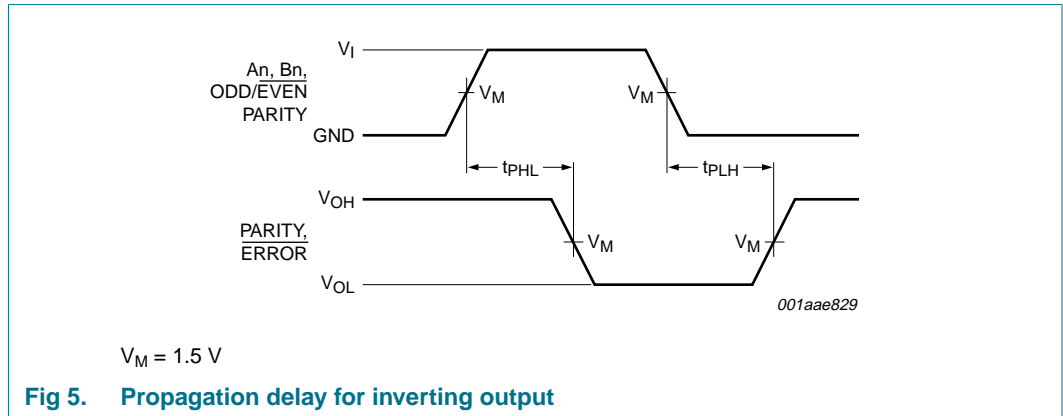
10. Dynamic characteristics

Table 7. Dynamic characteristics
GND = 0 V; for test circuit, see Figure 9.

Symbol	Parameter	Conditions	25 °C; V _{CC} = 5.0 V			-40 °C to +85 °C; V _{CC} = 5.0 V ± 0.5 V		Unit	
			Min	Typ	Max	Min	Max		
t _{PLH}	LOW to HIGH propagation delay	An to Bn or Bn to An; see Figure 6	1.1	2.5	4.1	1.1	4.6	ns	
		An to PARITY; see Figure 5 and 6	2.5	5.1	6.7	2.5	8.1	ns	
		ODD/ $\overline{\text{EVEN}}$ to PARITY and $\overline{\text{ERROR}}$; see Figure 5 and 6	1.7	3.5	4.6	1.7	5.3	ns	
		Bn to $\overline{\text{ERROR}}$; see Figure 5 and 6	3.9	7.3	10.2	3.9	12.3	ns	
		PARITY to $\overline{\text{ERROR}}$; see Figure 5 and 6	2.7	4.5	5.9	2.7	7.7	ns	
t _{PHL}	HIGH to LOW propagation delay	An to Bn or Bn to An; see Figure 6	1.2	3.0	3.9	1.2	4.3	ns	
		An to PARITY; see Figure 5 and 6	2.8	5.0	7.4	2.8	8.9	ns	
		ODD/ $\overline{\text{EVEN}}$ to PARITY and $\overline{\text{ERROR}}$; see Figure 5 and 6	1.9	3.7	5.1	1.9	5.8	ns	
		Bn to $\overline{\text{ERROR}}$; see Figure 5 and 6	4.0	7.9	10.5	4.0	12.9	ns	
		PARITY to $\overline{\text{ERROR}}$; see Figure 5 and 6	3.2	5.2	6.7	3.2	8.1	ns	
t _{PZH}	OFF-state to HIGH propagation delay	see Figure 7 and 8	[1]	1.3	3.6	5.5	1.3	6.5	ns
t _{PZL}	OFF-state to LOW propagation delay	see Figure 7 and 8	[1]	1.9	4.2	5.3	1.9	6.5	ns
t _{PHZ}	HIGH to OFF-state propagation delay	see Figure 7 and 8		2.4	3.6	5.6	2.4	6.2	ns
t _{PLZ}	LOW to OFF-state propagation delay	see Figure 7 and 8		2.2	3.4	7.3	2.2	7.8	ns

[1] These delay times reflect the 3-state recovery time only and do not include the delay through the buffers and the parity check circuitry which affect the $\overline{\text{ERROR}}$ output. To ensure **valid** information at the $\overline{\text{ERROR}}$ pin, time must be allowed for the signal to propagate through the drivers (B to A), through the parity check circuitry (same as A to PARITY), and to the $\overline{\text{ERROR}}$ output. **Valid** data at the $\overline{\text{ERROR}}$ pin \geq (B to A) + (A to PARITY).

11. Waveforms



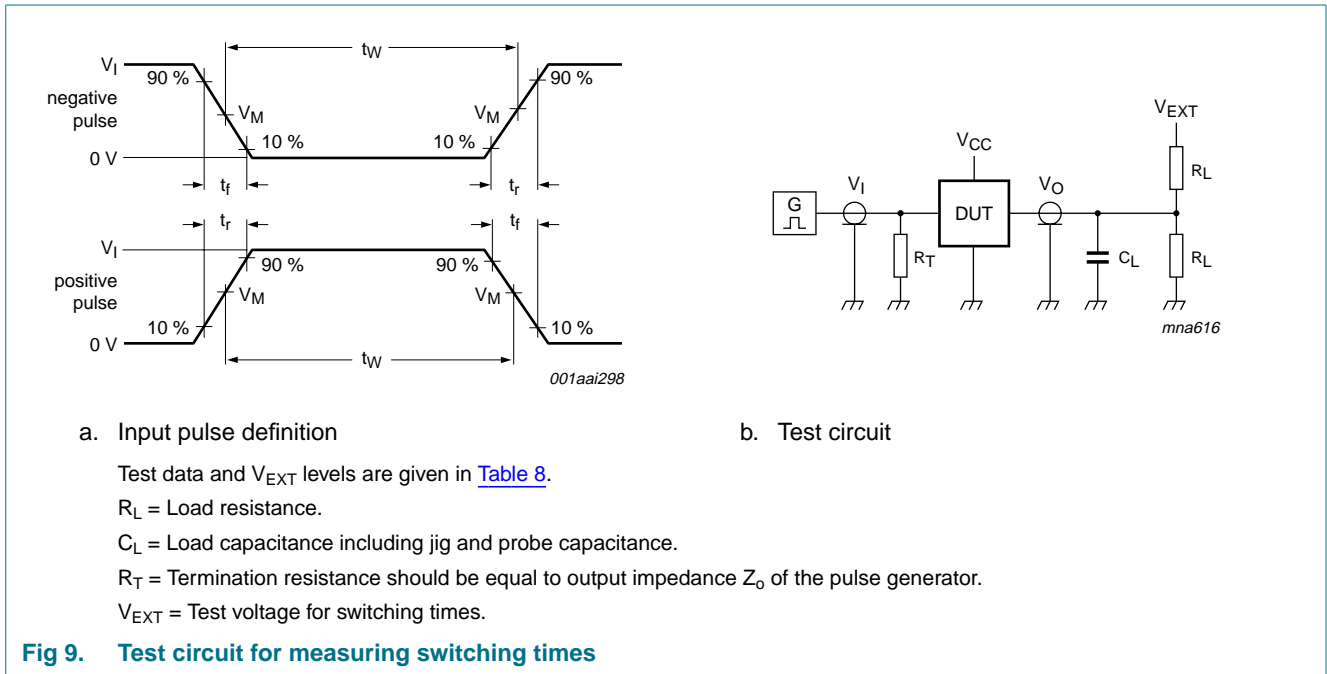
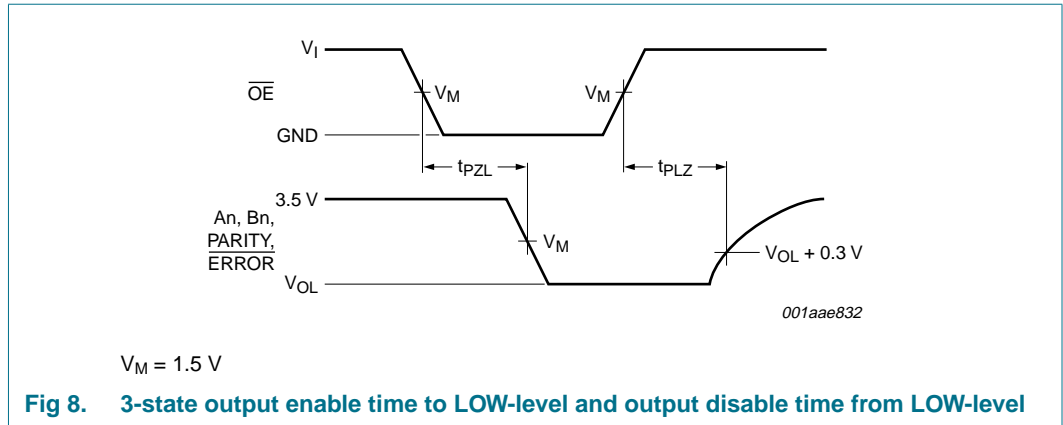


Table 8. Test data

Input				Load		V_{EXT}		
V_I	f_I	t_W	t_r, t_f	C_L	R_L	t_{PHL}, t_{PLH}	t_{PZH}, t_{PHZ}	t_{PZL}, t_{PLZ}
3.0 V	1 MHz	500 ns	≤ 2.5 ns	50 pF	500 Ω	open	open	7.0 V

12. Package outline

SO24: plastic small outline package; 24 leads; body width 7.5 mm

SOT137-1

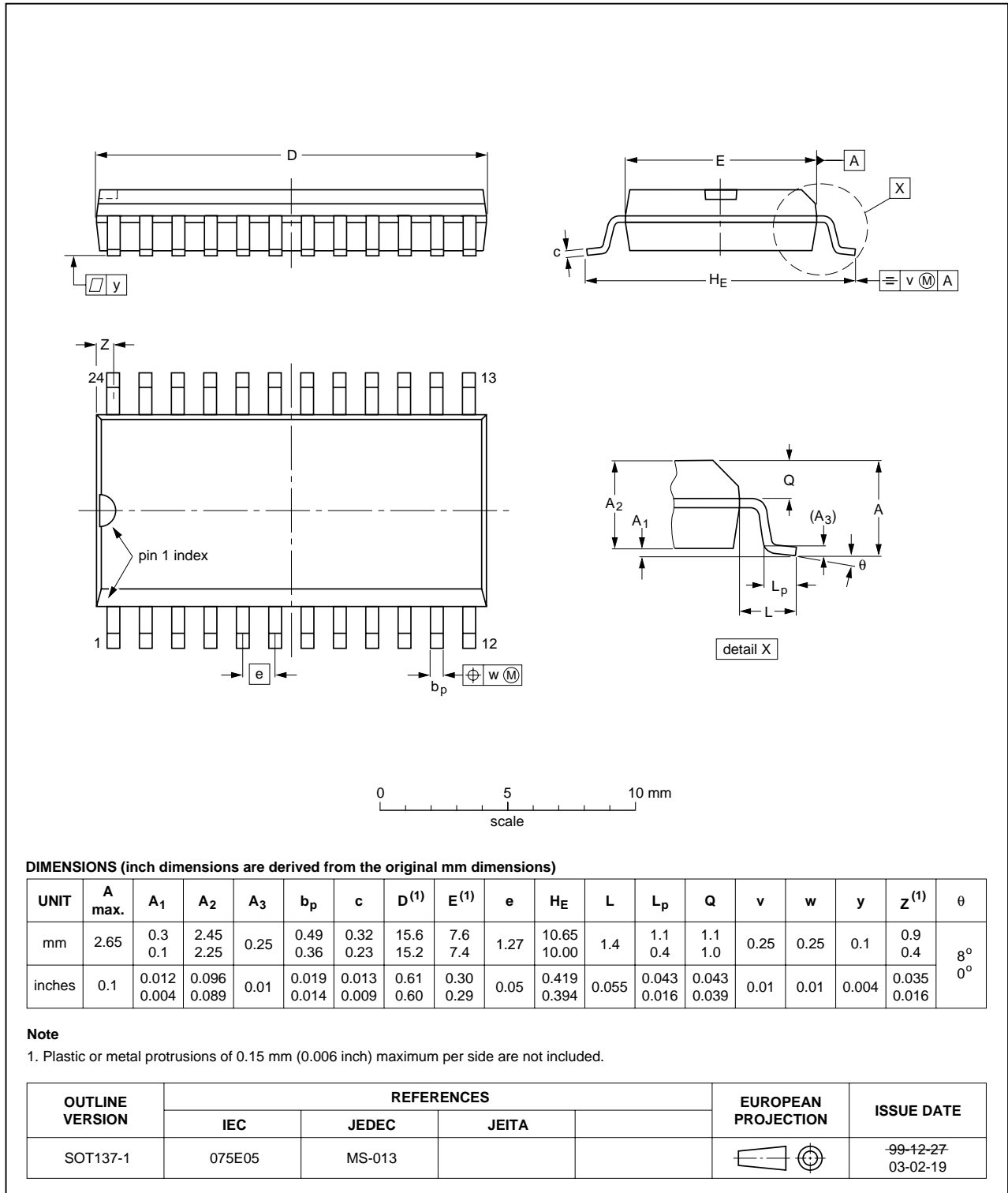


Fig 10. Package outline SOT137-1 (SO24)

SSOP24: plastic shrink small outline package; 24 leads; body width 5.3 mm

SOT340-1

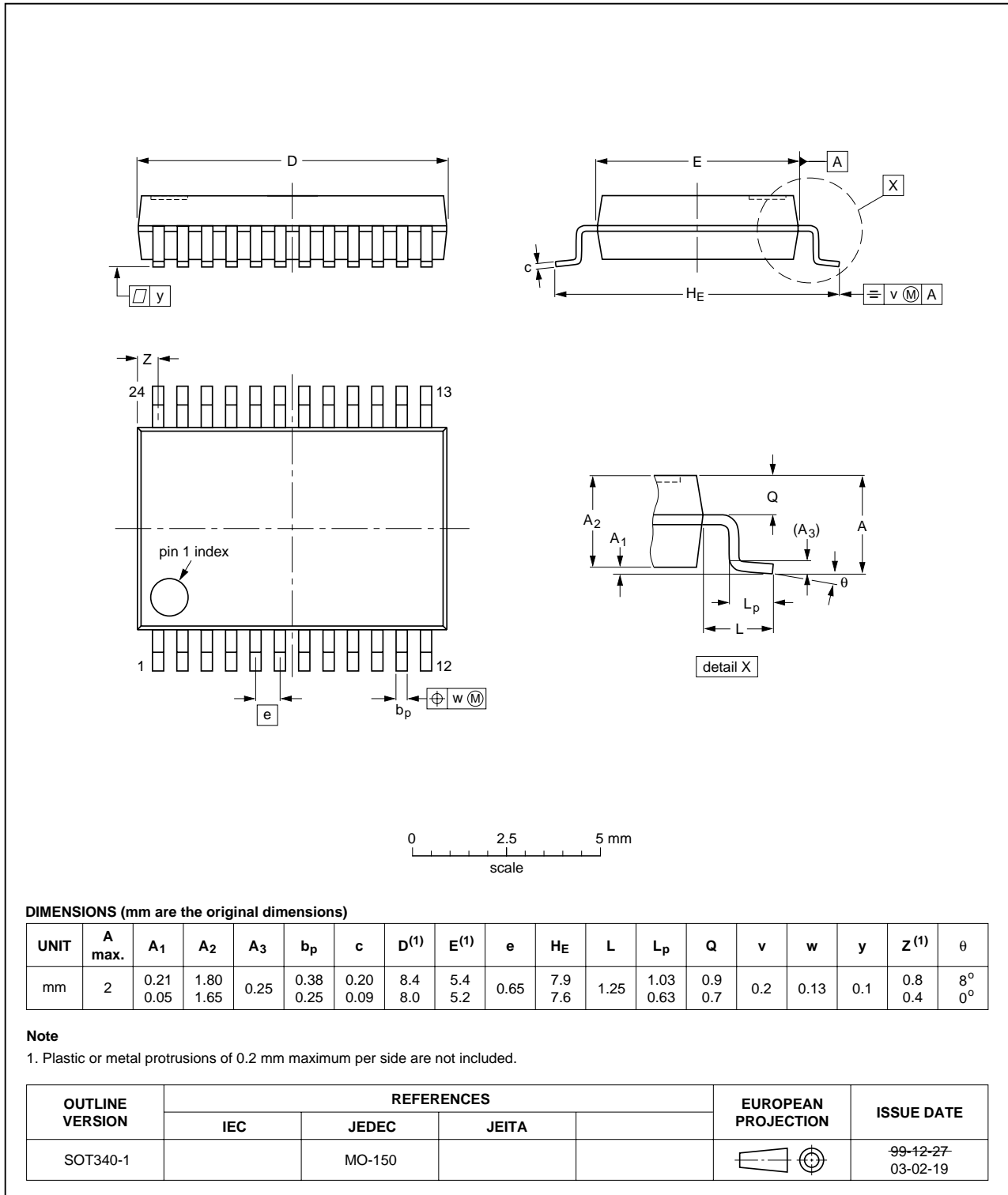


Fig 11. Package outline SOT340-1 (SSOP24)

TSSOP24: plastic thin shrink small outline package; 24 leads; body width 4.4 mm

SOT355-1

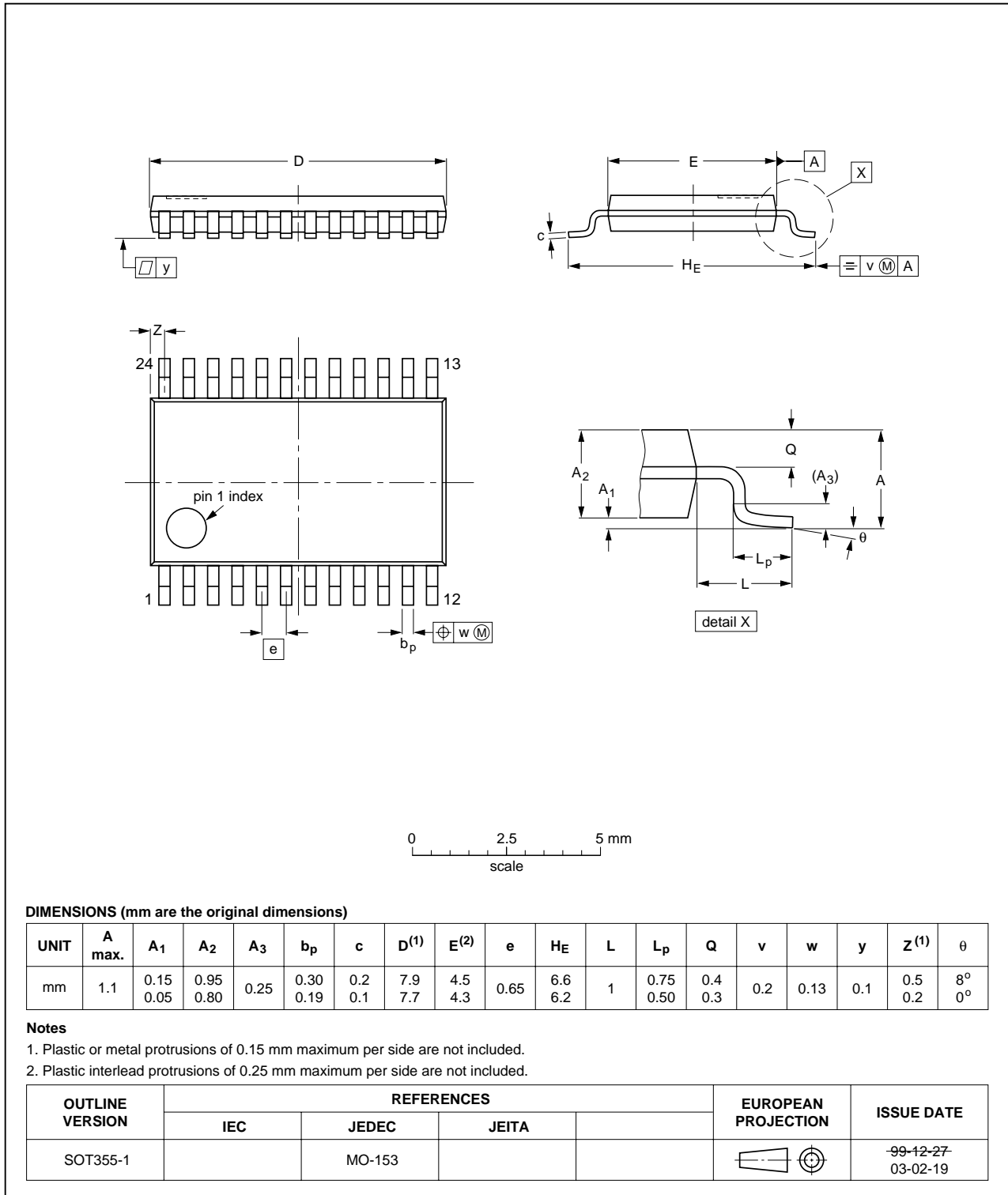


Fig 12. Package outline SOT355-1 (TSSOP24)

13. Abbreviations

Table 9. Abbreviations

Acronym	Description
BiCMOS	Bipolar Complementary Metal-Oxide Semiconductor
DUT	Device Under Test
ESD	ElectroStatic Discharge
HBM	Human Body Model
MM	Machine Model

14. Revision history

Table 10. Revision history

Document ID	Release date	Data sheet status	Change notice	Supersedes
74ABT657_3	20100315	Product data sheet	-	74ABT657_2
Modifications:	<ul style="list-style-type: none"> The format of this data sheet has been redesigned to comply with the new identity guidelines of NXP Semiconductors. Legal texts have been adapted to the new company name where appropriate. DIP 24 (SOT222-1) package removed from Section 3 "Ordering information" and Section 12 "Package outline". 			
74ABT657_2	20041027	Product specification	-	74ABT657
74ABT657	19951211	Product specification	-	-

15. Legal information

15.1 Data sheet status

Document status ^{[1][2]}	Product status ^[3]	Definition
Objective [short] data sheet	Development	This document contains data from the objective specification for product development.
Preliminary [short] data sheet	Qualification	This document contains data from the preliminary specification.
Product [short] data sheet	Production	This document contains the product specification.

[1] Please consult the most recently issued document before initiating or completing a design.

[2] The term 'short data sheet' is explained in section "Definitions".

[3] The product status of device(s) described in this document may have changed since this document was published and may differ in case of multiple devices. The latest product status information is available on the Internet at URL <http://www.nxp.com>.

15.2 Definitions

Draft — The document is a draft version only. The content is still under internal review and subject to formal approval, which may result in modifications or additions. NXP Semiconductors does not give any representations or warranties as to the accuracy or completeness of information included herein and shall have no liability for the consequences of use of such information.

Short data sheet — A short data sheet is an extract from a full data sheet with the same product type number(s) and title. A short data sheet is intended for quick reference only and should not be relied upon to contain detailed and full information. For detailed and full information see the relevant full data sheet, which is available on request via the local NXP Semiconductors sales office. In case of any inconsistency or conflict with the short data sheet, the full data sheet shall prevail.

Product specification — The information and data provided in a Product data sheet shall define the specification of the product as agreed between NXP Semiconductors and its customer, unless NXP Semiconductors and customer have explicitly agreed otherwise in writing. In no event however, shall an agreement be valid in which the NXP Semiconductors product is deemed to offer functions and qualities beyond those described in the Product data sheet.

15.3 Disclaimers

Limited warranty and liability — Information in this document is believed to be accurate and reliable. However, NXP Semiconductors does not give any representations or warranties, expressed or implied, as to the accuracy or completeness of such information and shall have no liability for the consequences of use of such information.

In no event shall NXP Semiconductors be liable for any indirect, incidental, punitive, special or consequential damages (including - without limitation - lost profits, lost savings, business interruption, costs related to the removal or replacement of any products or rework charges) whether or not such damages are based on tort (including negligence), warranty, breach of contract or any other legal theory.

Notwithstanding any damages that customer might incur for any reason whatsoever, NXP Semiconductors' aggregate and cumulative liability towards customer for the products described herein shall be limited in accordance with the *Terms and conditions of commercial sale* of NXP Semiconductors.

Right to make changes — NXP Semiconductors reserves the right to make changes to information published in this document, including without limitation specifications and product descriptions, at any time and without notice. This document supersedes and replaces all information supplied prior to the publication hereof.

Suitability for use in automotive applications — This NXP Semiconductors product has been qualified for use in automotive applications. The product is not designed, authorized or warranted to be

suitable for use in medical, military, aircraft, space or life support equipment, nor in applications where failure or malfunction of an NXP Semiconductors product can reasonably be expected to result in personal injury, death or severe property or environmental damage. NXP Semiconductors accepts no liability for inclusion and/or use of NXP Semiconductors products in such equipment or applications and therefore such inclusion and/or use is at the customer's own risk.

Applications — Applications that are described herein for any of these products are for illustrative purposes only. NXP Semiconductors makes no representation or warranty that such applications will be suitable for the specified use without further testing or modification.

NXP Semiconductors does not accept any liability related to any default, damage, costs or problem which is based on a weakness or default in the customer application/use or the application/use of customer's third party customer(s) (hereinafter both referred to as "Application"). It is customer's sole responsibility to check whether the NXP Semiconductors product is suitable and fit for the Application planned. Customer has to do all necessary testing for the Application in order to avoid a default of the Application and the product. NXP Semiconductors does not accept any liability in this respect.

Limiting values — Stress above one or more limiting values (as defined in the Absolute Maximum Ratings System of IEC 60134) will cause permanent damage to the device. Limiting values are stress ratings only and (proper) operation of the device at these or any other conditions above those given in the Recommended operating conditions section (if present) or the Characteristics sections of this document is not warranted. Constant or repeated exposure to limiting values will permanently and irreversibly affect the quality and reliability of the device.

Terms and conditions of commercial sale — NXP Semiconductors products are sold subject to the general terms and conditions of commercial sale, as published at <http://www.nxp.com/profile/terms>, unless otherwise agreed in a valid written individual agreement. In case an individual agreement is concluded only the terms and conditions of the respective agreement shall apply. NXP Semiconductors hereby expressly objects to applying the customer's general terms and conditions with regard to the purchase of NXP Semiconductors products by customer.

No offer to sell or license — Nothing in this document may be interpreted or construed as an offer to sell products that is open for acceptance or the grant, conveyance or implication of any license under any copyrights, patents or other industrial or intellectual property rights.

Export control — This document as well as the item(s) described herein may be subject to export control regulations. Export might require a prior authorization from national authorities.

15.4 Trademarks

Notice: All referenced brands, product names, service names and trademarks are the property of their respective owners.

16. Contact information

For more information, please visit: <http://www.nxp.com>

For sales office addresses, please send an email to: salesaddresses@nxp.com

17. Contents

1	General description	1
2	Features and benefits	1
3	Ordering information	2
4	Functional diagram	2
5	Pinning information	4
5.1	Pinning	4
5.2	Pin description	4
6	Functional description	5
6.1	Function selection	5
7	Limiting values	6
8	Recommended operating conditions	6
9	Static characteristics	7
10	Dynamic characteristics	8
11	Waveforms	9
12	Package outline	11
13	Abbreviations	14
14	Revision history	14
15	Legal information	15
15.1	Data sheet status	15
15.2	Definitions	15
15.3	Disclaimers	15
16	Contact information	16
17	Contents	17

Please be aware that important notices concerning this document and the product(s) described herein, have been included in section 'Legal information'.

© NXP B.V. 2010.

All rights reserved.

For more information, please visit: <http://www.nxp.com>

For sales office addresses, please send an email to: salesaddresses@nxp.com

Date of release: 15 March 2010

Document identifier: 74ABT657_3