

74LVC2952A

Octal registered transceiver with 5 V tolerant inputs/outputs;
3-state

Rev. 02 — 29 June 2004

Product data sheet

1. General description

The 74LVC2952A is a high-performance, low power, low voltage, Si-gate CMOS device superior to most advanced CMOS compatible TTL families.

Inputs can be driven from either 3.3 V or 5 V devices. In 3-state operation, outputs can handle 5 V. These features allow the use of these devices as translators in a mixed 3.3 V and 5 V environment.

The 74LVC2952A is an octal non-inverting registered transceiver. Two 8-bit back-to-back registers store data flowing in both directions between two bidirectional buses. Data applied to the inputs is entered and stored on the rising edge of the clock (CPAB, CPBA) provided that the clock enable (\overline{CEAB} , \overline{CEBA}) input is LOW. The data is then present at the 3-state output buffers, but is only accessible when the output enable (\overline{OEAB} , \overline{OEBA}) input is LOW. Data flow from A inputs to B outputs is the same as for B inputs to A outputs.

2. Features

- 5 V tolerant inputs/outputs for interfacing with 5 V logic
- Supply voltage range from 1.2 V to 3.6 V
- CMOS low-power consumption
- Direct interface with TTL levels
- Inputs accept voltages up to 5.5 V
- Flow-through pin-out architecture
- Complies with JEDEC standard JESD8-B/JESD36
- ESD protection:
 - ◆ HBM EIA/JESD22-A114-B exceeds 2000 V
 - ◆ MM EIA/JESD22-A115-A exceeds 200 V.
- Specified from $-40\text{ }^{\circ}\text{C}$ to $+85\text{ }^{\circ}\text{C}$ and from $-40\text{ }^{\circ}\text{C}$ to $+125\text{ }^{\circ}\text{C}$.

PHILIPS

3. Quick reference data

Table 1: Quick reference data
 $GND = 0\text{ V}; T_{amb} = 25\text{ }^{\circ}\text{C}; t_r = t_f \leq 2.5\text{ ns.}$

Symbol	Parameter	Conditions	Min	Typ	Max	Unit
t_{PHL}, t_{PLH}	propagation delay CPAB, CPBA to An, Bn	$C_L = 50\text{ pF}; V_{CC} = 3.3\text{ V}$	-	3.6	-	ns
f_{max}	maximum clock frequency	$C_L = 50\text{ pF}; V_{CC} = 3.3\text{ V}$	-	250	-	MHz
C_I	input capacitance		-	5.0	-	pF
$C_{I/O}$	input/output capacitance		-	10.0	-	pF
C_{PD}	power dissipation capacitance per latch	outputs enabled; $V_{CC} = 3.3\text{ V}$	[1] [2]	15.0	-	pF

[1] C_{PD} is used to determine the dynamic power dissipation (P_D in μW).

$$P_D = C_{PD} \times V_{CC}^2 \times f_i \times N + \Sigma(C_L \times V_{CC}^2 \times f_o) \text{ where:}$$

f_i = input frequency in MHz;

f_o = output frequency in MHz;

C_L = output load capacitance in pF;

V_{CC} = supply voltage in V;

N = total load switching outputs;

$\Sigma(C_L \times V_{CC}^2 \times f_o)$ = sum of the outputs.

[2] The condition is $V_I = GND$ to V_{CC} .

4. Ordering information

Table 2: Ordering information

Type number	Package			
	Temperature range	Name	Description	Version
74LVC2952AD	-40 °C to +125 °C	SO24	plastic small outline package; 24 leads; body width 7.5 mm	SOT137-1
74LVC2952ADB	-40 °C to +125 °C	SSOP24	plastic shrink small outline package; 24 leads; body width 5.3 mm	SOT340-1
74LVC2952APW	-40 °C to +125 °C	TSSOP24	plastic thin shrink small outline package; 24 leads; body width 4.4 mm	SOT355-1

5. Functional diagram

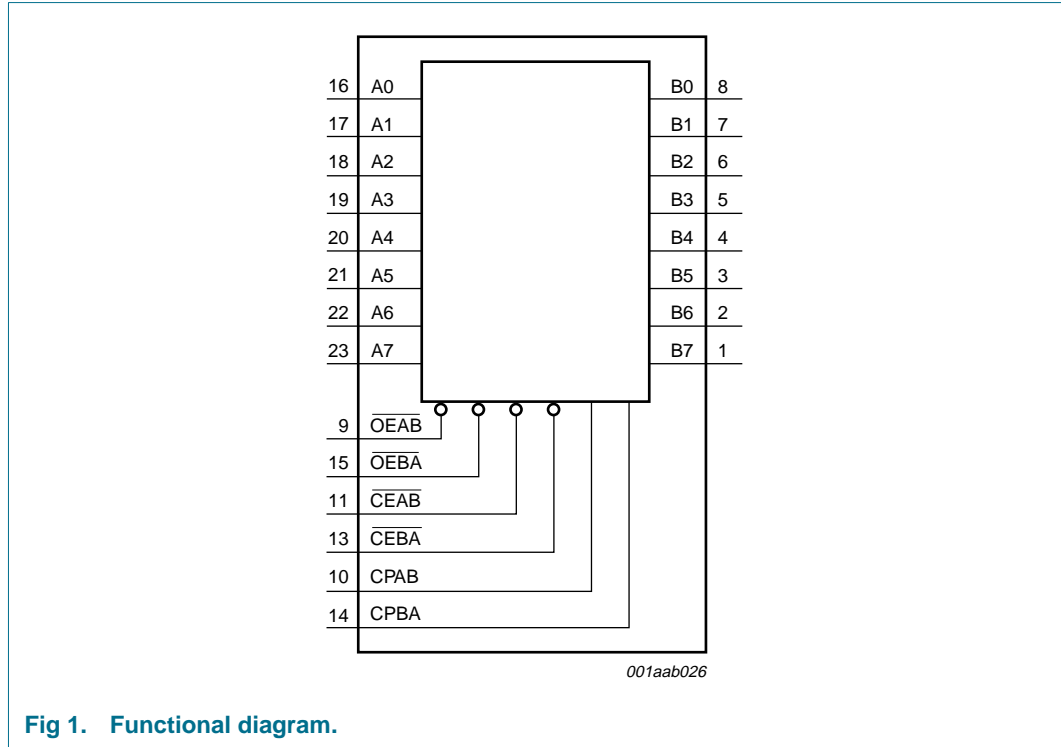


Fig 1. Functional diagram.

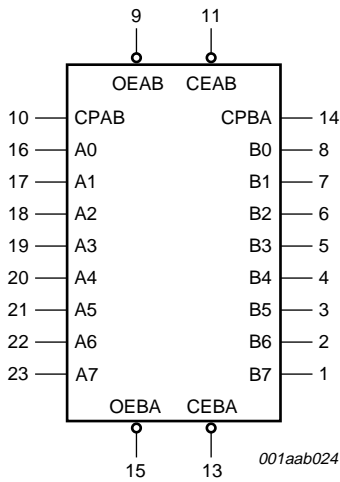


Fig 2. Logic symbol.

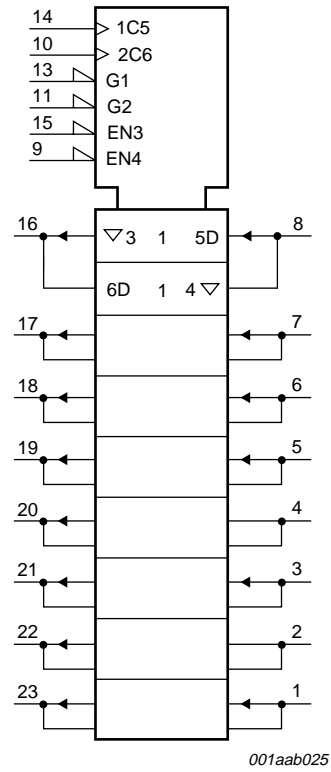


Fig 3. IEC logic symbol.

6. Pinning information

6.1 Pinning

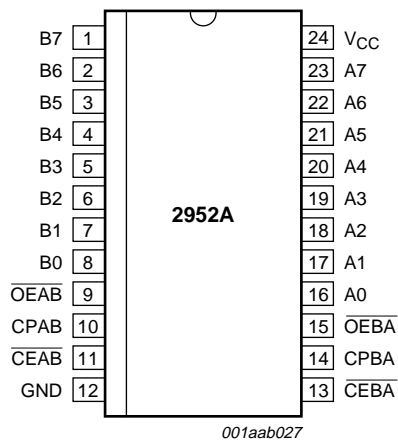


Fig 4. Pin configuration.

6.2 Pin description

Table 3: Pin description

Symbol	Pin	Description
B7	1	B data input/output
B6	2	B data input/output
B5	3	B data input/output
B4	4	B data input/output
B3	5	B data input/output
B2	6	B data input/output
B1	7	B data input/output
B0	8	B data input/output
$\overline{\text{OEAB}}$	9	A to B output enable input (active LOW)
CPAB	10	A to B clock input (LOW-to-HIGH, edge-triggered)
$\overline{\text{CEAB}}$	11	A to B clock enable input (active LOW)
GND	12	ground (0 V)
$\overline{\text{CEBA}}$	13	B to A clock enable input (active LOW)
CPBA	14	B to A clock input (LOW-to-HIGH, edge-triggered)
$\overline{\text{OEBA}}$	15	B to A output enable input (active LOW)
A0	16	A data input/output
A1	17	A data input/output
A2	18	A data input/output
A3	19	A data input/output
A4	20	A data input/output
A5	21	A data input/output
A6	22	A data input/output
A7	23	A data input/output
V _{CC}	24	supply voltage

7. Functional description

7.1 Function table

Table 4: Function table for register An or Bn [1]

Operating mode	Input			Internal latch
	An or Bn	CPxx	CExx	
Hold data	X	X	H	NC
Load data	L	↑	L	L
Load data	H	↑	L	H

Table 5: Function table for output enable [1]

Operating mode	Input OE $\overline{\text{xx}}$	Internal latch	Output An or Bn
Disable outputs	H	X	Z
Enable outputs	L	L	L
Enable outputs	L	H	H

- [1] H = HIGH voltage level;
 L = LOW voltage level;
 Z = high-impedance OFF-state;
 NC = no change;
 X = don't care;
 ↑ = LOW-to-HIGH level transition.

8. Limiting values

Table 6: Limiting values

In accordance with the Absolute Maximum Rating System (IEC 60134). Voltages are referenced to GND (ground = 0 V).

Symbol	Parameter	Conditions	Min	Max	Unit
V_{CC}	supply voltage		-0.5	+6.5	V
I_{IK}	input diode current	$V_I < 0$ V	-	-50	mA
V_I	input voltage		[1] -0.5	+6.5	V
I_{OK}	output diode current	$V_O > V_{CC}$ or $V_O < 0$ V	-	±50	mA
V_O	output voltage	output HIGH or LOW state	[1] -0.5	$V_{CC} + 0.5$	V
		output 3-state	[1] -0.5	+6.5	V
I_O	output source or sink current	$V_O = 0$ V to V_{CC}	-	±50	mA
I_{CC}, I_{GND}	V_{CC} or GND current		-	±100	mA
T_{stg}	storage temperature		-65	+150	°C
P_{tot}	power dissipation	$T_{amb} = -40$ °C to +125 °C	[2] -	500	mW

- [1] The input and output voltage ratings may be exceeded if the input and output current ratings are observed.
 [2] For SO24 packages: above 70 °C the value of P_{tot} derates linearly with 5.5 mW/K.
 For T(SSOP)24 packages: above 60 °C the value of P_{tot} derates linearly with 5.5 mW/K.

9. Recommended operating conditions

Table 7: Recommended operating conditions

Symbol	Parameter	Conditions	Min	Typ	Max	Unit
V_{CC}	supply voltage	for maximum speed performance	2.7	-	3.6	V
		for low-voltage applications	1.2	-	3.6	V
V_I	input voltage		0	-	5.5	V
V_O	output voltage	output HIGH or LOW state	0	-	V_{CC}	V
		output 3-state	0	-	5.5	V
T_{amb}	operating ambient temperature	in free air	-40	-	+125	°C
t_r, t_f	input rise and fall times	$V_{CC} = 1.2\text{ V to }2.7\text{ V}$	0	-	20	ns/V
		$V_{CC} = 2.7\text{ V to }3.6\text{ V}$	0	-	10	ns/V

10. Static characteristics

Table 8: Static characteristics

At recommended operating conditions; voltages are referenced to GND (ground = 0 V).

Symbol	Parameter	Conditions	Min	Typ	Max	Unit
$T_{amb} = -40\text{ °C to }+85\text{ °C}$ [1]						
V_{IH}	HIGH-level input voltage	$V_{CC} = 1.2\text{ V}$	V_{CC}	-	-	V
		$V_{CC} = 2.7\text{ V to }3.6\text{ V}$	2.0	-	-	V
V_{IL}	LOW-level input voltage	$V_{CC} = 1.2\text{ V}$	-	-	GND	V
		$V_{CC} = 2.7\text{ V to }3.6\text{ V}$	-	-	0.8	V
V_{OH}	HIGH-level output voltage	$V_I = V_{IH}$ or V_{IL}				
		$I_O = -100\text{ }\mu\text{A}; V_{CC} = 2.7\text{ V to }3.6\text{ V}$ [2]	$V_{CC} - 0.2$	V_{CC}	-	V
		$I_O = -12\text{ mA}; V_{CC} = 2.7\text{ V}$	$V_{CC} - 0.5$	-	-	V
		$I_O = -18\text{ mA}; V_{CC} = 3.0\text{ V}$	$V_{CC} - 0.6$	-	-	V
V_{OL}	LOW-level output voltage	$V_I = V_{IH}$ or V_{IL}				
		$I_O = 100\text{ }\mu\text{A}; V_{CC} = 2.7\text{ V to }3.6\text{ V}$ [2]	-	GND	0.2	V
		$I_O = 12\text{ mA}; V_{CC} = 2.7\text{ V}$	-	-	0.4	V
		$I_O = 24\text{ mA}; V_{CC} = 3.0\text{ V}$	-	-	0.55	V
I_{LI}	input leakage current	$V_I = 5.5\text{ V or GND}; V_{CC} = 3.6\text{ V}$	-	± 0.1	± 5	μA
I_{OZ}	3-state output OFF-state current	$V_I = V_{IH}$ or $V_{IL}; V_O = 5.5\text{ V or GND}; V_{CC} = 3.6\text{ V}$ [3]	-	0.1	± 10	μA
I_{off}	power-off leakage current	V_I or $V_O = 5.5\text{ V}; V_{CC} = 0\text{ V}$	-	0.1	± 10	μA
I_{CC}	quiescent supply current	$V_I = V_{CC}$ or GND; $I_O = 0\text{ A}; V_{CC} = 3.6\text{ V}$	-	0.1	10	μA
ΔI_{CC}	additional quiescent supply current per pin	$V_I = V_{CC} - 0.6\text{ V}; I_O = 0\text{ A}; V_{CC} = 2.7\text{ V to }3.6\text{ V}$ [2]	-	5	500	μA
C_I	input capacitance		-	5.0	-	pF
$C_{I/O}$	input/output capacitance		-	10.0	-	pF

Table 8: Static characteristics ...continued

At recommended operating conditions; voltages are referenced to GND (ground = 0 V).

Symbol	Parameter	Conditions	Min	Typ	Max	Unit
T_{amb} = -40 °C to +125 °C						
V _{IH}	HIGH-level input voltage	V _{CC} = 1.2 V	V _{CC}	-	-	V
		V _{CC} = 2.7 V to 3.6 V	2.0	-	-	V
V _{IL}	LOW-level input voltage	V _{CC} = 1.2 V	-	-	0	V
		V _{CC} = 2.7 V to 3.6 V	-	-	0.8	V
V _{OH}	HIGH-level output voltage	V _I = V _{IH} or V _{IL}				
		I _O = -100 μA; V _{CC} = 2.7 V to 3.6 V	V _{CC} - 0.3	-	-	V
		I _O = -12 mA; V _{CC} = 2.7 V	V _{CC} - 0.65	-	-	V
		I _O = -18 mA; V _{CC} = 3.0 V	V _{CC} - 0.75	-	-	V
V _{OL}	LOW-level output voltage	I _O = -24 mA; V _{CC} = 3.0 V	V _{CC} - 1	-	-	V
		V _I = V _{IH} or V _{IL}				
		I _O = 100 μA; V _{CC} = 2.7 V to 3.6 V	-	-	0.3	V
		I _O = 12 mA; V _{CC} = 2.7 V	-	-	0.6	V
I _{LI}	input leakage current	I _O = 24 mA; V _{CC} = 3.0 V	-	-	0.8	V
		V _I = 5.5 V or GND; V _{CC} = 3.6 V	-	-	±20	μA
I _{OZ}	3-state output OFF-state current	V _I = V _{IH} or V _{IL} ; V _O = 5.5 V or GND; V _{CC} = 3.6 V	[3] -	-	±20	μA
I _{off}	power-off leakage current	V _I or V _O = 5.5 V; V _{CC} = 0 V	-	-	±20	μA
I _{CC}	quiescent supply current	V _I = V _{CC} or GND; I _O = 0 A; V _{CC} = 3.6 V	-	-	40	μA
ΔI _{CC}	additional quiescent supply current per input pin	V _I = V _{CC} - 0.6 V; I _O = 0 A; V _{CC} = 2.7 V to 3.6 V	-	-	5000	μA

- [1] All typical values are measured at T_{amb} = 25 °C.
- [2] These typical values are measured at V_{CC} = 3.3 V.
- [3] For transceivers, the parameter I_{OZ} includes the input leakage current.

11. Dynamic characteristics

Table 9: Dynamic characteristics

GND = 0 V; see [Figure 8](#) for test circuit.

Symbol	Parameter	Conditions	Min	Typ	Max	Unit
T_{amb} = -40 °C to +85 °C [1]						
t _{PHL} , t _{PLH}	propagation delay CPBA, CPAB to An and Bn	see Figure 5				
		V _{CC} = 1.2 V	-	16	-	ns
		V _{CC} = 2.7 V	1.5	4.4	8.6	ns
		V _{CC} = 3.0 V to 3.6 V	[2] 1.5	3.6	7.6	ns
t _{PZH} , t _{PZL}	3-state output enable time OEBA, OEAB to An and Bn	see Figure 7				
		V _{CC} = 1.2 V	-	16	-	ns
		V _{CC} = 2.7 V	1.5	4.7	8.6	ns
		V _{CC} = 3.0 V to 3.6 V	[2] 1.0	3.9	7.6	ns

Table 9: Dynamic characteristics ...continued
GND = 0 V; see Figure 8 for test circuit.

Symbol	Parameter	Conditions	Min	Typ	Max	Unit		
t _{PHZ} , t _{PLZ}	3-state output disable time OEBA, OEAB to An and Bn	see Figure 7						
		V _{CC} = 1.2 V	-	8	-	ns		
		V _{CC} = 2.7 V	1.5	3.8	7.6	ns		
		V _{CC} = 3.0 V to 3.6 V	[2]	1.5	3.4	6.6	ns	
t _W	clock pulse width HIGH or LOW CPAB or CPBA	see Figure 5						
		V _{CC} = 1.2 V	-	-	-	ns		
		V _{CC} = 2.7 V	3.0	1.5	-	ns		
		V _{CC} = 3.0 V to 3.6 V	[2]	3.0	1.5	-	ns	
t _{SU}	set-up time HIGH or LOW An, Bn to CPAB, CPBA	see Figure 6						
		V _{CC} = 1.2 V	-	-	-	ns		
		V _{CC} = 2.7 V	1.7	-	-	ns		
			V _{CC} = 3.0 V to 3.6 V	[2]	+1.3	-0.5	-	ns
	set-up time HIGH or LOW CEAB, CEBA to CPAB, CPBA	see Figure 6						
		V _{CC} = 1.2 V	-	-	-	ns		
V _{CC} = 2.7 V		1.3	-	-	ns			
		V _{CC} = 3.0 V to 3.6 V	[2]	+1.1	-0.5	-	ns	
t _H	hold time An, Bn to CPAB, CPBA	see Figure 6						
		V _{CC} = 1.2 V	-	-	-	ns		
		V _{CC} = 2.7 V	1.5	-	-	ns		
			V _{CC} = 3.0 V to 3.6 V	[2]	1.5	0.6	-	ns
	hold time CEAB, CEBA to CPAB, CPBA	see Figure 6						
		V _{CC} = 1.2 V	-	-	-	ns		
V _{CC} = 2.7 V		1.4	-	-	ns			
		V _{CC} = 3.0 V to 3.6 V	[2]	+1.1	-0.6	-	ns	
f _{max}	maximum clock pulse frequency	see Figure 5						
		V _{CC} = 1.2 V	-	-	-	MHz		
		V _{CC} = 2.7 V	150	-	-	MHz		
		V _{CC} = 3.0 V to 3.6 V	[2]	150	250	-	MHz	
t _{sk(0)}	skew		[3]	-	-	1.0	ns	
C _{PD}	power dissipation capacitance per latch	outputs enabled; V _{CC} = 3.3 V	[4] [5]	-	15.0	-	pF	
T_{amb} = -40 °C to +125 °C								
t _{PHL} , t _{PLH}	propagation delay CPBA, CPAB to An, Bn	see Figure 5						
		V _{CC} = 1.2 V	-	-	-	ns		
		V _{CC} = 2.7 V	1.5	-	11	ns		
		V _{CC} = 3.0 V to 3.6 V		1.5	-	9.5	ns	
t _{PZH} , t _{PZL}	3-state output enable time OEBA, OEAB to An, Bn	see Figure 7						
		V _{CC} = 1.2 V	-	-	-	ns		
		V _{CC} = 2.7 V	1.5	-	11	ns		
		V _{CC} = 3.0 V to 3.6 V		1.0	-	9.5	ns	

Table 9: Dynamic characteristics ...continued
GND = 0 V; see Figure 8 for test circuit.

Symbol	Parameter	Conditions	Min	Typ	Max	Unit	
t _{PHZ} , t _{PLZ}	3-state output disable time OEBA, OEAB to An, Bn	see Figure 7	-	-	-	ns	
		V _{CC} = 1.2 V	-	-	-	ns	
		V _{CC} = 2.7 V	1.5	-	9.5	ns	
		V _{CC} = 3.0 V to 3.6 V	1.5	-	8.5	ns	
t _W	clock pulse width HIGH or LOW CPAB or CPBA	see Figure 5	-	-	-	ns	
		V _{CC} = 1.2 V	-	-	-	ns	
		V _{CC} = 2.7 V	3.0	-	-	ns	
		V _{CC} = 3.0 V to 3.6 V	3.0	-	-	ns	
t _{su}	set-up time HIGH or LOW An, Bn to CPAB, CPBA	see Figure 6	-	-	-	ns	
		V _{CC} = 1.2 V	-	-	-	ns	
		V _{CC} = 2.7 V	1.7	-	-	ns	
			V _{CC} = 3.0 V to 3.6 V	1.3	-	-	ns
	set-up time HIGH or LOW CEAB, CEBA to CPAB, CPBA	see Figure 6	-	-	-	ns	
		V _{CC} = 1.2 V	-	-	-	ns	
V _{CC} = 2.7 V		1.3	-	-	ns		
		V _{CC} = 3.0 V to 3.6 V	1.1	-	-	ns	
t _h	hold time An, Bn to CPAB, CPBA	see Figure 6	-	-	-	ns	
		V _{CC} = 1.2 V	-	-	-	ns	
		V _{CC} = 2.7 V	1.5	-	-	ns	
			V _{CC} = 3.0 V to 3.6 V	1.5	-	-	ns
	hold time CEAB, CEBA to CPAB, CPBA	see Figure 6	-	-	-	ns	
		V _{CC} = 1.2 V	-	-	-	ns	
V _{CC} = 2.7 V		1.4	-	-	ns		
		V _{CC} = 3.0 V to 3.6 V	1.1	-	-	ns	
f _{max}	maximum clock pulse frequency	see Figure 5	-	-	-	MHz	
		V _{CC} = 1.2 V	-	-	-	MHz	
		V _{CC} = 2.7 V	150	-	-	MHz	
		V _{CC} = 3.0 V to 3.6 V	150	-	-	MHz	
t _{sk(0)}	skew		[3]	-	-	1.5 ns	

- [1] All typical values are measured at T_{amb} = 25 °C.
- [2] These typical values are measured at V_{CC} = 3.3 V.
- [3] Skew between any two outputs of the same package switching in the same direction. This parameter is guaranteed by design.
- [4] C_{PD} is used to determine the dynamic power dissipation (P_D in μW).
 $P_D = C_{PD} \times V_{CC}^2 \times f_i \times N + \Sigma(C_L \times V_{CC}^2 \times f_o)$ where:
 f_i = input frequency in MHz;
 f_o = output frequency in MHz;
 C_L = output load capacitance in pF;
 V_{CC} = supply voltage in V;
 N = total load switching outputs;
 Σ(C_L × V_{CC}² × f_o) = sum of the outputs.
- [5] The condition is V_I = GND to V_{CC}.

12. Waveforms

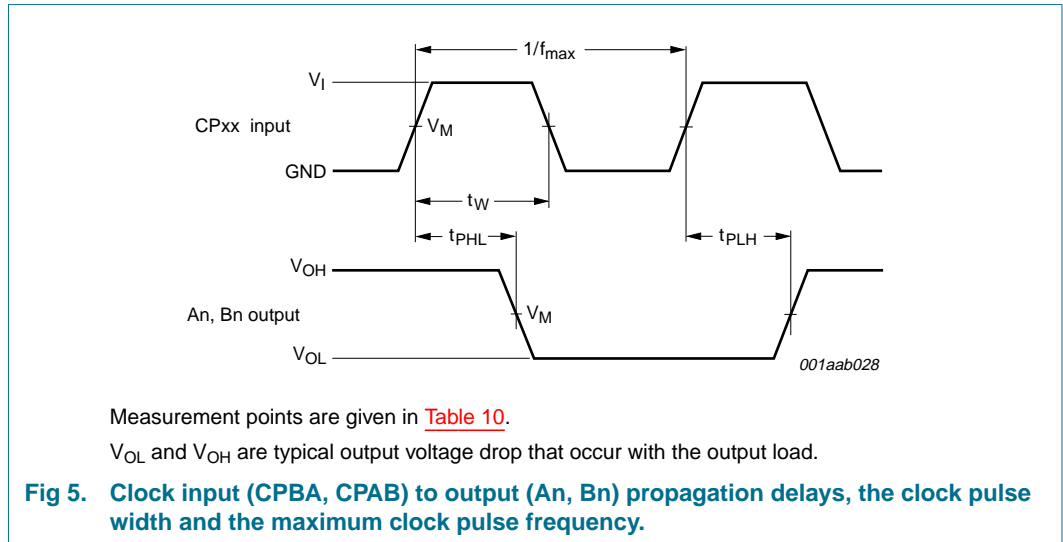


Table 10: Measurement points

Supply voltage	Input	Output
V_{CC}	V_M	V_M
$< 2.7 V$	$0.5 \times V_{CC}$	$0.5 \times V_{CC}$
$\geq 2.7 V$	1.5 V	1.5 V

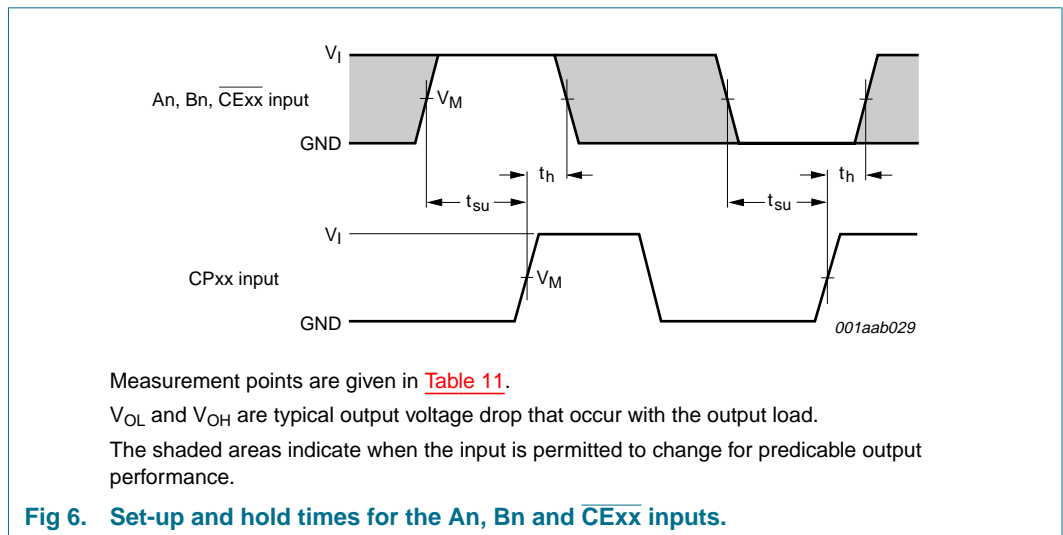


Table 11: Measurement points

Supply voltage	Input	Output
V_{CC}	V_M	V_M
$< 2.7 V$	$0.5 \times V_{CC}$	$0.5 \times V_{CC}$
$\geq 2.7 V$	1.5 V	1.5 V

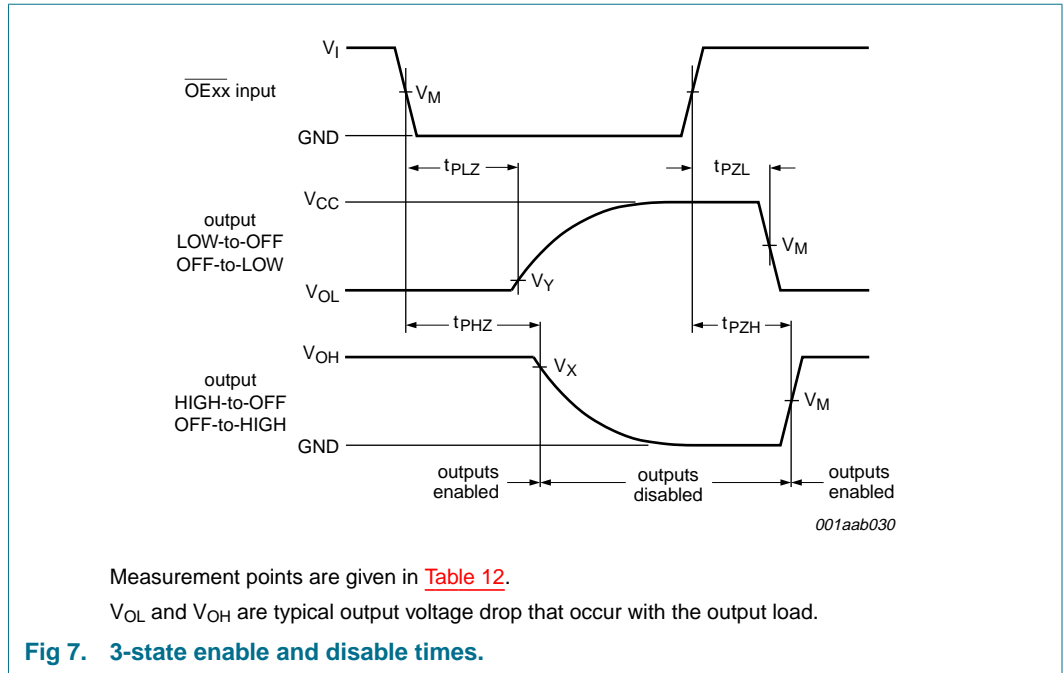


Table 12: Measurement points

Supply voltage	Input	Output		
V_{CC}	V_M	V_M	V_X	V_Y
$< 2.7\text{ V}$	$0.5 \times V_{CC}$	$0.5 \times V_{CC}$	$V_{OL} + 0.1 \times V_{CC}$	$V_{OH} - 0.1 \times V_{CC}$
$\geq 2.7\text{ V}$	1.5 V	1.5 V	$V_{OL} + 0.3\text{ V}$	$V_{OH} - 0.3\text{ V}$

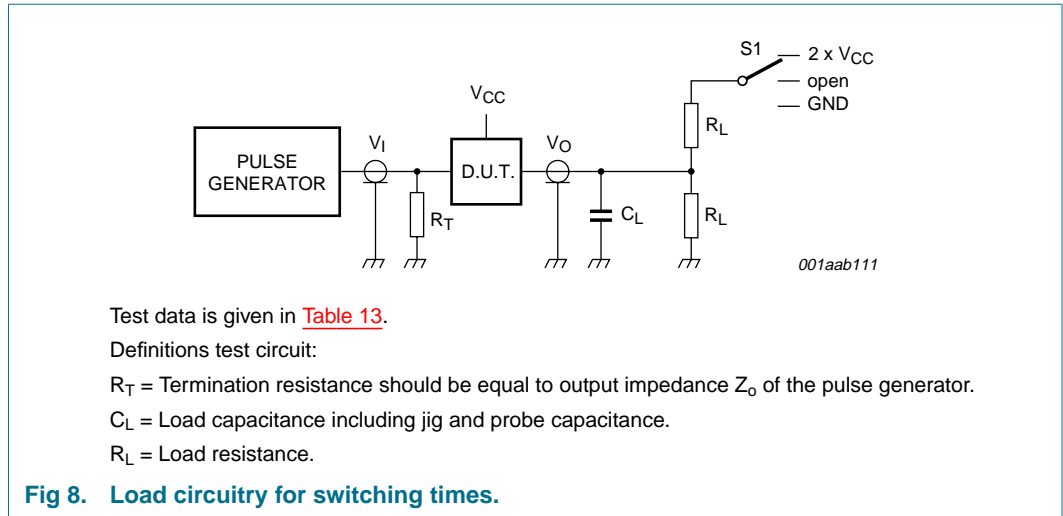


Table 13: Test data

Supply voltage	Input		Load		S1		
V_{CC}	V_i	t_r, t_f	C_L	R_L	t_{PLH}, t_{PHL}	t_{PZH}, t_{PHZ}	t_{PZL}, t_{PLZ}
1.2 V	V_{CC}	≤ 2.5 ns	50 pF	500 Ω [1]	open	GND	$2 \times V_{CC}$
2.7 V	2.7 V	≤ 2.5 ns	50 pF	500 Ω	open	GND	$2 \times V_{CC}$
3.0 V to 3.6 V	2.7 V	≤ 2.5 ns	50 pF	500 Ω	open	GND	$2 \times V_{CC}$

[1] The circuit performs better when $R_L = 1000 \Omega$.

13. Package outline

SO24: plastic small outline package; 24 leads; body width 7.5 mm

SOT137-1

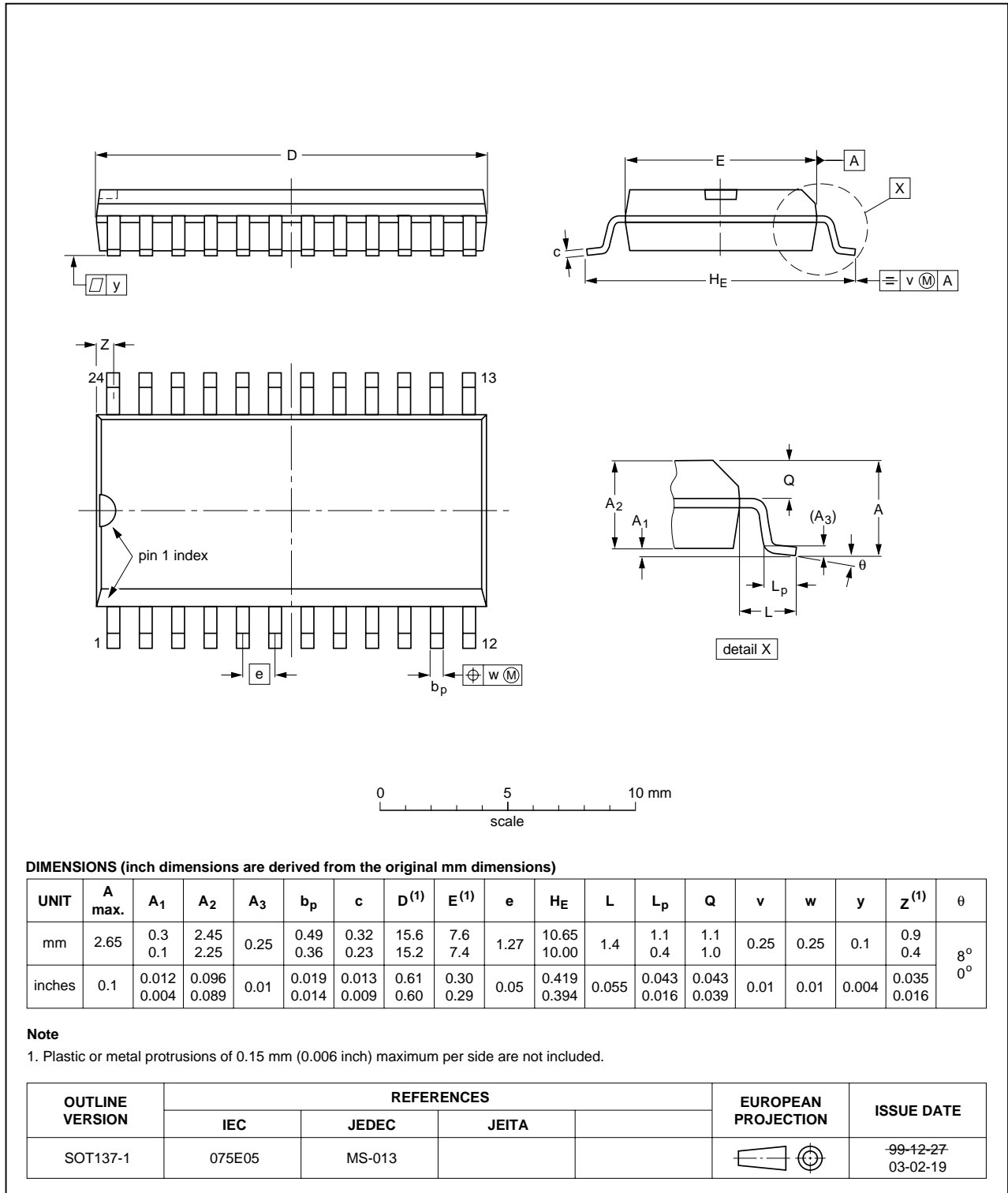


Fig 9. Package outline SO24.

SSOP24: plastic shrink small outline package; 24 leads; body width 5.3 mm

SOT340-1

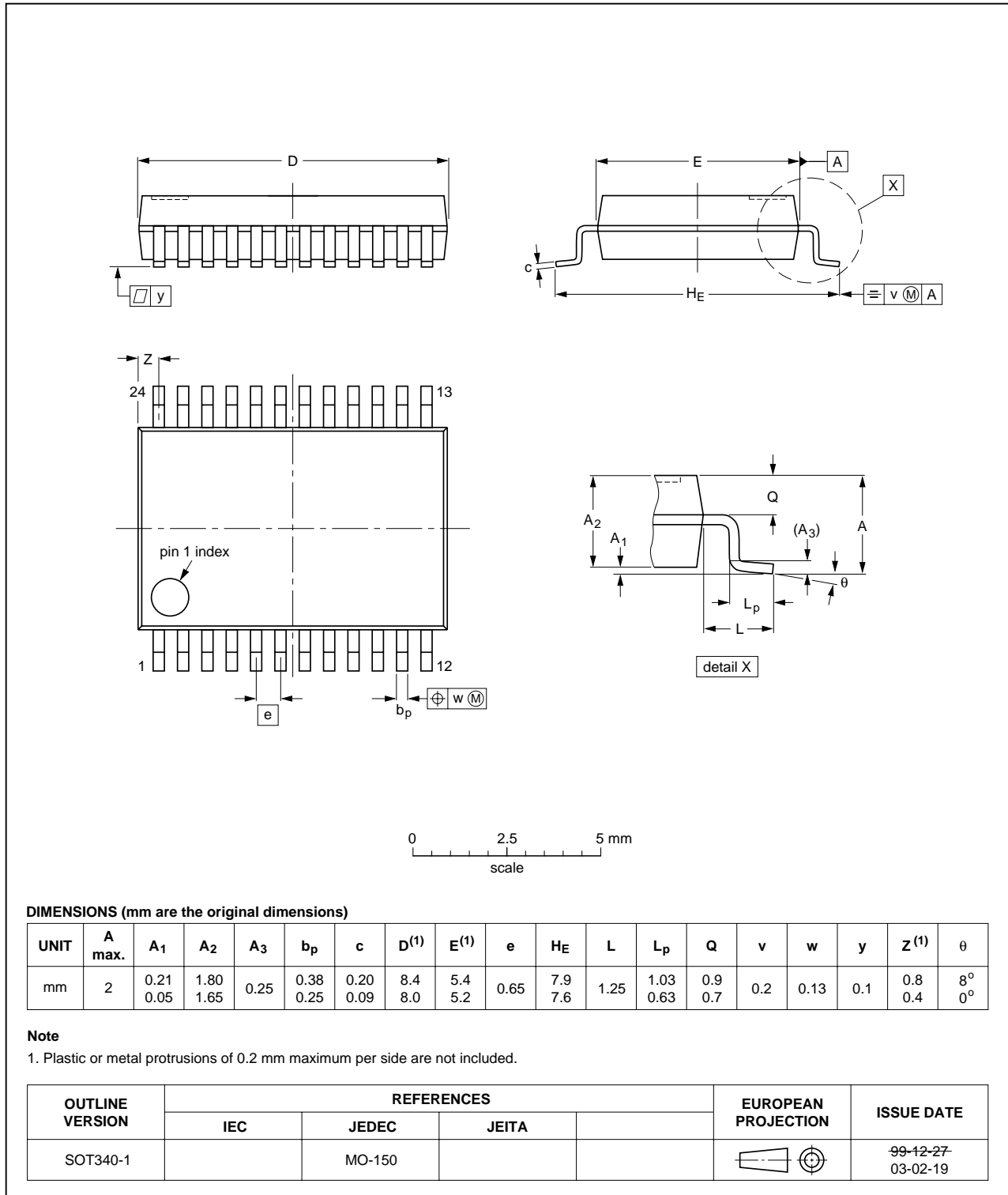


Fig 10. Package outline SSOP24.

TSSOP24: plastic thin shrink small outline package; 24 leads; body width 4.4 mm

SOT355-1

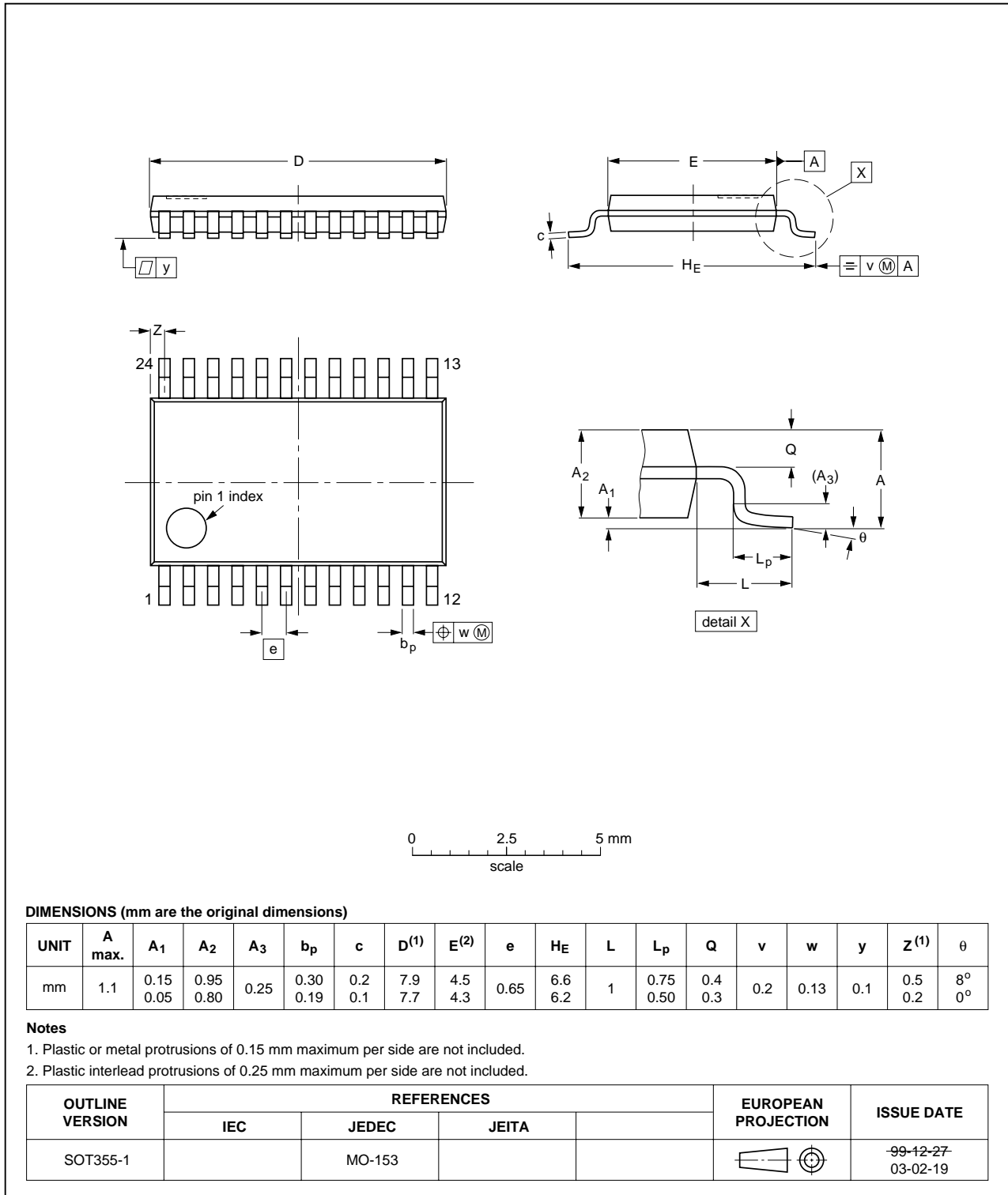


Fig 11. Package outline TSSOP24.

14. Revision history

Table 14: Revision history

Document ID	Release date	Data sheet status	Change notice	Order number	Supersedes
74LVC2952A_2	20040629	Product data sheet	-	9397 750 13251	74LVC2952A_1
Modifications:	<ul style="list-style-type: none"> • The format of this data sheet has been redesigned to comply with the new presentation and information standard of Philips Semiconductors • Table 1: changed various values • Table 8: changed maximum value of I_{OZ} from $\pm 5 \mu\text{A}$ to $\pm 10 \mu\text{A}$ • Table 8: added values for $T_{\text{amb}} = -40 \text{ }^\circ\text{C}$ to $+125 \text{ }^\circ\text{C}$ • Table 9: changed various values • Table 9: added values for $T_{\text{amb}} = -40 \text{ }^\circ\text{C}$ to $+125 \text{ }^\circ\text{C}$. 				
74LVC2952A_1	19980729	Product specification	-	9397 750 04524	-

15. Data sheet status

Level	Data sheet status ^[1]	Product status ^[2] ^[3]	Definition
I	Objective data	Development	This data sheet contains data from the objective specification for product development. Philips Semiconductors reserves the right to change the specification in any manner without notice.
II	Preliminary data	Qualification	This data sheet contains data from the preliminary specification. Supplementary data will be published at a later date. Philips Semiconductors reserves the right to change the specification without notice, in order to improve the design and supply the best possible product.
III	Product data	Production	This data sheet contains data from the product specification. Philips Semiconductors reserves the right to make changes at any time in order to improve the design, manufacturing and supply. Relevant changes will be communicated via a Customer Product/Process Change Notification (CPCN).

[1] Please consult the most recently issued data sheet before initiating or completing a design.

[2] The product status of the device(s) described in this data sheet may have changed since this data sheet was published. The latest information is available on the Internet at URL <http://www.semiconductors.philips.com>.

[3] For data sheets describing multiple type numbers, the highest-level product status determines the data sheet status.

16. Definitions

Short-form specification — The data in a short-form specification is extracted from a full data sheet with the same type number and title. For detailed information see the relevant data sheet or data handbook.

Limiting values definition — Limiting values given are in accordance with the Absolute Maximum Rating System (IEC 60134). Stress above one or more of the limiting values may cause permanent damage to the device. These are stress ratings only and operation of the device at these or at any other conditions above those given in the Characteristics sections of the specification is not implied. Exposure to limiting values for extended periods may affect device reliability.

Application information — Applications that are described herein for any of these products are for illustrative purposes only. Philips Semiconductors make no representation or warranty that such applications will be suitable for the specified use without further testing or modification.

17. Disclaimers

Life support — These products are not designed for use in life support appliances, devices, or systems where malfunction of these products can reasonably be expected to result in personal injury. Philips Semiconductors customers using or selling these products for use in such applications do so at their own risk and agree to fully indemnify Philips Semiconductors for any damages resulting from such application.

Right to make changes — Philips Semiconductors reserves the right to make changes in the products - including circuits, standard cells, and/or software - described or contained herein in order to improve design and/or performance. When the product is in full production (status 'Production'), relevant changes will be communicated via a Customer Product/Process Change Notification (CPCN). Philips Semiconductors assumes no responsibility or liability for the use of any of these products, conveys no license or title under any patent, copyright, or mask work right to these products, and makes no representations or warranties that these products are free from patent, copyright, or mask work right infringement, unless otherwise specified.

18. Contact information

For additional information, please visit: <http://www.semiconductors.philips.com>

For sales office addresses, send an email to: sales.addresses@www.semiconductors.philips.com

19. Contents

1	General description	1
2	Features	1
3	Quick reference data	2
4	Ordering information	2
5	Functional diagram	3
6	Pinning information	4
6.1	Pinning	4
6.2	Pin description	5
7	Functional description	6
7.1	Function table	6
8	Limiting values	6
9	Recommended operating conditions	7
10	Static characteristics	7
11	Dynamic characteristics	8
12	Waveforms	11
13	Package outline	14
14	Revision history	17
15	Data sheet status	18
16	Definitions	18
17	Disclaimers	18
18	Contact information	18



© Koninklijke Philips Electronics N.V. 2004

All rights are reserved. Reproduction in whole or in part is prohibited without the prior written consent of the copyright owner. The information presented in this document does not form part of any quotation or contract, is believed to be accurate and reliable and may be changed without notice. No liability will be accepted by the publisher for any consequence of its use. Publication thereof does not convey nor imply any license under patent- or other industrial or intellectual property rights.

Date of release: 29 June 2004
Document order number: 9397 750 13251

Published in The Netherlands