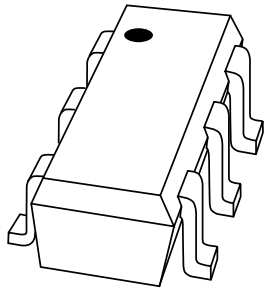


# DATA SHEET



## **BGA2712** MMIC wideband amplifier

Product specification  
Supersedes data of 2002 Jan 31

2002 Sep 10



# MMIC wideband amplifier

# BGA2712

### FEATURES

- Internally matched to 50 Ω
- Wide frequency range (3.2 GHz at 3 dB bandwidth)
- Flat 21 dB gain (DC to 2.6 GHz at 1 dB flatness)
- 5 dBm saturated output power at 1 GHz
- Good linearity (11 dBm IP3<sub>(out)</sub> at 1 GHz)
- Unconditionally stable (K > 1.5).

### APPLICATIONS

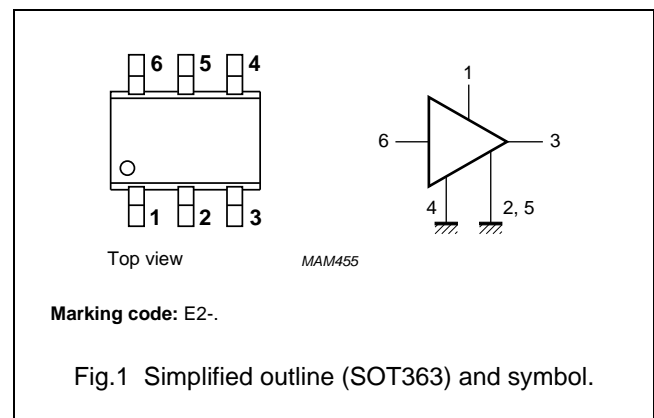
- LNB IF amplifiers
- Cable systems
- ISM
- General purpose.

### DESCRIPTION

Silicon Monolithic Microwave Integrated Circuit (MMIC) wideband amplifier with internal matching circuit in a 6-pin SOT363 SMD plastic package.

### PINNING

PIN	DESCRIPTION
1	V <sub>S</sub>
2, 5	GND2
3	RF out
4	GND1
6	RF in



### QUICK REFERENCE DATA

SYMBOL	PARAMETER	CONDITIONS	TYP.	MAX.	UNIT
V <sub>S</sub>	DC supply voltage		5	6	V
I <sub>S</sub>	DC supply current		12.3	–	mA
S <sub>21</sub>   <sup>2</sup>	insertion power gain	f = 1 GHz	21.3	–	dB
NF	noise figure	f = 1 GHz	3.9	–	dB
P <sub>L(sat)</sub>	saturated load power	f = 1 GHz	4.8	–	dBm

### LIMITING VALUES

In accordance with the Absolute Maximum Rating System (IEC 60134)

SYMBOL	PARAMETER	CONDITIONS	MIN.	MAX.	UNIT
V <sub>S</sub>	DC supply voltage	RF input AC coupled	–	6	V
I <sub>S</sub>	supply current		–	35	mA
P <sub>tot</sub>	total power dissipation	T <sub>s</sub> ≤ 90 °C	–	200	mW
T <sub>stg</sub>	storage temperature		–65	+150	°C
T <sub>j</sub>	operating junction temperature		–	150	°C
P <sub>D</sub>	maximum drive power		–	10	dBm

### CAUTION

This product is supplied in anti-static packing to prevent damage caused by electrostatic discharge during transport and handling. For further information, refer to Philips specs.: SNW-EQ-608, SNW-FQ-302A and SNW-FQ-302B.

MMIC wideband amplifier

BGA2712

**THERMAL CHARACTERISTICS**

SYMBOL	PARAMETER	CONDITIONS	VALUE	UNIT
$R_{th\ j-s}$	thermal resistance from junction to solder point	$P_{tot} = 200\text{ mW}; T_s \leq 90\text{ }^\circ\text{C}$	300	K/W

**CHARACTERISTICS**

$V_S = 5\text{ V}; I_S = 12.3\text{ mA}; T_j = 25\text{ }^\circ\text{C}$ ; unless otherwise specified.

SYMBOL	PARAMETER	CONDITIONS	MIN.	TYP.	MAX.	UNIT
$I_S$	supply current		9	12.3	15	mA
$ s_{21} ^2$	insertion power gain	f = 100 MHz	20	20.8	22	dB
		f = 1 GHz	20	21.3	22	dB
		f = 1.8 GHz	20	22	23	dB
		f = 2.2 GHz	20	22	23	dB
		f = 2.6 GHz	19	21.2	22	dB
		f = 3 GHz	16	19.3	21	dB
$R_{L\ IN}$	return losses input	f = 1 GHz	12	14	–	dB
		f = 2.2 GHz	8	10	–	dB
$R_{L\ OUT}$	return losses output	f = 1 GHz	17	20	–	dB
		f = 2.2 GHz	15	18	–	dB
$ s_{12} ^2$	isolation	f = 1.6 GHz	31	33	–	dB
		f = 2.2 GHz	36	39	–	dB
NF	noise figure	f = 1 GHz	–	3.9	4.3	dB
		f = 2.2 GHz	–	4.3	4.7	dB
BW	bandwidth	at $ s_{21} ^2 -3\text{ dB}$ below flat gain at 1 GHz	2.8	3.2	–	GHz
K	stability factor	f = 1 GHz	1.5	2	–	–
		f = 2.2 GHz	2.5	3	–	–
$P_{L(sat)}$	saturated load power	f = 1 GHz	3	4.8	–	dBm
		f = 2.2 GHz	0	1.3	–	dBm
$P_{L\ 1\text{ dB}}$	load power	at 1 dB gain compression; f = 1 GHz	–2	0.2	–	dBm
		at 1 dB gain compression; f = 2.2 GHz	–4	–2	–	dBm
IP3 <sub>(in)</sub>	input intercept point	f = 1 GHz	–12	–10	–	dBm
		f = 2.2 GHz	–14	–16	–	dBm
IP3 <sub>(out)</sub>	output intercept point	f = 1 GHz	9	11	–	dBm
		f = 2.2 GHz	4	6	–	dBm

# MMIC wideband amplifier

BGA2712

## APPLICATION INFORMATION

Figure 2 shows a typical application circuit for the BGA2712 MMIC. The device is internally matched to 50 Ω, and therefore does not need any external matching. The value of the input and output DC blocking capacitors C2 and C3 should not be more than 100 pF for applications above 100 MHz. However, when the device is operated below 100 MHz, the capacitor value should be increased.

The 22 nF supply decoupling capacitor C1 should be located as closely as possible to the MMIC.

Separate paths must be used for the ground planes of the ground pins GND1 and GND2, and these paths must be as short as possible. When using vias, use multiple vias per pin in order to limit ground path inductance.

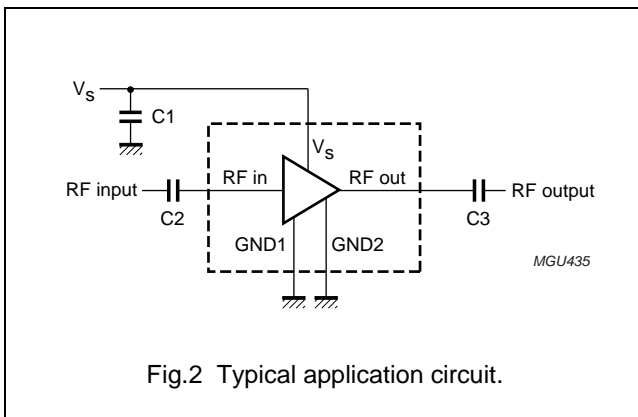


Fig.2 Typical application circuit.

Figure 3 shows two cascaded MMICs. This configuration doubles overall gain while preserving broadband characteristics. Supply decoupling and grounding conditions for each MMIC are the same as those for the circuit of Fig.2.

The excellent wideband characteristics of the MMIC make it an ideal building block in IF amplifier applications such as LBNs (see Fig.4).

As a buffer amplifier between an LNA and a mixer in a receiver circuit, the MMIC offers an easy matching, low noise solution (see Fig.5).

In Fig.6 the MMIC is used as a driver to the power amplifier as part of a transmitter circuit. Good linear performance and matched input and output offer quick design solutions in such applications.

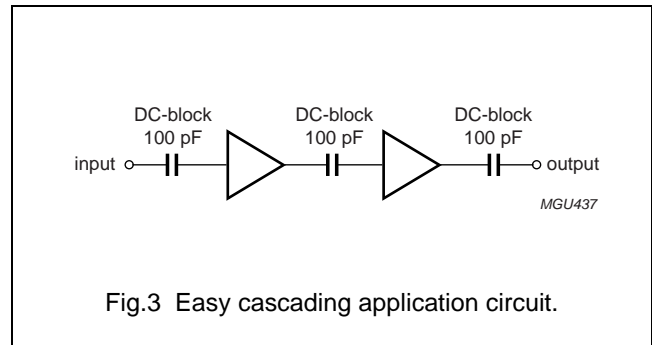


Fig.3 Easy cascading application circuit.

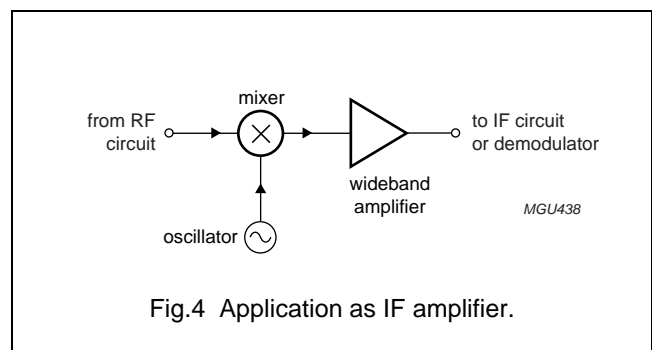


Fig.4 Application as IF amplifier.

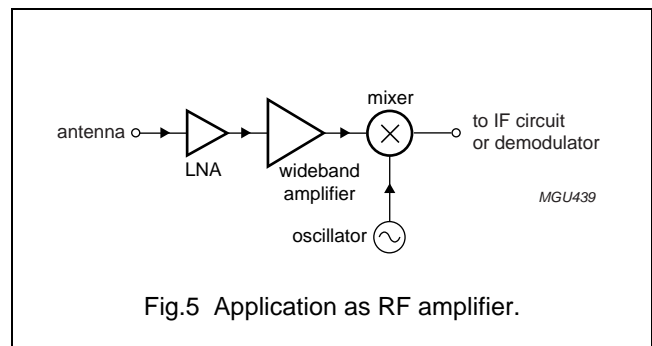


Fig.5 Application as RF amplifier.

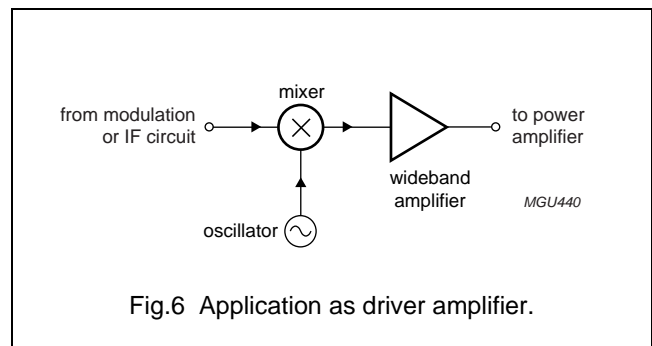
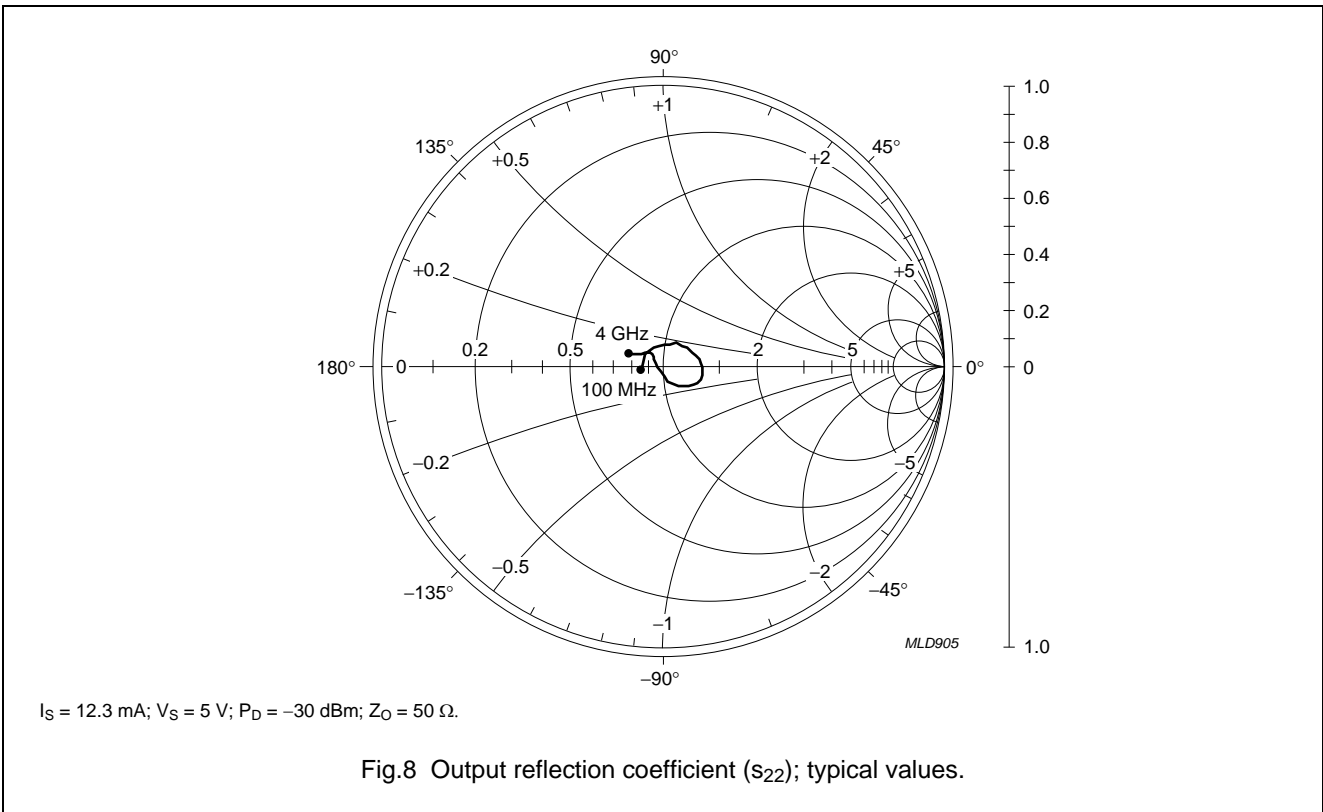
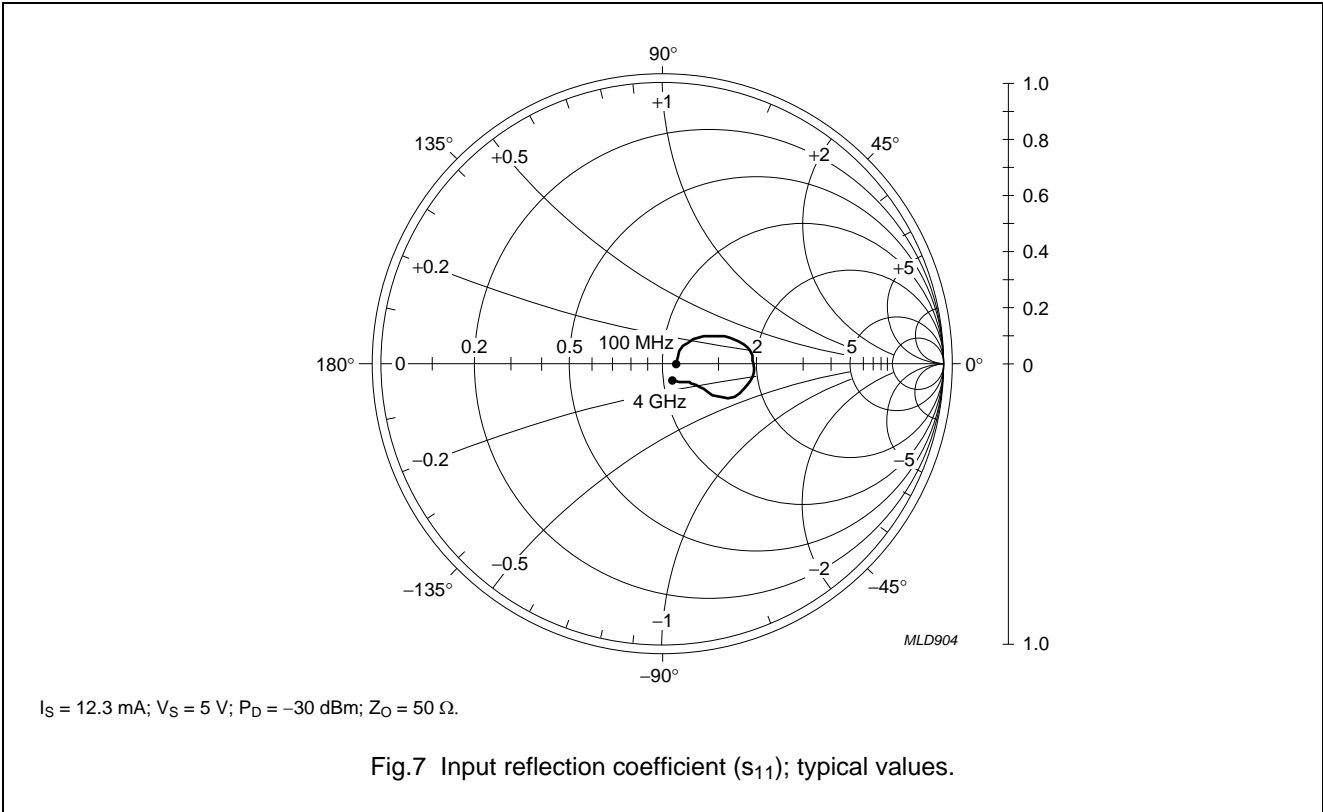


Fig.6 Application as driver amplifier.

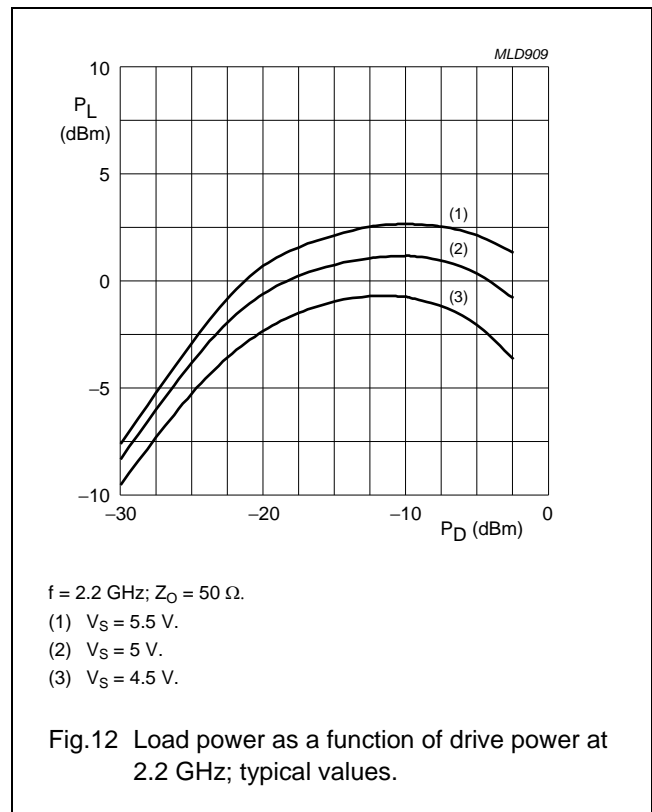
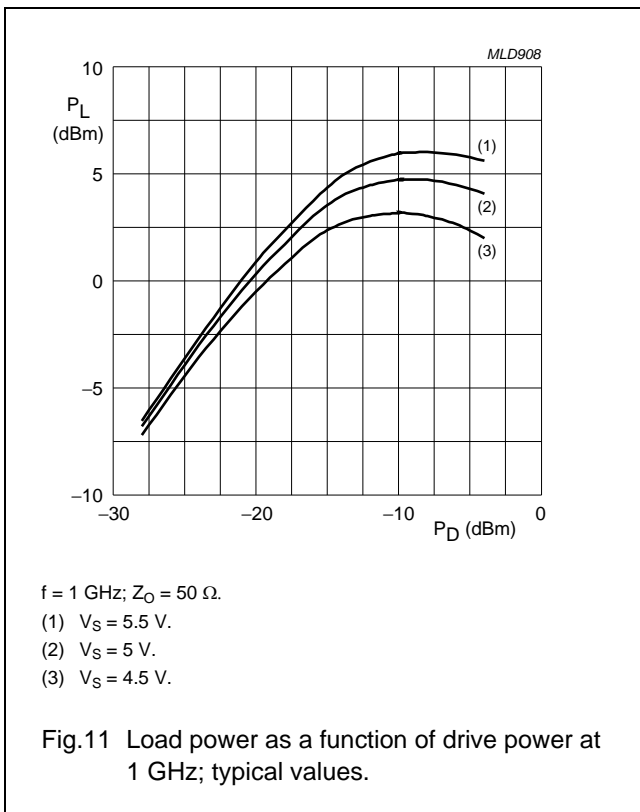
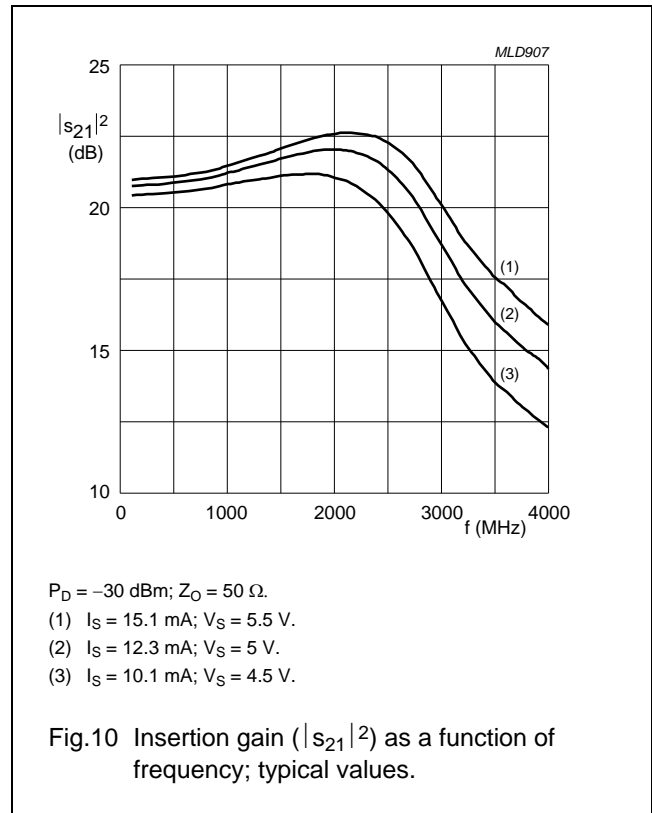
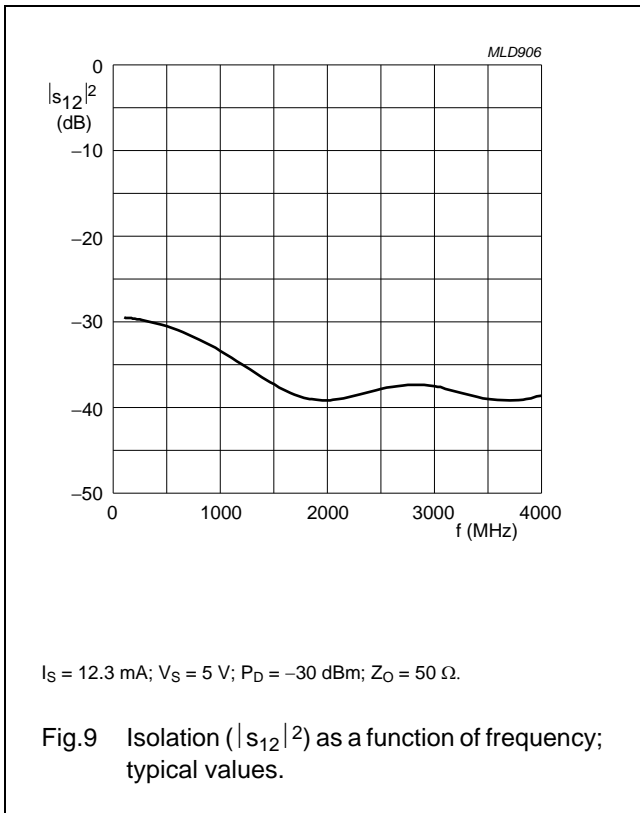
MMIC wideband amplifier

BGA2712



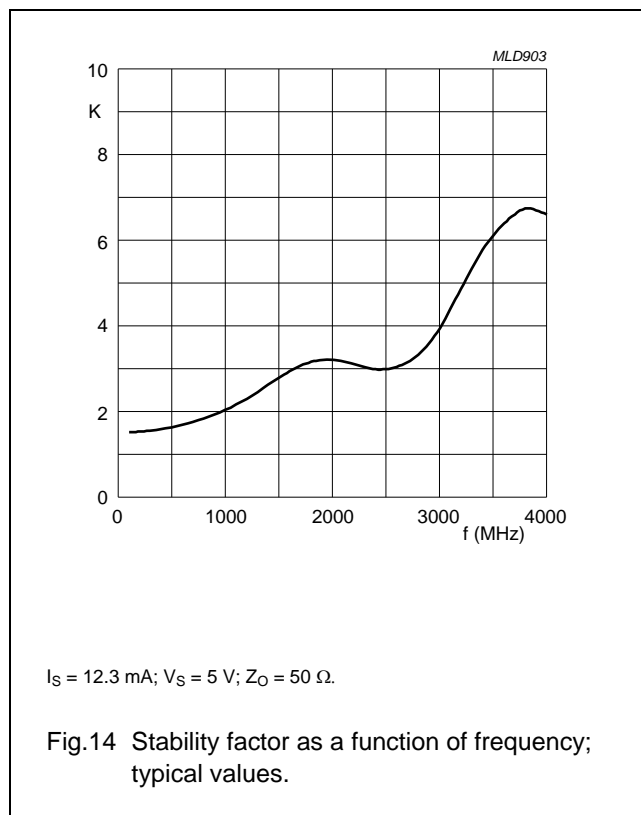
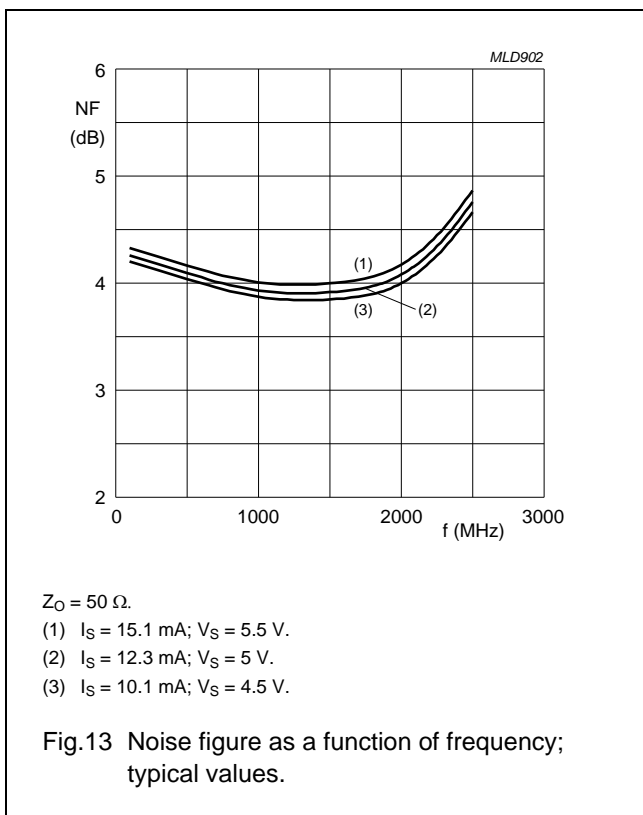
MMIC wideband amplifier

BGA2712



MMIC wideband amplifier

BGA2712



## MMIC wideband amplifier

BGA2712

## Scattering parameters

 $V_S = 5 \text{ V}$ ;  $I_S = 12.3 \text{ mA}$ ;  $P_D = -30 \text{ dBm}$ ;  $Z_O = 50 \text{ } \Omega$ ;  $T_{\text{amb}} = 25 \text{ } ^\circ\text{C}$ ;

f (MHz)	S <sub>11</sub>		S <sub>21</sub>		S <sub>12</sub>		S <sub>22</sub>		K-FACTOR
	MAGNITUDE (ratio)	ANGLE (deg)	MAGNITUDE (ratio)	ANGLE (deg)	MAGNITUDE (ratio)	ANGLE (deg)	MAGNITUDE (ratio)	ANGLE (deg)	
100	0.04752	-13.48	10.9826	-1.753	0.03355	-2.342	0.07706	-170.0	1.5
200	0.05643	22.73	11.0172	-6.898	0.03308	-7.340	0.07237	164.8	1.5
400	0.09546	39.62	11.0842	-15.64	0.03111	-15.47	0.07314	130.7	1.6
600	0.13547	37.16	11.1812	-24.08	0.02829	-21.84	0.07471	101.8	1.7
800	0.17466	32.62	11.3239	-32.64	0.02501	-26.57	0.08218	72.30	1.9
1000	0.20739	27.40	11.5760	-41.38	0.02145	-30.44	0.10113	47.04	2.0
1200	0.24036	23.23	11.8439	-50.97	0.01788	-31.20	0.11792	25.82	2.3
1400	0.26469	18.36	12.1222	-61.14	0.01489	-28.60	0.13314	10.96	2.6
1600	0.29368	13.54	12.3892	-72.07	0.01262	-22.41	0.14376	-1.624	3.0
1800	0.31261	8.127	12.5808	-83.89	0.01132	-12.86	0.14606	-13.51	3.2
2000	0.31986	1.984	12.6359	-96.79	0.01102	-2.369	0.13749	-24.90	3.2
2200	0.32544	-4.878	12.4802	-110.7	0.01151	5.585	0.11928	-37.21	3.1
2400	0.31554	-13.05	12.2649	-125.2	0.01238	9.990	0.08992	-51.50	3.0
2600	0.29374	-21.53	11.5087	-139.8	0.01322	11.44	0.05626	-68.53	3.1
2800	0.26599	-28.39	10.4126	-152.8	0.01362	10.70	0.02424	-110.2	3.3
3000	0.21222	-31.80	9.17830	-163.8	0.01335	9.622	0.02731	159.1	4.0
3200	0.17076	-31.52	8.12024	-171.0	0.01239	10.22	0.04752	135.0	4.9
3400	0.14479	-32.14	7.38827	-176.5	0.01150	15.36	0.06279	132.1	5.8
3600	0.11730	-35.25	6.96284	177.3	0.01108	19.97	0.07643	142.1	6.4
3800	0.08946	-46.06	6.62125	171.3	0.01107	27.62	0.09760	153.5	6.7
4000	0.06606	-64.65	6.32249	165.6	0.01178	34.46	0.12925	160.6	6.6



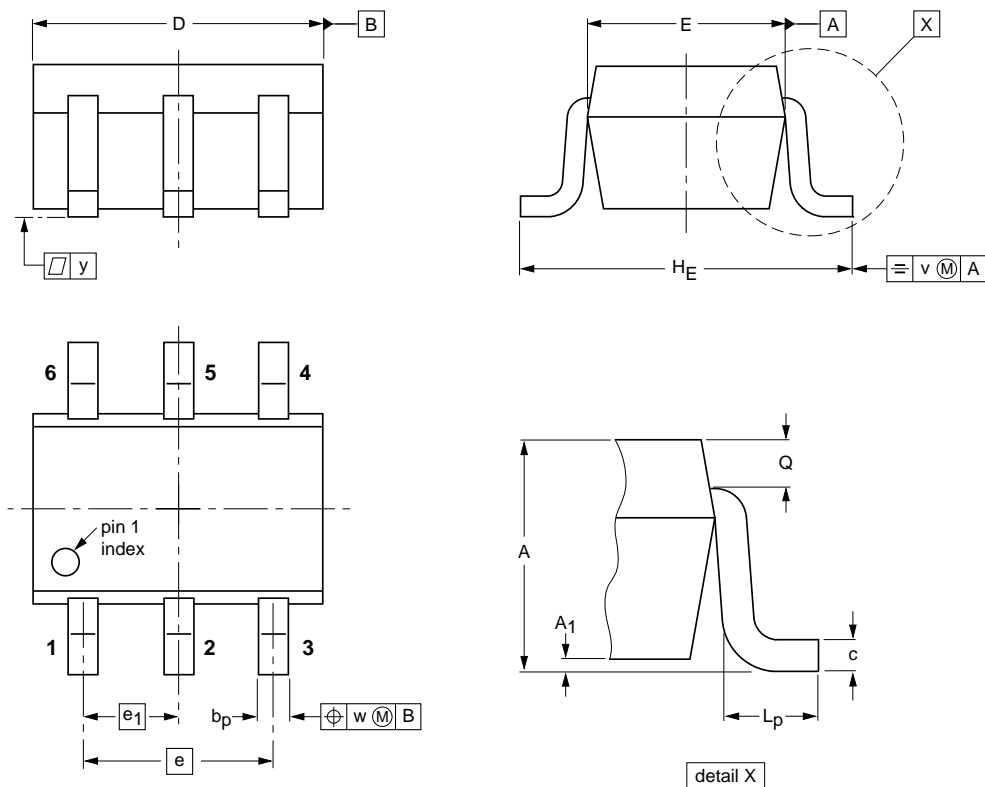
MMIC wideband amplifier

BGA2712

PACKAGE OUTLINE

Plastic surface-mounted package; 6 leads

SOT363



DIMENSIONS (mm are the original dimensions)

UNIT	A	A <sub>1</sub> max	b <sub>p</sub>	c	D	E	e	e <sub>1</sub>	H <sub>E</sub>	L <sub>p</sub>	Q	v	w	y
mm	1.1 0.8	0.1	0.30 0.20	0.25 0.10	2.2 1.8	1.35 1.15	1.3	0.65	2.2 2.0	0.45 0.15	0.25 0.15	0.2	0.2	0.1

OUTLINE VERSION	REFERENCES				EUROPEAN PROJECTION	ISSUE DATE
	IEC	JEDEC	JEITA			
SOT363			SC-88			04-11-08 06-03-16

## MMIC wideband amplifier

BGA2712

## DATA SHEET STATUS

DOCUMENT STATUS <sup>(1)</sup>	PRODUCT STATUS <sup>(2)</sup>	DEFINITION
Objective data sheet	Development	This document contains data from the objective specification for product development.
Preliminary data sheet	Qualification	This document contains data from the preliminary specification.
Product data sheet	Production	This document contains the product specification.

## Notes

1. Please consult the most recently issued document before initiating or completing a design.
2. The product status of device(s) described in this document may have changed since this document was published and may differ in case of multiple devices. The latest product status information is available on the Internet at URL <http://www.nxp.com>.

## DEFINITIONS

**Product specification** — The information and data provided in a Product data sheet shall define the specification of the product as agreed between NXP Semiconductors and its customer, unless NXP Semiconductors and customer have explicitly agreed otherwise in writing. In no event however, shall an agreement be valid in which the NXP Semiconductors product is deemed to offer functions and qualities beyond those described in the Product data sheet.

## DISCLAIMERS

**Limited warranty and liability** — Information in this document is believed to be accurate and reliable. However, NXP Semiconductors does not give any representations or warranties, expressed or implied, as to the accuracy or completeness of such information and shall have no liability for the consequences of use of such information.

In no event shall NXP Semiconductors be liable for any indirect, incidental, punitive, special or consequential damages (including - without limitation - lost profits, lost savings, business interruption, costs related to the removal or replacement of any products or rework charges) whether or not such damages are based on tort (including negligence), warranty, breach of contract or any other legal theory.

Notwithstanding any damages that customer might incur for any reason whatsoever, NXP Semiconductors' aggregate and cumulative liability towards customer for the products described herein shall be limited in accordance with the *Terms and conditions of commercial sale* of NXP Semiconductors.

**Right to make changes** — NXP Semiconductors reserves the right to make changes to information published in this document, including without limitation specifications and product descriptions, at any time and without notice. This document supersedes and replaces all information supplied prior to the publication hereof.

**Suitability for use** — NXP Semiconductors products are not designed, authorized or warranted to be suitable for use in life support, life-critical or safety-critical systems or equipment, nor in applications where failure or malfunction of an NXP Semiconductors product can reasonably be expected to result in personal injury, death or severe property or environmental damage. NXP Semiconductors accepts no liability for inclusion and/or use of NXP Semiconductors products in such equipment or applications and therefore such inclusion and/or use is at the customer's own risk.

**Applications** — Applications that are described herein for any of these products are for illustrative purposes only. NXP Semiconductors makes no representation or warranty that such applications will be suitable for the specified use without further testing or modification.

Customers are responsible for the design and operation of their applications and products using NXP Semiconductors products, and NXP Semiconductors accepts no liability for any assistance with applications or customer product design. It is customer's sole responsibility to determine whether the NXP Semiconductors product is suitable and fit for the customer's applications and products planned, as well as for the planned application and use of customer's third party customer(s). Customers should provide appropriate design and operating safeguards to minimize the risks associated with their applications and products.

---

## MMIC wideband amplifier

## BGA2712

---

NXP Semiconductors does not accept any liability related to any default, damage, costs or problem which is based on any weakness or default in the customer's applications or products, or the application or use by customer's third party customer(s). Customer is responsible for doing all necessary testing for the customer's applications and products using NXP Semiconductors products in order to avoid a default of the applications and the products or of the application or use by customer's third party customer(s). NXP does not accept any liability in this respect.

**Limiting values** — Stress above one or more limiting values (as defined in the Absolute Maximum Ratings System of IEC 60134) will cause permanent damage to the device. Limiting values are stress ratings only and (proper) operation of the device at these or any other conditions above those given in the Recommended operating conditions section (if present) or the Characteristics sections of this document is not warranted. Constant or repeated exposure to limiting values will permanently and irreversibly affect the quality and reliability of the device.

**Terms and conditions of commercial sale** — NXP Semiconductors products are sold subject to the general terms and conditions of commercial sale, as published at <http://www.nxp.com/profile/terms>, unless otherwise agreed in a valid written individual agreement. In case an individual agreement is concluded only the terms and conditions of the respective agreement shall apply. NXP Semiconductors hereby expressly objects to applying the customer's general terms and conditions with regard to the purchase of NXP Semiconductors products by customer.

**No offer to sell or license** — Nothing in this document may be interpreted or construed as an offer to sell products that is open for acceptance or the grant, conveyance or implication of any license under any copyrights, patents or other industrial or intellectual property rights.

**Export control** — This document as well as the item(s) described herein may be subject to export control regulations. Export might require a prior authorization from national authorities.

**Quick reference data** — The Quick reference data is an extract of the product data given in the Limiting values and Characteristics sections of this document, and as such is not complete, exhaustive or legally binding.

**Non-automotive qualified products** — Unless this data sheet expressly states that this specific NXP Semiconductors product is automotive qualified, the product is not suitable for automotive use. It is neither qualified nor tested in accordance with automotive testing or application requirements. NXP Semiconductors accepts no liability for inclusion and/or use of non-automotive qualified products in automotive equipment or applications.

In the event that customer uses the product for design-in and use in automotive applications to automotive specifications and standards, customer (a) shall use the product without NXP Semiconductors' warranty of the product for such automotive applications, use and specifications, and (b) whenever customer uses the product for automotive applications beyond NXP Semiconductors' specifications such use shall be solely at customer's own risk, and (c) customer fully indemnifies NXP Semiconductors for any liability, damages or failed product claims resulting from customer design and use of the product for automotive applications beyond NXP Semiconductors' standard warranty and NXP Semiconductors' product specifications.

# **NXP Semiconductors**

***provides High Performance Mixed Signal and Standard Product solutions that leverage its leading RF, Analog, Power Management, Interface, Security and Digital Processing expertise***

## **Customer notification**

This data sheet was changed to reflect the new company name NXP Semiconductors, including new legal definitions and disclaimers. No changes were made to the technical content, except for package outline drawings which were updated to the latest version.

## **Contact information**

For additional information please visit: <http://www.nxp.com>

For sales offices addresses send e-mail to: [salesaddresses@nxp.com](mailto:salesaddresses@nxp.com)

© NXP B.V. 2010

All rights are reserved. Reproduction in whole or in part is prohibited without the prior written consent of the copyright owner.

The information presented in this document does not form part of any quotation or contract, is believed to be accurate and reliable and may be changed without notice. No liability will be accepted by the publisher for any consequence of its use. Publication thereof does not convey nor imply any license under patent- or other industrial or intellectual property rights.