

74HC2G66; 74HCT2G66

Dual single-pole single-throw analog switch

Rev. 10 — 3 October 2013

Product data sheet

1. General description

The 74HC2G66; 74HCT2G66 is a dual single pole, single-throw analog switch. Each switch has two input/output terminals (nY and nZ) and a digital enable input (nE). When nE is LOW, the analog switch is turned off. Inputs include clamp diodes. This enables the use of current limiting resistors to interface inputs to voltages in excess of V_{CC} .

2. Features and benefits

- Wide supply voltage range from 2.0 V to 10.0 V for 74HC2G66
- Very low ON resistance:
 - ◆ 41 Ω (typ.) at $V_{CC} = 4.5$ V
 - ◆ 30 Ω (typ.) at $V_{CC} = 6.0$ V
 - ◆ 21 Ω (typ.) at $V_{CC} = 9.0$ V
- High noise immunity
- Low power dissipation
- 25 mA continuous switch current
- Multiple package options
- ESD protection:
 - ◆ HBM JESD22-A114F exceeds 2000 V
 - ◆ MM JESD22-A115-A exceeds 200 V
- Specified from -40 °C to $+85$ °C and -40 °C to $+125$ °C

3. Ordering information

Table 1. Ordering information

| Type number | Package | | | |
|---------------------------|-----------------------|--------|---|----------|
| | Temperature range | Name | Description | Version |
| 74HC2G66DP 74HCT2G66DP | -40 °C to $+125$ °C | TSSOP8 | plastic thin shrink small outline package; 8 leads; body width 3 mm; lead length 0.5 mm | SOT505-2 |
| 74HC2G66DC 74HCT2G66DC | -40 °C to $+125$ °C | VSSOP8 | plastic very thin shrink small outline package; 8 leads; body width 2.3 mm | SOT765-1 |
| 74HC2G66GT 74HCT2G66GT | -40 °C to $+125$ °C | XSON8 | plastic extremely thin small outline package; no leads; 8 terminals; body $1 \times 1.95 \times 0.5$ mm | SOT833-1 |
| 74HC2G66GD 74HCT2G66GD | -40 °C to $+125$ °C | XSON8 | plastic extremely thin small outline package; no leads; 8 terminals; body $3 \times 2 \times 0.5$ mm | SOT996-2 |



4. Marking

Table 2. Marking codes

| Type number | Marking ^[1] |
|-------------|------------------------|
| 74HC2G66DP | H66 |
| 74HCT2G66DP | T66 |
| 74HC2G66DC | H66 |
| 74HCT2G66DC | T66 |
| 74HC2G66GT | H66 |
| 74HCT2G66GT | T66 |
| 74HC2G66GD | H66 |
| 74HCT2G66GD | T66 |

[1] The pin 1 indicator is located on the lower left corner of the device, below the marking code.

5. Functional diagram

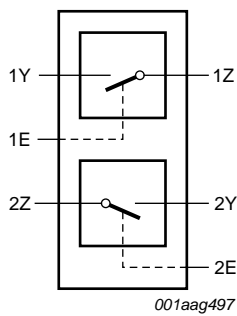


Fig 1. Logic symbol

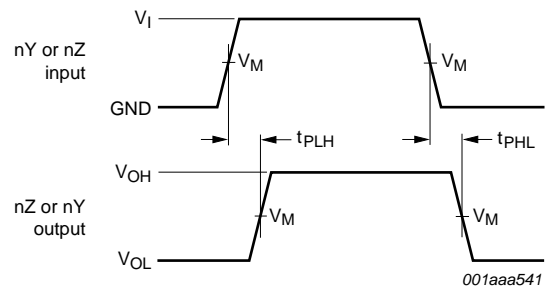
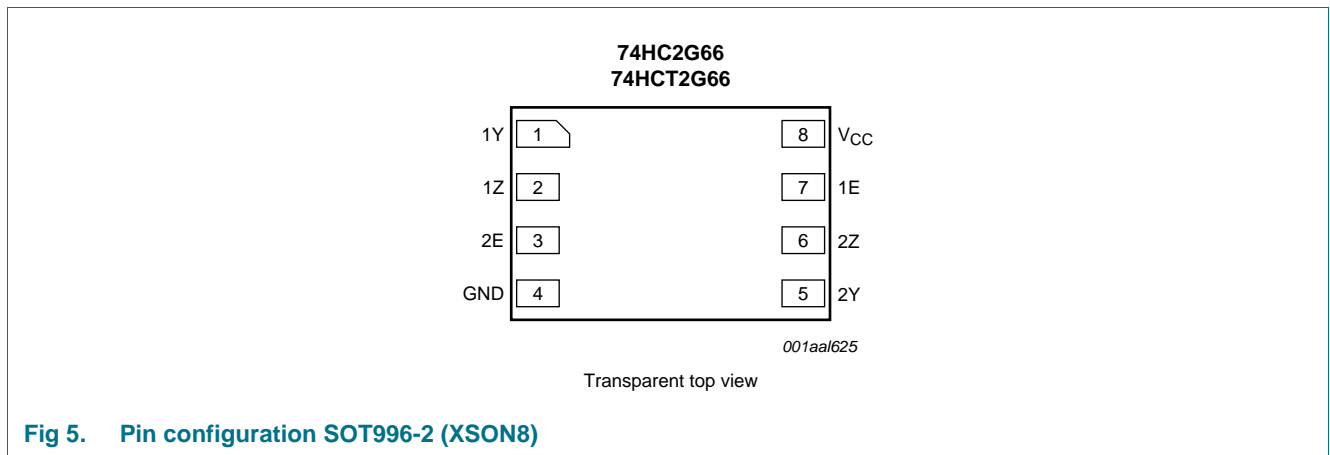
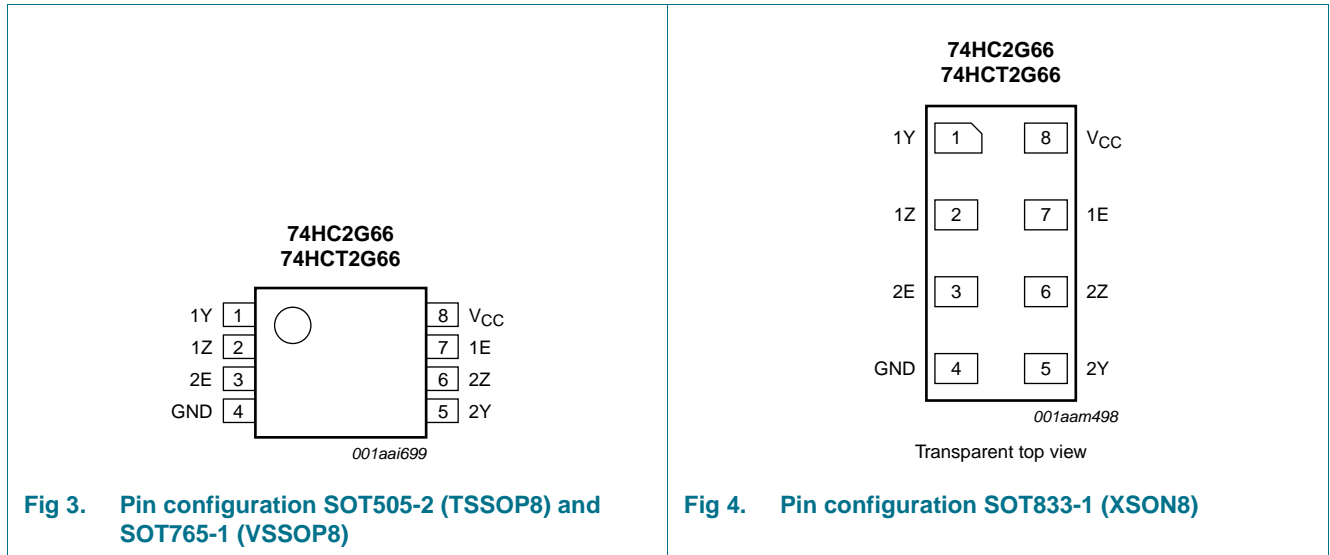


Fig 2. Logic diagram for 1 switch

6. Pinning information

6.1 Pinning



6.2 Pin description

Table 3. Pin description

| Symbol | Pin | Description |
|-----------------|------|-----------------------------|
| 1Y, 2Y | 1, 5 | independent input or output |
| 1Z, 2Z | 2, 6 | independent input or output |
| GND | 4 | ground (0 V) |
| 1E, 2E | 7, 3 | enable input (active HIGH) |
| V _{CC} | 8 | supply voltage |

7. Functional description

Table 4. Function table^[1]

| Input nE | Switch |
|----------|--------|
| L | OFF |
| H | ON |

[1] H = HIGH voltage level; L = LOW voltage level.

8. Limiting values

Table 5. Limiting values

In accordance with the Absolute Maximum Rating System (IEC 60134). Voltages are referenced to GND (ground = 0 V).

| Symbol | Parameter | Conditions | Min | Max | Unit |
|-----------|-------------------------|--|------------------|----------|------|
| V_{CC} | supply voltage | | -0.5 | +11.0 | V |
| I_{IK} | input clamping current | $V_I < -0.5\text{ V}$ or $V_I > V_{CC} + 0.5\text{ V}$ | ^[1] - | ± 20 | mA |
| I_{SK} | switch clamping current | $V_I < -0.5\text{ V}$ or $V_I > V_{CC} + 0.5\text{ V}$ | ^[1] - | ± 20 | mA |
| I_{SW} | switch current | $V_{SW} > -0.5\text{ V}$ or $V_{SW} < V_{CC} + 0.5\text{ V}$ | - | ± 20 | mA |
| I_{CC} | supply current | | - | 30 | mA |
| I_{GND} | ground current | | -30 | - | mA |
| T_{stg} | storage temperature | | -65 | +150 | °C |
| P_{tot} | total power dissipation | $T_{amb} = -40\text{ °C}$ to $+125\text{ °C}$ | | | |
| | | per package | ^[2] - | 300 | mW |
| | | per switch | ^[2] - | 100 | mW |

[1] The input and output voltage ratings may be exceeded if the input and output current ratings are observed.

[2] For TSSOP8 packages: above 55 °C the value of P_{tot} derates linearly with 2.5 mW/K.
 For VSSOP8 packages: above 110 °C the value of P_{tot} derates linearly with 8.0 mW/K.
 For XSON8 packages: above 118 °C the value of P_{tot} derates linearly with 7.8 mW/K.

9. Recommended operating conditions

Table 6. Recommended operating conditions

Voltages are referenced to GND (ground = 0 V).^[1]

| Symbol | Parameter | Conditions | 74HC2G66 | | | 74HCT2G66 | | | Unit |
|------------------|-------------------------------------|--------------------------|----------|------|-----------------|-----------|------|-----------------|------|
| | | | Min | Typ | Max | Min | Typ | Max | |
| V _{CC} | supply voltage | | 2.0 | 5.0 | 10.0 | 4.5 | 5.0 | 5.5 | V |
| V _I | input voltage | | 0 | - | V _{CC} | 0 | - | V _{CC} | V |
| V _O | output voltage | | 0 | - | V _{CC} | 0 | - | V _{CC} | V |
| V _{SW} | switch voltage | | 0 | - | V _{CC} | 0 | - | V _{CC} | V |
| T _{amb} | ambient temperature | | -40 | +25 | +125 | -40 | +25 | +125 | °C |
| Δt/ΔV | input transition rise and fall rate | V _{CC} = 2.0 V | - | - | 625 | - | - | - | ns/V |
| | | V _{CC} = 4.5 V | - | 1.67 | 139 | - | 1.67 | 139 | ns/V |
| | | V _{CC} = 6.0 V | - | - | 83 | - | - | - | ns/V |
| | | V _{CC} = 10.0 V | - | - | 35 | - | - | - | ns/V |

[1] To avoid drawing V_{CC} current out of pin nZ, when switch current flows in pin nY, the voltage drop across the bidirectional switch must not exceed 0.4 V. If the switch current flows into pin nZ, no V_{CC} current will flow out of terminal nY. In this case there is no limit for the voltage drop across the switch, but the voltage at pins nY and nZ may not exceed V_{CC} or GND.

10. Static characteristics

Table 7. Static characteristics

Voltages are referenced to GND (ground = 0 V).

| Symbol | Parameter | Conditions | -40 °C to +85 °C | | | -40 °C to +125 °C | | Unit |
|---------------------|---------------------------|---|------------------|--------------------|------|-------------------|------|------|
| | | | Min | Typ ^[1] | Max | Min | Max | |
| 74HC2G66 | | | | | | | | |
| V _{IH} | HIGH-level input voltage | V _{CC} = 2.0 V | 1.5 | 1.2 | - | 1.5 | - | V |
| | | V _{CC} = 4.5 V | 3.15 | 2.4 | - | 3.15 | - | V |
| | | V _{CC} = 6.0 V | 4.2 | 3.2 | - | 4.2 | - | V |
| | | V _{CC} = 9.0 V | 6.3 | 4.7 | - | 6.3 | - | V |
| V _{IL} | LOW-level input voltage | V _{CC} = 2.0 V | - | 0.8 | 0.5 | - | 0.5 | V |
| | | V _{CC} = 4.5 V | - | 2.1 | 1.35 | - | 1.35 | V |
| | | V _{CC} = 6.0 V | - | 2.8 | 1.8 | - | 1.8 | V |
| | | V _{CC} = 9.0 V | - | 4.3 | 2.7 | - | 2.7 | V |
| I _I | input leakage current | nE; V _I = V _{CC} or GND | | | | | | |
| | | V _{CC} = 6.0 V | - | - | ±0.1 | - | ±0.1 | μA |
| | | V _{CC} = 9.0 V | - | - | ±0.2 | - | ±0.2 | μA |
| I _{S(OFF)} | OFF-state leakage current | nY or nZ; V _{CC} = 9.0 V; see Figure 6 | - | 0.1 | 1.0 | - | 1.0 | μA |
| I _{S(ON)} | ON-state leakage current | nY or nZ; V _{CC} = 9.0 V; see Figure 7 | - | 0.1 | 1.0 | - | 1.0 | μA |
| I _{CC} | supply current | nE, nY and nZ = V _{CC} or GND | | | | | | |
| | | V _{CC} = 6.0 V | - | - | 10 | - | 20 | μA |
| | | V _{CC} = 9.0 V | - | - | 20 | - | 40 | μA |

Table 7. Static characteristics ...continued
 Voltages are referenced to GND (ground = 0 V).

| Symbol | Parameter | Conditions | -40 °C to +85 °C | | | -40 °C to +125 °C | | Unit |
|---------------------|-------------------------------|---|------------------|--------------------|------|-------------------|------|------|
| | | | Min | Typ ^[1] | Max | Min | Max | |
| C _I | input capacitance | | - | 3.5 | - | - | - | pF |
| C _{PD} | power dissipation capacitance | | - | 9 | - | - | - | pF |
| C _{S(ON)} | ON-state capacitance | | - | 8 | - | - | - | pF |
| 74HCT2G66 | | | | | | | | |
| V _{IH} | HIGH-level input voltage | V _{CC} = 4.5 V to 5.5 V | 2.0 | 1.6 | - | 2.0 | - | V |
| V _{IL} | LOW-level input voltage | V _{CC} = 4.5 V to 5.5 V | - | 1.2 | 0.8 | - | 0.8 | V |
| I _I | input leakage current | nE; V _I = V _{CC} or GND; V _{CC} = 5.5 V | - | - | ±1.0 | - | ±1.0 | μA |
| I _{S(OFF)} | OFF-state leakage current | nY or nZ; V _{CC} = 5.5 V; see Figure 6 | - | 0.1 | 1.0 | - | 1.0 | μA |
| I _{S(ON)} | ON-state leakage current | nY or nZ; V _{CC} = 5.5 V; see Figure 7 | - | 0.1 | 1.0 | - | 1.0 | μA |
| I _{CC} | supply current | nE, nY and nZ = V _{CC} or GND; V _{CC} = 4.5 V to 5.5 V | - | - | 10 | - | 20 | μA |
| ΔI _{CC} | additional supply current | nE = V _{CC} - 2.1 V; I _O = 0 A; V _{CC} = 4.5 V to 5.5 V; | - | - | 375 | - | 410 | μA |
| C _I | input capacitance | | - | 3.5 | - | - | - | pF |
| C _{PD} | power dissipation capacitance | | - | 9 | - | - | - | pF |
| C _{S(ON)} | ON-state capacitance | | - | 8 | - | - | - | pF |

[1] Typical values are measured at T_{amb} = 25 °C.

10.1 Test circuits

V_I = V_{CC} or GND and V_O = GND or V_{CC}.

Fig 6. Test circuit for measuring OFF-state leakage current

V_I = V_{CC} or GND and V_O = open circuit.

Fig 7. Test circuit for measuring ON-state leakage current

10.2 ON resistance

Table 8. ON resistance for 74HC2G66 and 74HCT2G66

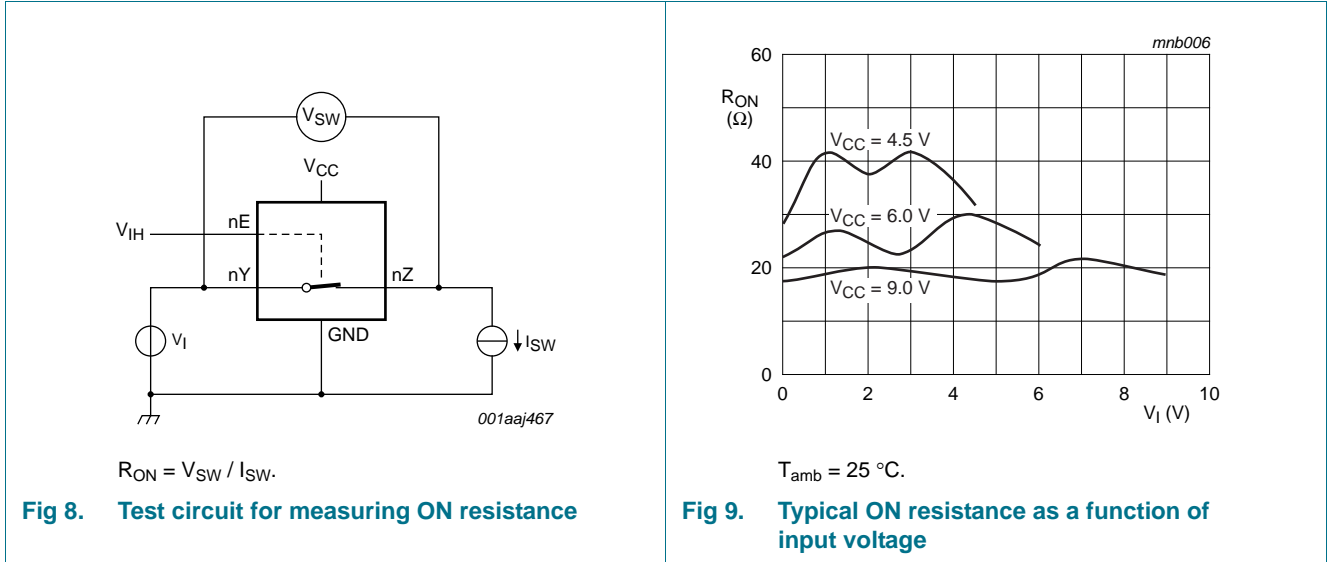
At recommended operating conditions; voltages are referenced to GND (ground 0 V); for graph see [Figure 9](#).

| Symbol | Parameter | Conditions | -40 °C to +85 °C | | | -40 °C to +125 °C | | Unit |
|-------------------------------|---|--|------------------|--------------------|-----|-------------------|-----|------|
| | | | Min | Typ ^[2] | Max | Min | Max | |
| 74HC2G66^[1] | | | | | | | | |
| R _{ON(peak)} | ON resistance (peak) | V _I = GND to V _{CC} ; see Figure 8 and 9 | | | | | | |
| | | I _{SW} = 0.1 mA; V _{CC} = 2.0 V | - | 250 | - | - | - | Ω |
| | | I _{SW} = 1.0 mA; V _{CC} = 4.5 V | - | 41 | 118 | - | 142 | Ω |
| | | I _{SW} = 1.0 mA; V _{CC} = 6.0 V | - | 30 | 105 | - | 126 | Ω |
| | | I _{SW} = 1.0 mA; V _{CC} = 9.0 V | - | 21 | 88 | - | 105 | Ω |
| R _{ON(rail)} | ON resistance (rail) | V _I = GND; see Figure 8 and 9 | | | | | | |
| | | I _{SW} = 0.1 mA; V _{CC} = 2.0 V | - | 65 | - | - | - | Ω |
| | | I _{SW} = 1.0 mA; V _{CC} = 4.5 V | - | 28 | 95 | - | 115 | Ω |
| | | I _{SW} = 1.0 mA; V _{CC} = 6.0 V | - | 22 | 82 | - | 100 | Ω |
| | | I _{SW} = 1.0 mA; V _{CC} = 9.0 V | - | 18 | 70 | - | 80 | Ω |
| | | V _I = V _{CC} ; see Figure 8 and 9 | | | | | | |
| | | I _{SW} = 0.1 mA; V _{CC} = 2.0 V | - | 65 | - | - | - | Ω |
| | | I _{SW} = 1.0 mA; V _{CC} = 4.5 V | - | 31 | 106 | - | 128 | Ω |
| | | I _{SW} = 1.0 mA; V _{CC} = 6.0 V | - | 23 | 94 | - | 113 | Ω |
| | | I _{SW} = 1.0 mA; V _{CC} = 9.0 V | - | 19 | 78 | - | 95 | Ω |
| ΔR _{ON} | ON resistance mismatch between channels | V _I = V _{CC} to GND; see Figure 8 and 9 | | | | | | |
| | | V _{CC} = 4.5 V | - | 5 | - | - | - | Ω |
| | | V _{CC} = 6.0 V | - | 4 | - | - | - | Ω |
| | | V _{CC} = 9.0 V | - | 3 | - | - | - | Ω |
| 74HCT2G66 | | | | | | | | |
| R _{ON(peak)} | ON resistance (peak) | V _I = GND to V _{CC} ; see Figure 8 and 9 | | | | | | |
| | | I _{SW} = 1.0 mA; V _{CC} = 4.5 V | - | 41 | 118 | - | 142 | Ω |
| R _{ON(rail)} | ON resistance (rail) | V _I = GND; see Figure 8 and 9 | | | | | | |
| | | I _{SW} = 1.0 mA; V _{CC} = 4.5 V | - | 28 | 95 | - | 115 | Ω |
| | | V _I = V _{CC} ; see Figure 8 and 9 | | | | | | |
| | | I _{SW} = 1.0 mA; V _{CC} = 4.5 V | - | 31 | 106 | - | 128 | Ω |
| ΔR _{ON} | ON resistance mismatch between channels | V _I = V _{CC} to GND; see Figure 8 and 9 | | | | | | |
| | | V _{CC} = 4.5 V | - | 5 | - | - | - | Ω |

[1] At supply voltages approaching 2 V, the ON resistance becomes extremely non-linear. Therefore it is recommended that these devices be used to transmit digital signals only, when using this supply voltage.

[2] Typical values are measured at T_{amb} = 25 °C.

10.3 ON resistance test circuit and graphs



11. Dynamic characteristics

Table 9. Dynamic characteristics

Voltages are referenced to GND (ground = 0 V); For test circuit see Figure 12.

| Symbol | Parameter | Conditions | -40 °C to +85 °C | | | -40 °C to +125 °C | | Unit |
|-----------------|-------------------------------|---|------------------|--------------------|-----|-------------------|-----|------|
| | | | Min | Typ ^[1] | Max | Min | Max | |
| 74HC2G66 | | | | | | | | |
| t_{pd} | propagation delay | nY to nZ or nZ to nY; $R_L = \infty \Omega$; see Figure 10 | | [2] | | | | |
| | | $V_{CC} = 2.0\text{ V}$ | - | 6.5 | 65 | - | 80 | ns |
| | | $V_{CC} = 4.5\text{ V}$ | - | 2 | 13 | - | 15 | ns |
| | | $V_{CC} = 6.0\text{ V}$ | - | 1.5 | 11 | - | 14 | ns |
| | | $V_{CC} = 9.0\text{ V}$ | - | 1.2 | 10 | - | 12 | ns |
| t_{en} | enable time | nE to nY or nZ; see Figure 11 | | [2] | | | | |
| | | $V_{CC} = 2.0\text{ V}$ | - | 40 | 125 | - | 150 | ns |
| | | $V_{CC} = 4.5\text{ V}$ | - | 12 | 29 | - | 30 | ns |
| | | $V_{CC} = 6.0\text{ V}$ | - | 10 | 21 | - | 26 | ns |
| | | $V_{CC} = 9.0\text{ V}$ | - | 7 | 16 | - | 20 | ns |
| t_{dis} | disable time | nE to nY or nZ; see Figure 11 | | [2] | | | | |
| | | $V_{CC} = 2.0\text{ V}$ | - | 21 | 145 | - | 175 | ns |
| | | $V_{CC} = 4.5\text{ V}$ | - | 12 | 29 | - | 35 | ns |
| | | $V_{CC} = 6.0\text{ V}$ | - | 11 | 28 | - | 33 | ns |
| | | $V_{CC} = 9.0\text{ V}$ | - | 10 | 23 | - | 27 | ns |
| C_{PD} | power dissipation capacitance | $V_I = \text{GND to } V_{CC}$ | | [3] | | | | |
| | | | - | 9 | - | - | - | pF |

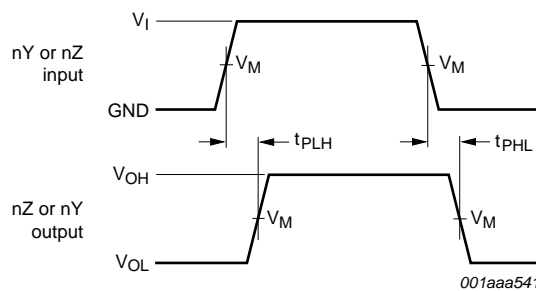
Table 9. Dynamic characteristics ...continued

Voltages are referenced to GND (ground = 0 V); For test circuit see [Figure 12](#).

| Symbol | Parameter | Conditions | -40 °C to +85 °C | | | -40 °C to +125 °C | | Unit |
|------------------|-------------------------------|---|------------------|--------------------|-----|-------------------|-----|------|
| | | | Min | Typ ^[1] | Max | Min | Max | |
| 74HCT2G66 | | | | | | | | |
| t_{pd} | propagation delay | nY to nZ or nZ to nY; $R_L = \infty \Omega$; see Figure 10 | | | | | | |
| | | $V_{CC} = 4.5 V$ | - | 2 | 15 | - | 18 | ns |
| t_{en} | enable time | nE to nY or nZ; see Figure 11 | | | | | | |
| | | $V_{CC} = 4.5 V$ | - | 13 | 30 | - | 36 | ns |
| t_{dis} | disable time | nE to nY or nZ; see Figure 11 | | | | | | |
| | | $V_{CC} = 4.5 V$ | - | 13 | 44 | - | 53 | ns |
| C_{PD} | power dissipation capacitance | $V_I = GND$ to $V_{CC} - 1.5 V$ | | | | | | pF |

- [1] All typical values are measured at $T_{amb} = 25 \text{ }^\circ\text{C}$.
- [2] t_{pd} is the same as t_{PLH} and t_{PHL} .
 t_{en} is the same as t_{PZL} and t_{PZH} .
 t_{dis} is the same as t_{PLZ} and t_{PHZ} .
- [3] C_{PD} is used to determine the dynamic power dissipation P_D (μW).
 $P_D = C_{PD} \times V_{CC}^2 \times f_i + \Sigma((C_L \times C_{SW}) \times V_{CC}^2 \times f_o)$ where:
 f_i = input frequency in MHz;
 f_o = output frequency in MHz;
 C_L = output load capacitance in pF;
 C_{SW} = maximum switch capacitance in pF (see [Table 7](#));
 V_{CC} = supply voltage in volts;
 $\Sigma((C_L \times C_{SW}) \times V_{CC}^2 \times f_o)$ = sum of outputs.

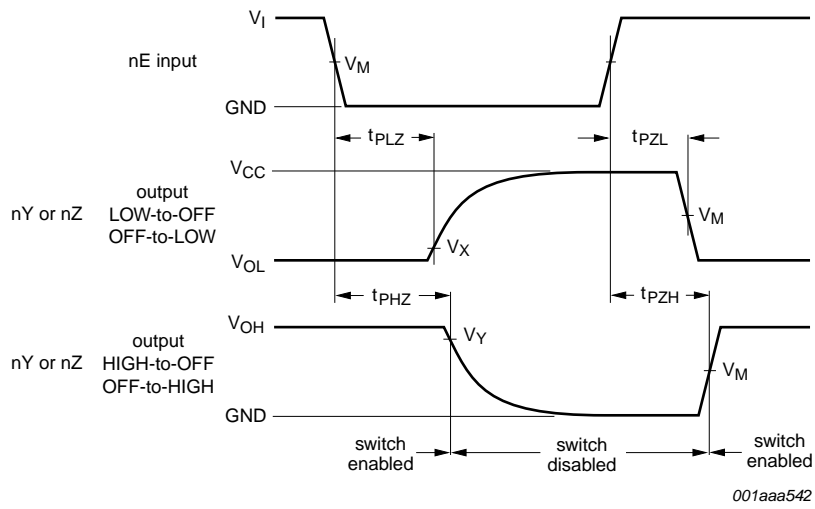
11.1 Waveforms and test circuit



Measurement points are given in [Table 10](#).

Logic levels: V_{OL} and V_{OH} are typical output voltage levels that occur with the output load.

Fig 10. Input (nY or nZ) to output (nZ or nY) propagation delays



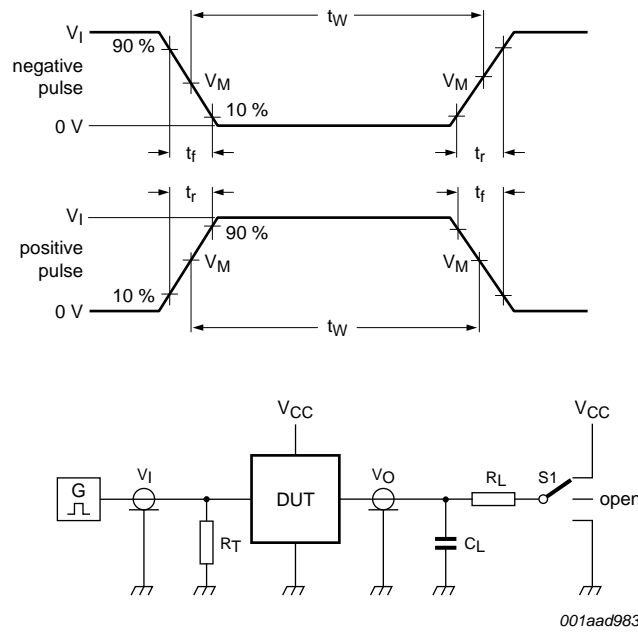
Measurement points are given in [Table 10](#).

Logic levels: V_{OL} and V_{OH} are typical output voltage levels that occur with the output load.

Fig 11. Enable and disable times

Table 10. Measurement points

| Type | Input | Output | | |
|-----------|-------------|-------------|-----------------|-----------------|
| | V_M | V_M | V_X | V_Y |
| 74HC2G66 | $0.5V_{CC}$ | $0.5V_{CC}$ | $V_{OL} + 10\%$ | $V_{OH} - 10\%$ |
| 74HCT2G66 | 1.3 V | 1.3 V | $V_{OL} + 10\%$ | $V_{OH} - 10\%$ |



Test data is given in [Table 11](#).

Definitions for test circuit:

R_T = Termination resistance should be equal to output impedance Z_o of the pulse generator.

C_L = Load capacitance including jig and probe capacitance.

R_L = Load resistance.

S1 = Test selection switch.

Fig 12. Test circuit for measuring switching times

Table 11. Test data

| Type | Input | | Load | | S1 position | | |
|-----------|-----------------|---------------------------|-------|--------------|--------------------|--------------------|--------------------|
| | V_I | t_r, t_f ^[1] | C_L | R_L | t_{PHL}, t_{PLH} | t_{PZH}, t_{PHZ} | t_{PZL}, t_{PLZ} |
| 74HC2G66 | GND to V_{CC} | 6 ns | 50 pF | 1 k Ω | open | GND | V_{CC} |
| 74HCT2G66 | GND to 3 V | 6 ns | 50 pF | 1 k Ω | open | GND | V_{CC} |

[1] There is no constraint on t_r, t_f with a 50 % duty factor when measuring f_{max} .

11.2 Additional dynamic characteristics

Table 12. Additional dynamic characteristics for 74HC2G66 and 74HCT2G66

$GND = 0 V$; $t_r = t_f = 6.0 ns$; $C_L = 50 pF$; unless otherwise specified. All typical values are measured at $T_{amb} = 25 \text{ }^\circ\text{C}$.

| Symbol | Parameter | Conditions | Min | Typ | Max | Unit | |
|--------|---------------------------|---|-----|------|-----|------|--|
| THD | total harmonic distortion | $f_i = 1 \text{ kHz}$; $R_L = 10 \text{ k}\Omega$; see Figure 13 | | | | % | |
| | | $V_{CC} = 4.5 \text{ V}$; $V_I = 4.0 \text{ V (p-p)}$ | - | 0.04 | - | % | |
| | | $V_{CC} = 9.0 \text{ V}$; $V_I = 8.0 \text{ V (p-p)}$ | - | 0.02 | - | % | |
| | | $f_i = 10 \text{ kHz}$; $R_L = 10 \text{ k}\Omega$; see Figure 13 | | | | | |
| | | $V_{CC} = 4.5 \text{ V}$; $V_I = 4.0 \text{ V (p-p)}$ | - | 0.12 | - | % | |
| | | $V_{CC} = 9.0 \text{ V}$; $V_I = 8.0 \text{ V (p-p)}$ | - | 0.06 | - | % | |

Table 12. Additional dynamic characteristics for 74HC2G66 and 74HCT2G66 ...continued
GND = 0 V; $t_r = t_f = 6.0$ ns; $C_L = 50$ pF; unless otherwise specified. All typical values are measured at $T_{amb} = 25$ °C.

| Symbol | Parameter | Conditions | Min | Typ | Max | Unit |
|----------------|--------------------------|--|-----|-----|-----|------|
| $f_{(-3dB)}$ | -3 dB frequency response | $R_L = 50 \Omega$; $C_L = 10$ pF; see Figure 14 and 15 | | | | |
| | | $V_{CC} = 4.5$ V | - | 180 | - | MHz |
| | | $V_{CC} = 9.0$ V | - | 200 | - | MHz |
| α_{iso} | isolation (OFF-state) | $R_L = 600 \Omega$; $f_i = 1$ MHz; see Figure 16 and 17 | | | | |
| | | $V_{CC} = 4.5$ V | - | -50 | - | dB |
| | | $V_{CC} = 9.0$ V | - | -50 | - | dB |
| V_{ct} | crosstalk voltage | between digital input and switch (peak to peak value); $R_L = 600 \Omega$; $f_i = 1$ MHz; see Figure 18 | | | | |
| | | $V_{CC} = 4.5$ V | - | 110 | - | mV |
| | | $V_{CC} = 9.0$ V | - | 220 | - | mV |
| Xtalk | crosstalk | between switches; $R_L = 600 \Omega$; $f_i = 1$ MHz; see Figure 19 | | | | |
| | | $V_{CC} = 4.5$ V | - | -60 | - | dB |
| | | $V_{CC} = 9.0$ V | - | -60 | - | dB |

11.3 Test circuits and graphs

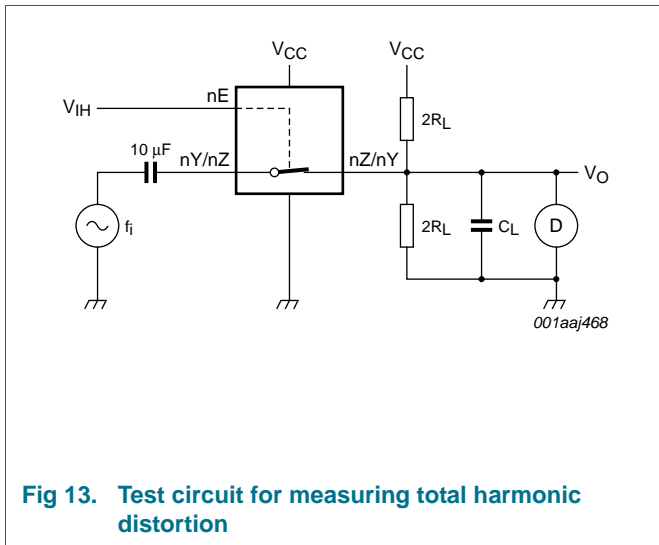


Fig 13. Test circuit for measuring total harmonic distortion

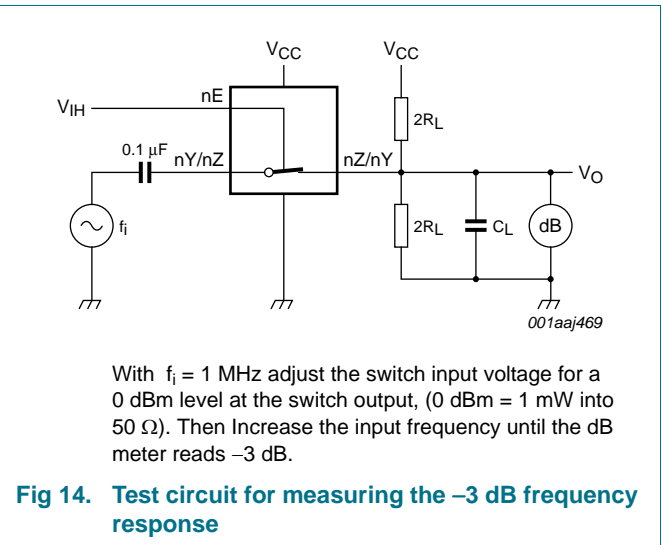


Fig 14. Test circuit for measuring the -3 dB frequency response

With $f_i = 1$ MHz adjust the switch input voltage for a 0 dBm level at the switch output, (0 dBm = 1 mW into 50 Ω). Then increase the input frequency until the dB meter reads -3 dB.

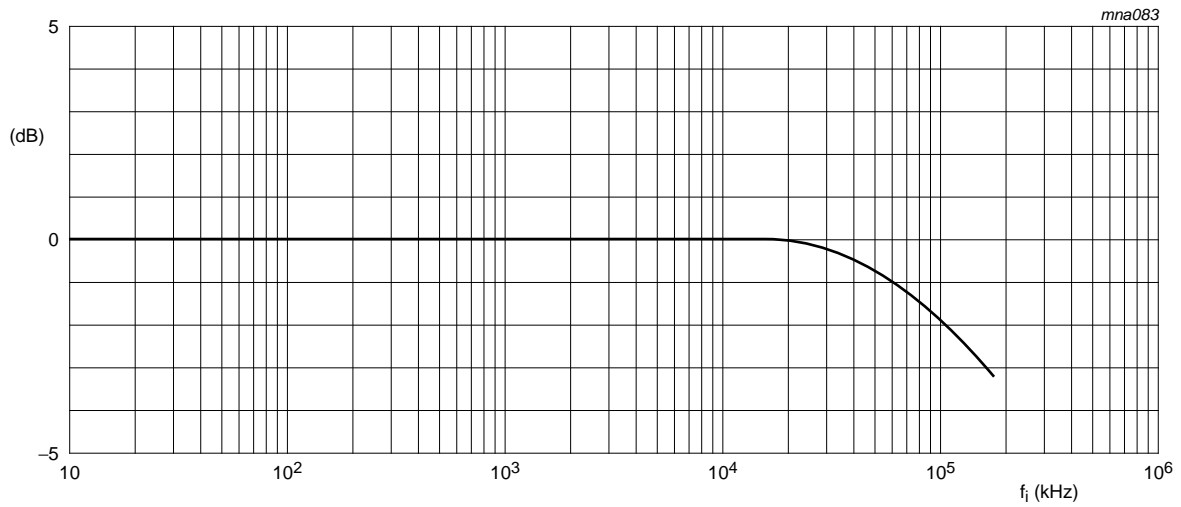
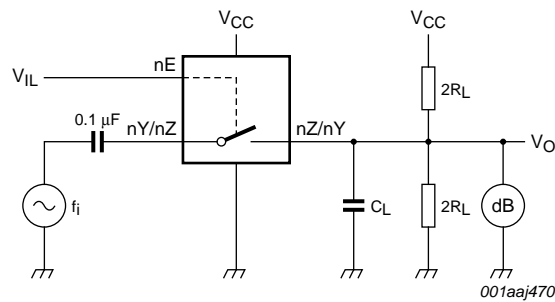


Fig 15. Typical -3 dB frequency response



Adjust the switch input voltage for a 0 dBm level (0 dBm = 1 mW into 600 Ω)

Fig 16. Test circuit for measuring isolation (OFF-state)

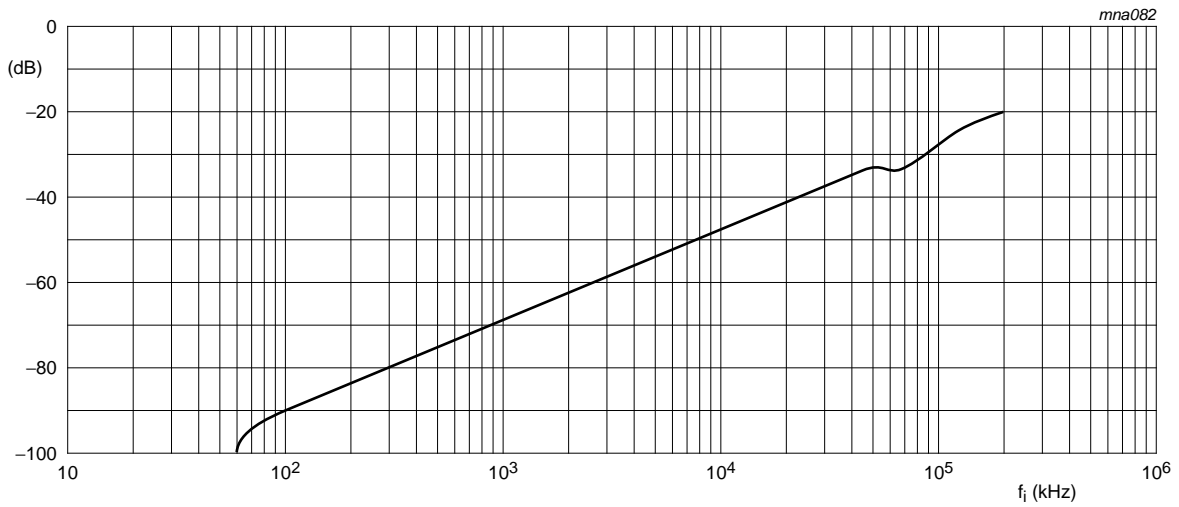
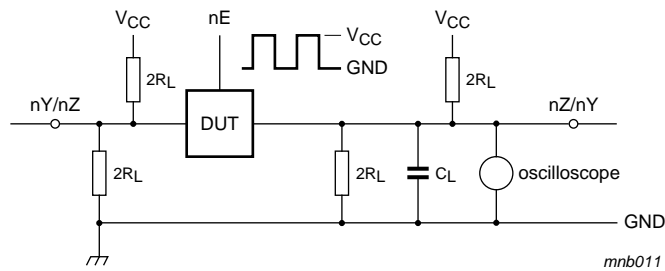
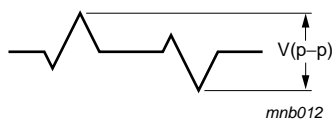


Fig 17. Typical isolation (OFF-state) as a function of frequency



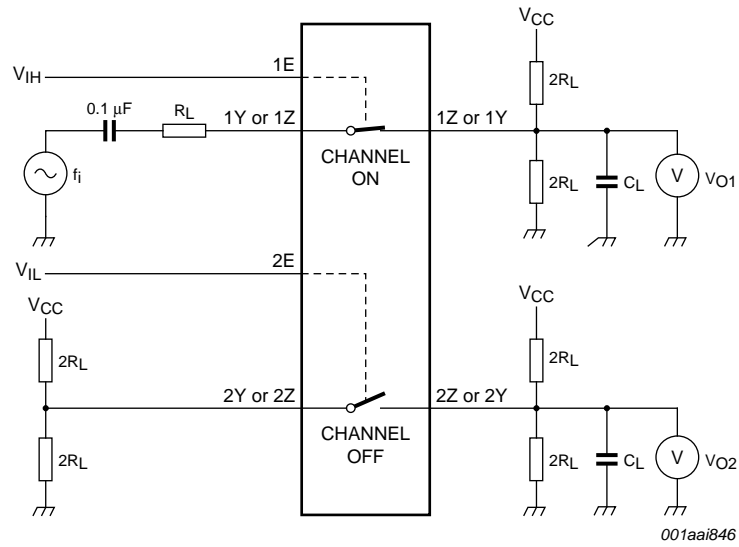
a. Circuit



b. Crosstalk voltage

Adjust the switch input voltage for a 0 dBm level (0 dBm = 1 mW into 600 Ω)

Fig 18. Test circuit for measuring crosstalk voltage (between the digital input and the switch)



Adjust the switch input voltage for a 0 dBm level (0 dBm = 1 mW into 600 Ω)

Fig 19. Test circuit for measuring crosstalk (between the switches)

12. Package outline

TSSOP8: plastic thin shrink small outline package; 8 leads; body width 3 mm; lead length 0.5 mm SOT505-2

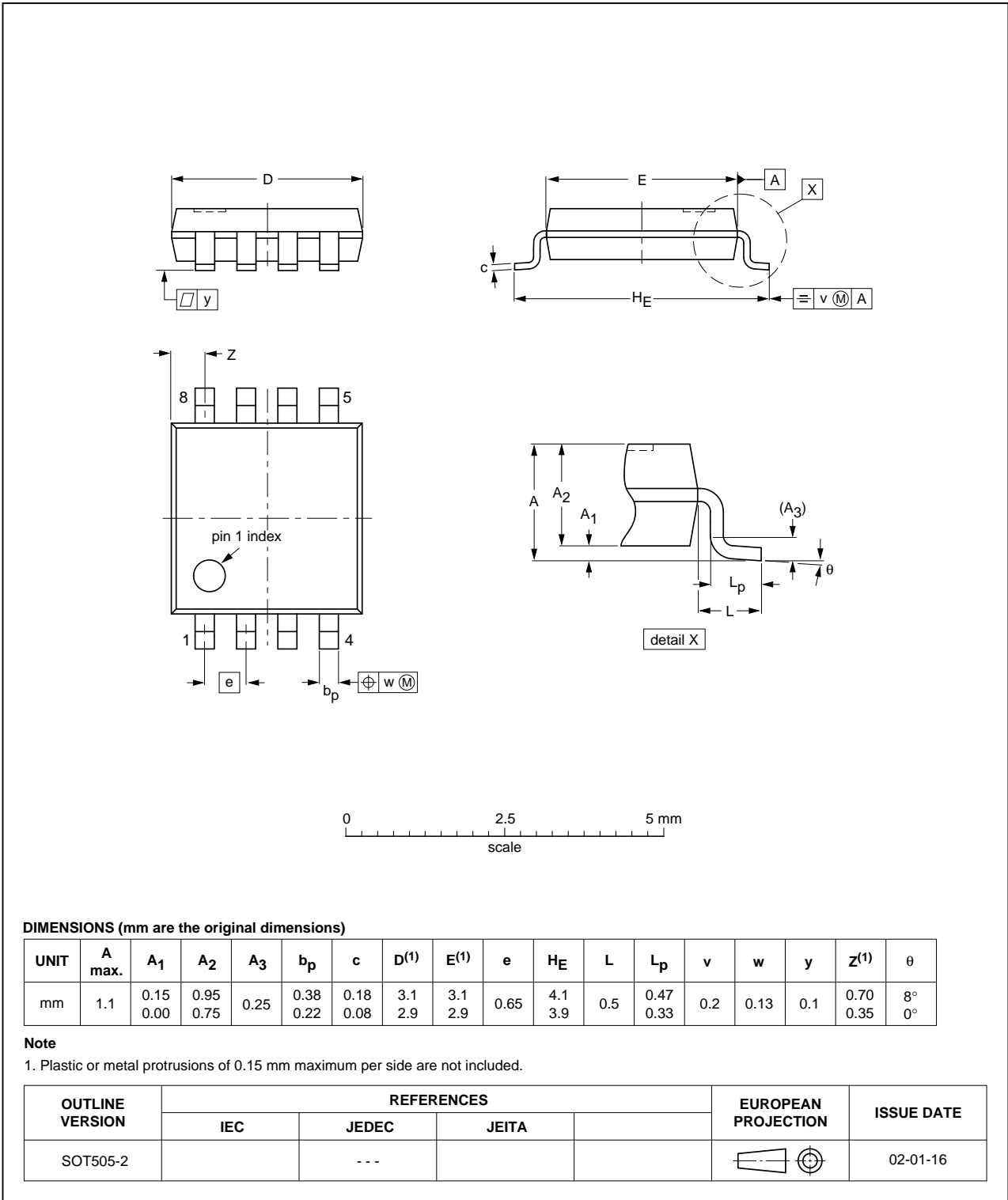


Fig 20. Package outline SOT505-2 (TSSOP8)

VSSOP8: plastic very thin shrink small outline package; 8 leads; body width 2.3 mm

SOT765-1

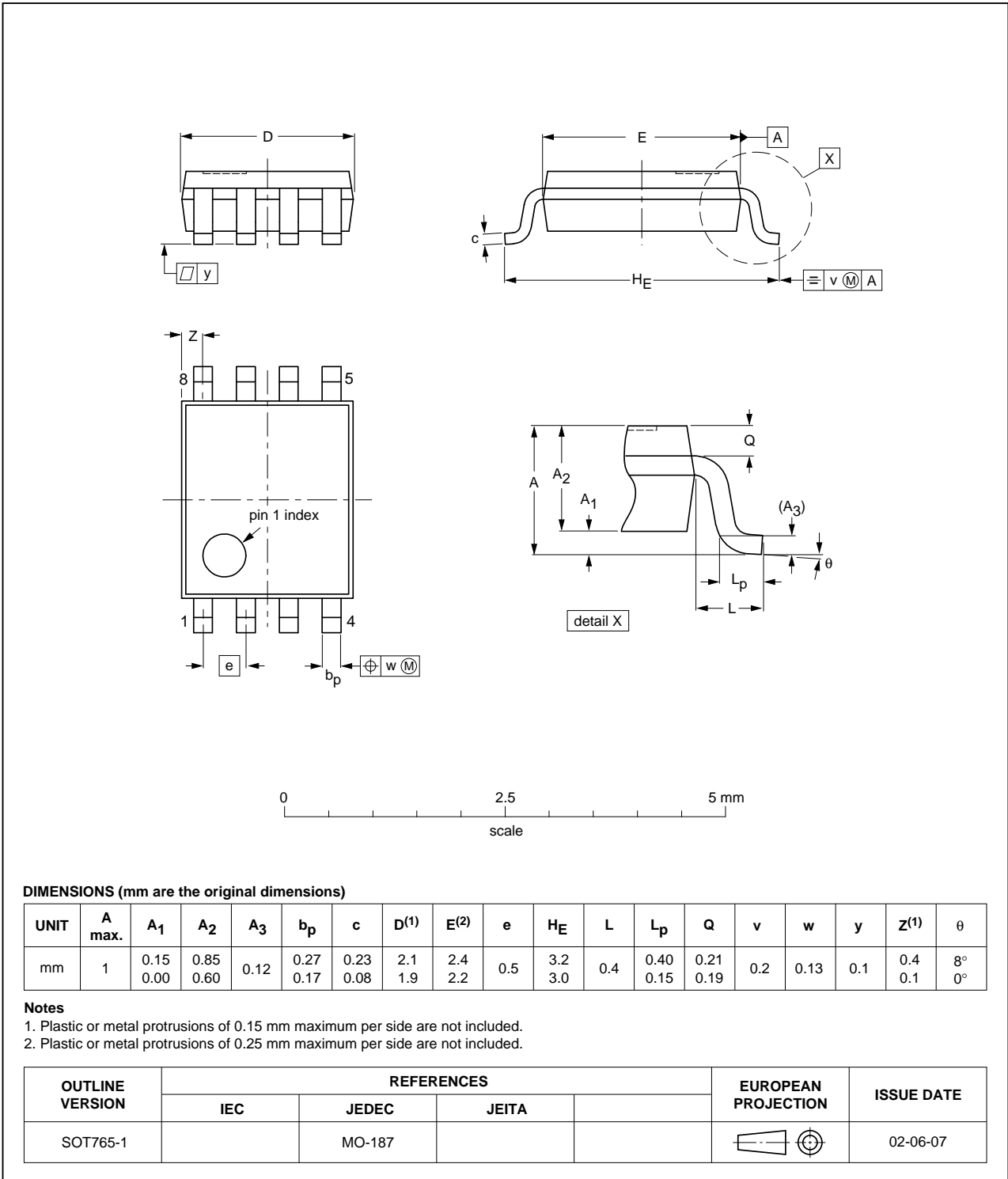


Fig 21. Package outline SOT765-1 (VSSOP8)

XSON8: plastic extremely thin small outline package; no leads; 8 terminals; body 1 x 1.95 x 0.5 mm

SOT833-1

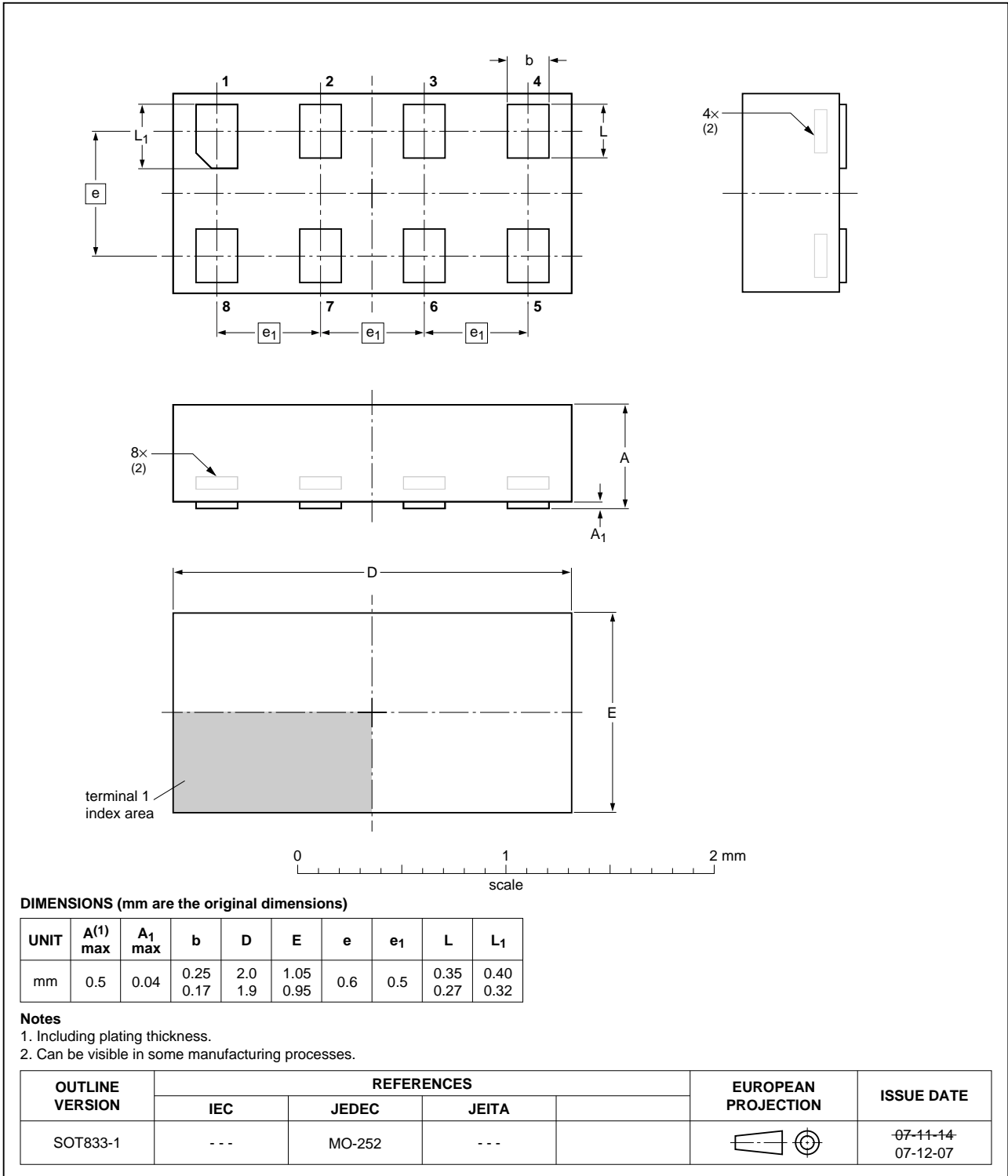


Fig 22. Package outline SOT833-1 (XSON8)

XSON8: plastic extremely thin small outline package; no leads;
8 terminals; body 3 x 2 x 0.5 mm

SOT996-2

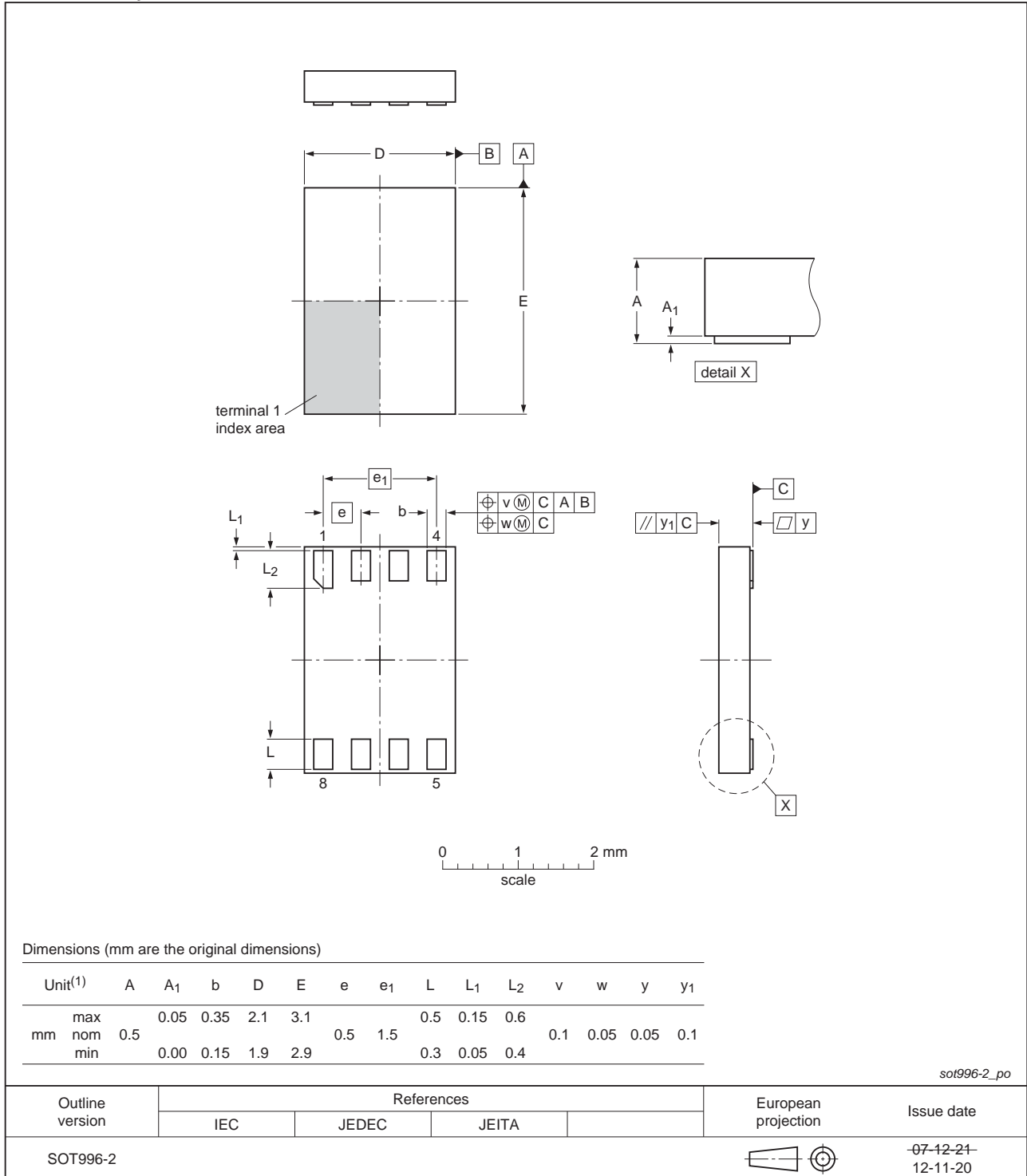


Fig 23. Package outline SOT996-2 (XSON8)

13. Abbreviations

Table 13. Abbreviations

| Acronym | Description |
|---------|---|
| CMOS | Complementary Metal-Oxide Semiconductor |
| ESD | ElectroStatic Discharge |
| HBM | Human Body Model |
| MM | Machine Model |
| DUT | Device Under Test |

14. Revision history

Table 14. Revision history

| Document ID | Release date | Data sheet status | Change notice | Supersedes |
|-------------------|--|-----------------------|---------------|------------------|
| 74HC_HCT2G66 v.10 | 20131003 | Product data sheet | - | 74HC_HCT2G66 v.9 |
| Modifications: | <ul style="list-style-type: none"> For type numbers 74HC2G66GD and 74HCT2G66GD XSON8U has changed to XSON8. | | | |
| 74HC_HCT2G66 v.9 | 20111213 | Product data sheet | - | 74HC_HCT2G66 v.8 |
| 74HC_HCT2G66 v.8 | 20100923 | Product data sheet | - | 74HC_HCT2G66 v.7 |
| 74HC_HCT2G66 v.7 | 20100914 | Product data sheet | - | 74HC_HCT2G66 v.6 |
| 74HC_HCT2G66 v.6 | 20100402 | Product data sheet | - | 74HC_HCT2G66 v.5 |
| 74HC_HCT2G66 v.5 | 20090126 | Product data sheet | - | 74HC_HCT2G66 v.4 |
| 74HC_HCT2G66 v.4 | 20040519 | Product specification | - | 74HC_HCT2G66 v.3 |
| 74HC_HCT2G66 v.3 | 20031126 | Product specification | - | 74HC_HCT2G66 v.2 |
| 74HC_HCT2G66 v.2 | 20030808 | Product specification | - | 74HC_HCT2G66 v.1 |
| 74HC_HCT2G66 v.1 | 20030625 | Product specification | - | - |

15. Legal information

15.1 Data sheet status

| Document status ^{[1][2]} | Product status ^[3] | Definition |
|-----------------------------------|-------------------------------|---|
| Objective [short] data sheet | Development | This document contains data from the objective specification for product development. |
| Preliminary [short] data sheet | Qualification | This document contains data from the preliminary specification. |
| Product [short] data sheet | Production | This document contains the product specification. |

[1] Please consult the most recently issued document before initiating or completing a design.

[2] The term 'short data sheet' is explained in section "Definitions".

[3] The product status of device(s) described in this document may have changed since this document was published and may differ in case of multiple devices. The latest product status information is available on the Internet at URL <http://www.nxp.com>.

15.2 Definitions

Draft — The document is a draft version only. The content is still under internal review and subject to formal approval, which may result in modifications or additions. NXP Semiconductors does not give any representations or warranties as to the accuracy or completeness of information included herein and shall have no liability for the consequences of use of such information.

Short data sheet — A short data sheet is an extract from a full data sheet with the same product type number(s) and title. A short data sheet is intended for quick reference only and should not be relied upon to contain detailed and full information. For detailed and full information see the relevant full data sheet, which is available on request via the local NXP Semiconductors sales office. In case of any inconsistency or conflict with the short data sheet, the full data sheet shall prevail.

Product specification — The information and data provided in a Product data sheet shall define the specification of the product as agreed between NXP Semiconductors and its customer, unless NXP Semiconductors and customer have explicitly agreed otherwise in writing. In no event however, shall an agreement be valid in which the NXP Semiconductors product is deemed to offer functions and qualities beyond those described in the Product data sheet.

15.3 Disclaimers

Limited warranty and liability — Information in this document is believed to be accurate and reliable. However, NXP Semiconductors does not give any representations or warranties, expressed or implied, as to the accuracy or completeness of such information and shall have no liability for the consequences of use of such information. NXP Semiconductors takes no responsibility for the content in this document if provided by an information source outside of NXP Semiconductors.

In no event shall NXP Semiconductors be liable for any indirect, incidental, punitive, special or consequential damages (including - without limitation - lost profits, lost savings, business interruption, costs related to the removal or replacement of any products or rework charges) whether or not such damages are based on tort (including negligence), warranty, breach of contract or any other legal theory.

Notwithstanding any damages that customer might incur for any reason whatsoever, NXP Semiconductors' aggregate and cumulative liability towards customer for the products described herein shall be limited in accordance with the *Terms and conditions of commercial sale* of NXP Semiconductors.

Right to make changes — NXP Semiconductors reserves the right to make changes to information published in this document, including without limitation specifications and product descriptions, at any time and without notice. This document supersedes and replaces all information supplied prior to the publication hereof.

Suitability for use — NXP Semiconductors products are not designed, authorized or warranted to be suitable for use in life support, life-critical or safety-critical systems or equipment, nor in applications where failure or malfunction of an NXP Semiconductors product can reasonably be expected to result in personal injury, death or severe property or environmental damage. NXP Semiconductors and its suppliers accept no liability for inclusion and/or use of NXP Semiconductors products in such equipment or applications and therefore such inclusion and/or use is at the customer's own risk.

Applications — Applications that are described herein for any of these products are for illustrative purposes only. NXP Semiconductors makes no representation or warranty that such applications will be suitable for the specified use without further testing or modification.

Customers are responsible for the design and operation of their applications and products using NXP Semiconductors products, and NXP Semiconductors accepts no liability for any assistance with applications or customer product design. It is customer's sole responsibility to determine whether the NXP Semiconductors product is suitable and fit for the customer's applications and products planned, as well as for the planned application and use of customer's third party customer(s). Customers should provide appropriate design and operating safeguards to minimize the risks associated with their applications and products.

NXP Semiconductors does not accept any liability related to any default, damage, costs or problem which is based on any weakness or default in the customer's applications or products, or the application or use by customer's third party customer(s). Customer is responsible for doing all necessary testing for the customer's applications and products using NXP Semiconductors products in order to avoid a default of the applications and the products or of the application or use by customer's third party customer(s). NXP does not accept any liability in this respect.

Limiting values — Stress above one or more limiting values (as defined in the Absolute Maximum Ratings System of IEC 60134) will cause permanent damage to the device. Limiting values are stress ratings only and (proper) operation of the device at these or any other conditions above those given in the Recommended operating conditions section (if present) or the Characteristics sections of this document is not warranted. Constant or repeated exposure to limiting values will permanently and irreversibly affect the quality and reliability of the device.

Terms and conditions of commercial sale — NXP Semiconductors products are sold subject to the general terms and conditions of commercial sale, as published at <http://www.nxp.com/profile/terms>, unless otherwise agreed in a valid written individual agreement. In case an individual agreement is concluded only the terms and conditions of the respective agreement shall apply. NXP Semiconductors hereby expressly objects to applying the customer's general terms and conditions with regard to the purchase of NXP Semiconductors products by customer.

No offer to sell or license — Nothing in this document may be interpreted or construed as an offer to sell products that is open for acceptance or the grant, conveyance or implication of any license under any copyrights, patents or other industrial or intellectual property rights.

Export control — This document as well as the item(s) described herein may be subject to export control regulations. Export might require a prior authorization from competent authorities.

Non-automotive qualified products — Unless this data sheet expressly states that this specific NXP Semiconductors product is automotive qualified, the product is not suitable for automotive use. It is neither qualified nor tested in accordance with automotive testing or application requirements. NXP Semiconductors accepts no liability for inclusion and/or use of non-automotive qualified products in automotive equipment or applications.

In the event that customer uses the product for design-in and use in automotive applications to automotive specifications and standards, customer (a) shall use the product without NXP Semiconductors' warranty of the product for such automotive applications, use and specifications, and (b) whenever customer uses the product for automotive applications beyond

NXP Semiconductors' specifications such use shall be solely at customer's own risk, and (c) customer fully indemnifies NXP Semiconductors for any liability, damages or failed product claims resulting from customer design and use of the product for automotive applications beyond NXP Semiconductors' standard warranty and NXP Semiconductors' product specifications.

Translations — A non-English (translated) version of a document is for reference only. The English version shall prevail in case of any discrepancy between the translated and English versions.

15.4 Trademarks

Notice: All referenced brands, product names, service names and trademarks are the property of their respective owners.

16. Contact information

For more information, please visit: <http://www.nxp.com>

For sales office addresses, please send an email to: salesaddresses@nxp.com

17. Contents

| | | |
|-----------|---|-----------|
| 1 | General description | 1 |
| 2 | Features and benefits | 1 |
| 3 | Ordering information | 1 |
| 4 | Marking | 2 |
| 5 | Functional diagram | 2 |
| 6 | Pinning information | 3 |
| 6.1 | Pinning | 3 |
| 6.2 | Pin description | 3 |
| 7 | Functional description | 4 |
| 8 | Limiting values | 4 |
| 9 | Recommended operating conditions | 5 |
| 10 | Static characteristics | 5 |
| 10.1 | Test circuits | 6 |
| 10.2 | ON resistance | 7 |
| 10.3 | ON resistance test circuit and graphs | 8 |
| 11 | Dynamic characteristics | 8 |
| 11.1 | Waveforms and test circuit | 9 |
| 11.2 | Additional dynamic characteristics | 11 |
| 11.3 | Test circuits and graphs | 12 |
| 12 | Package outline | 16 |
| 13 | Abbreviations | 20 |
| 14 | Revision history | 20 |
| 15 | Legal information | 21 |
| 15.1 | Data sheet status | 21 |
| 15.2 | Definitions | 21 |
| 15.3 | Disclaimers | 21 |
| 15.4 | Trademarks | 22 |
| 16 | Contact information | 22 |
| 17 | Contents | 23 |

Please be aware that important notices concerning this document and the product(s) described herein, have been included in section 'Legal information'.

© NXP B.V. 2013.

All rights reserved.

For more information, please visit: <http://www.nxp.com>

For sales office addresses, please send an email to: salesaddresses@nxp.com

Date of release: 3 October 2013

Document identifier: 74HC_HCT2G66