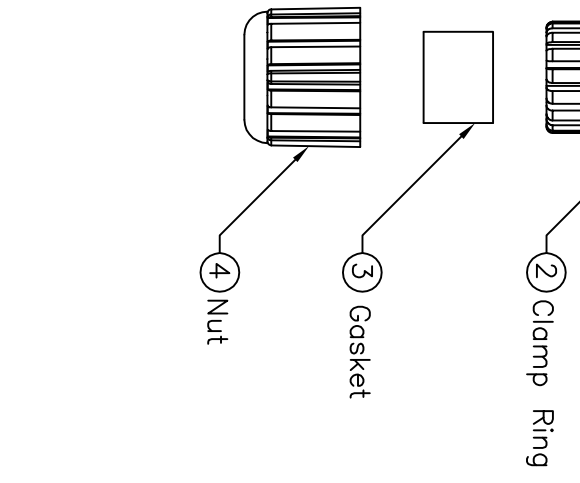
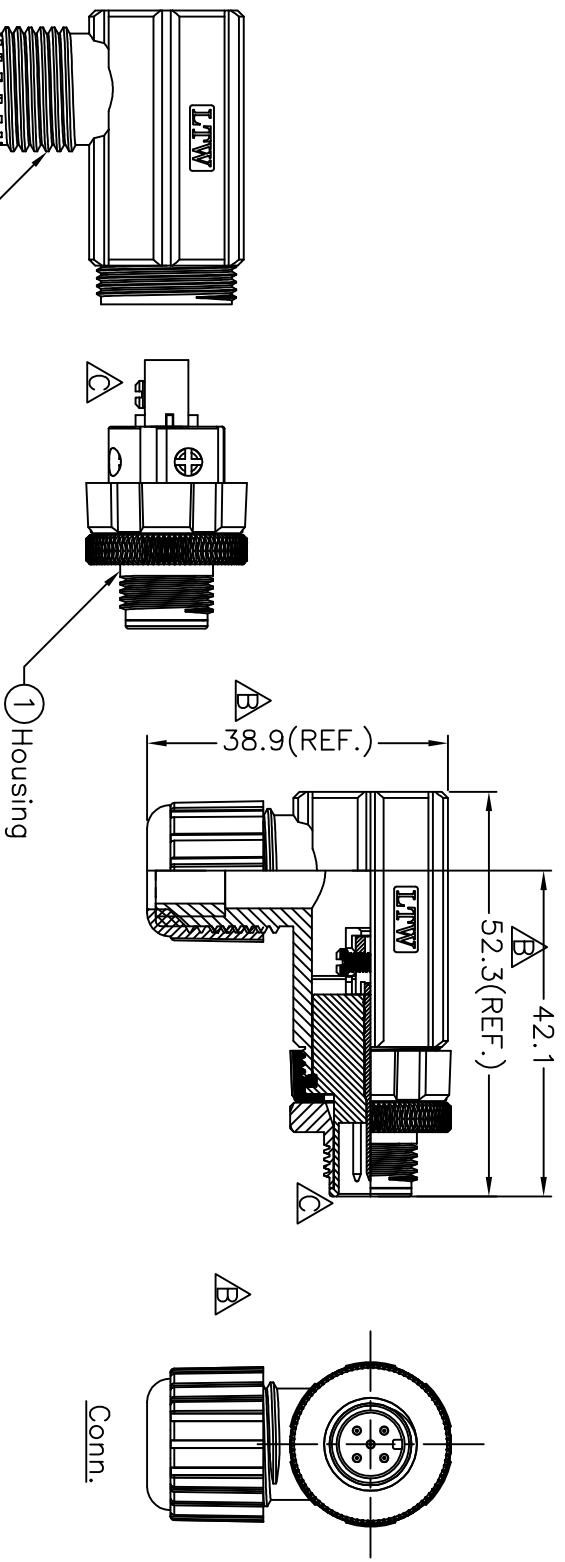
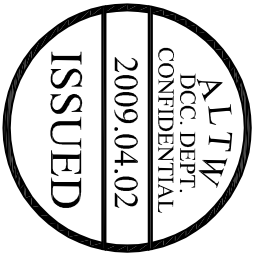
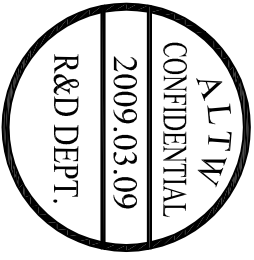
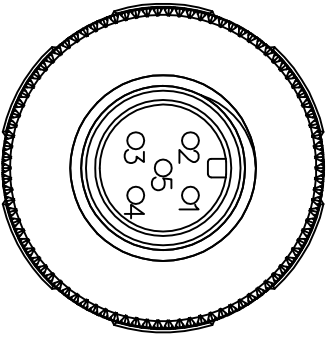


REV.	EGN. NO.	DATE	SIGN	DESCRIPTION
B	LE3-6C0091	2006/11/22	Cloud	Modify the Note and dimension.
C	LEN-940017	2009/03/09	Prune	Change The View



- Note:**
- * Waterproof Rate : IP67
 - * Connector:Black,Nylon+GF
 - * Male Pin:Copper Alloy,Gold Plated
 - * O-Ring:Black,EPDM.
 - * Holder:Black,Nylon+GF
 - * Insulator:Black,PVC
 - * Clamp Ring:Black,Nylon 66.
 - * Gasket:Black,EPDM.
 - * Sealing Nut:Black,Nylon 66.
 - * Screw Nut:Copper Alloy,Nickel Plated
 - * Seals For Cable OD $\phi 4.5\text{mm} \sim \phi 6.0\text{mm}$
 - * Temperature Range: $-40^{\circ}\text{C} \sim +85^{\circ}\text{C}$.



Pin Assignments
Front View

UNIT:mm		TITLE	M12	Ass'y Screw 5P M Conn M Pin	SCALE	Free	SHEET	1	OF	1	REV.	C	SIZE	A4	Inspection Item
TOLERANCE		Amphenol LTW 安費諾亮泰企業股份有限公司													
.X	± 0.25	ITEM NO	12-05BMB-SR7001	DRAWN BY	Prune	DATE	2009/03/09								
.XX	± 0.1	DWG NO	12-05BMB-SR7001	CHECKED BY	Zhao Rong Fu	DATE	2009/03/10								
.XXX	± 0.05	CUSTOMER	ALTW	APPROVED BY	Luke	DATE	2009/03/26								
ANGLES	$\pm 1^{\circ}$	THIS DOCUMENT IS SUBJECT TO CHANGE WITHOUT NOTICE. IT IS CONFIDENTIAL AND A PROPERTY OF Amphenol LTW. DISCLOSURE TO THIRD PARTY HAS TO BE AUTHORIZED BY Amphenol LTW.													