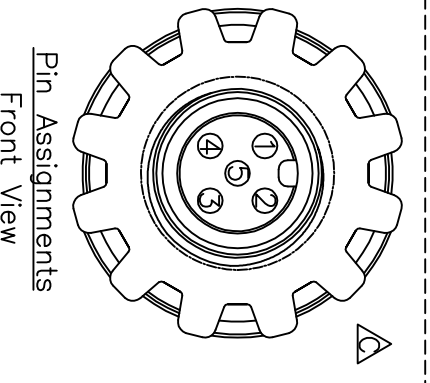
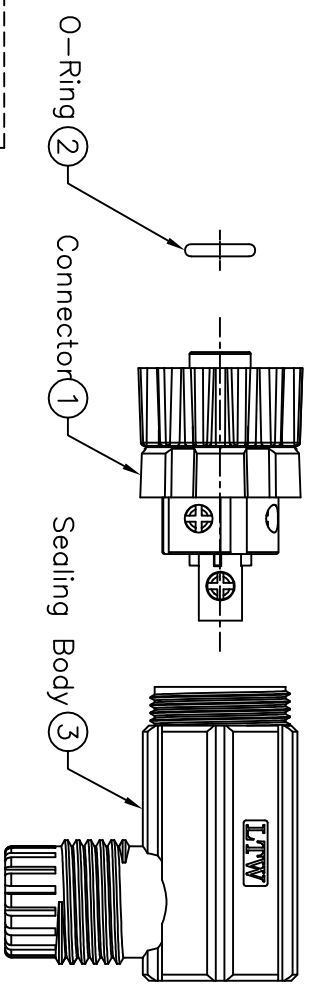
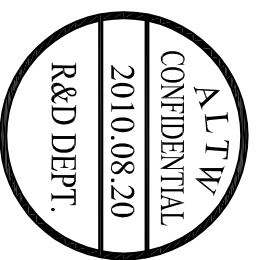
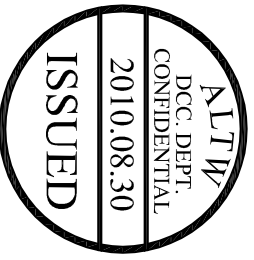
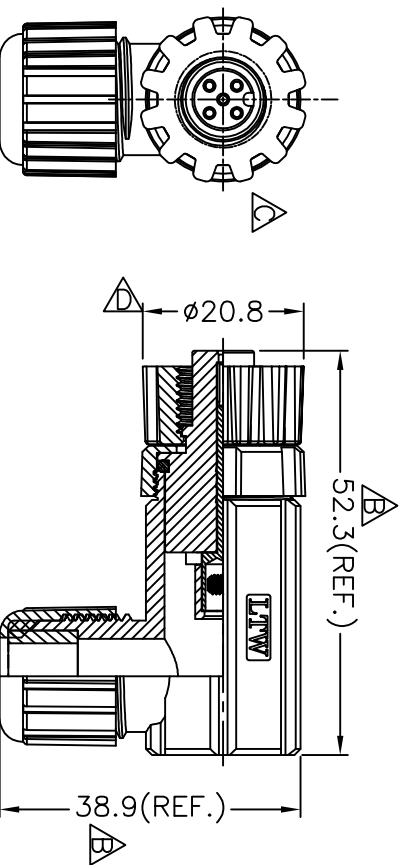


REV.	EGN NO.	DATE	SIGN	DESCRIPTION
B	1E3-6C0079	2006/11/22	Cloud	Modify the Note and dimension.
C	1E3-890073	2008/08/14	Li Xiu Zhi	Change Connector Material.
D	1EN-080254	2010/08/20	Zhang Xing	Change Dimension.



- Note:**
- * Waterproof Rate : IP67
 - * Connector: PPO V0150,Black
 - * Pin: Copper Alloy,Gold Plated
 - * O-Ring 1: Viton,Green
 - * O-Ring 2: EPDM,Black
 - * Holder: Nylon+GF,Black
 - * Insulator: PVC,Black
 - * Clamp Ring: Nylon 66,Black
 - * Gasket: EPDM,Black.
 - * Sealing Nut: Nylon 66,Black
 - * Nut: Nylon 66,Black
 - * Seals For Cable OD $\phi 4.5\text{mm} \sim \phi 6.0\text{mm}$
 - * Temperature Range: $-40^{\circ}\text{C} \sim +85^{\circ}\text{C}$

UNIT:mm		TITLE	M12 Screw In Female Conn
TOLERANCE		SCALE	Free
.X		SIZE	A4
.XX		SHEET	1 OF 1
.XXX		REV.	D
ANGLES		INSPECTION	Item

Amphenol LTW

安費諾亮泰企業股份有限公司

ITEM NO	DWG NO	CUSTOMER	DRAWN BY	CHECKED BY	DATE
12P-05BFFB-SR7001	12P-05BFFB-SR7001	ALTW	Zhang Xing	Tian	2010/08/20
			Can		2010/08/20