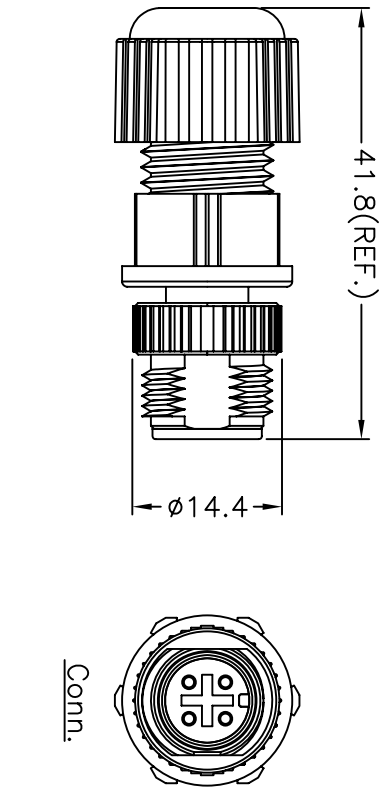
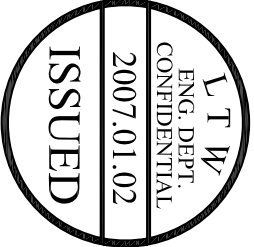
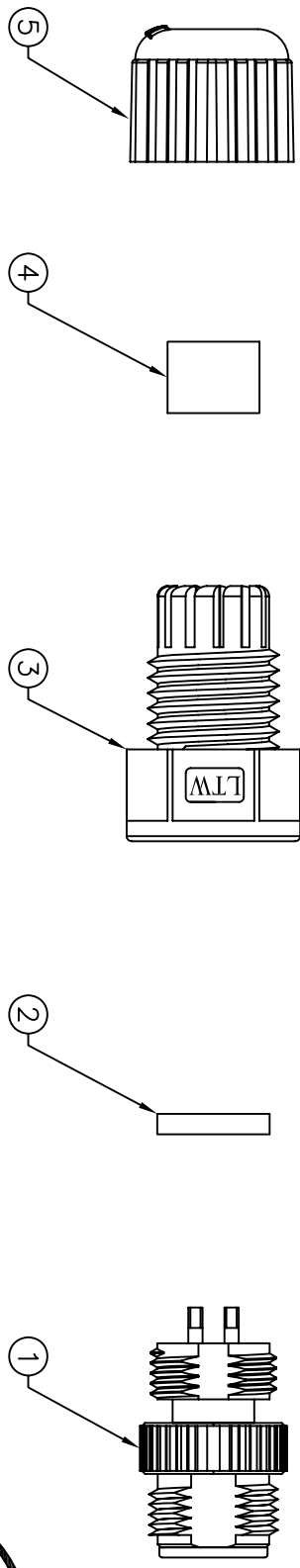
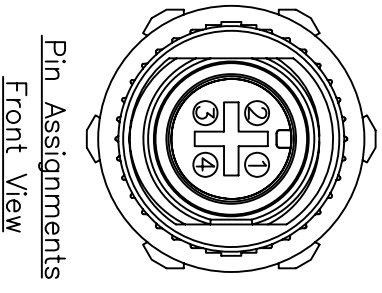


| REV. | EON NO. | DATE | SIGN | DESCRIPTION |
|------|---------|------|------|-------------|
| | | | | |
| | | | | |



- Note:
- * @Important Dimension To Check.
 - * Waterproof Rate: IP68
 - * Housing: Black, Nylon+GF
 - * Pin: Copper Alloy, Gold Plated
 - * Nut: Zinc Alloy, Nickel Plated
 - * Gasket: Black, EPDM
 - * Clamp Ring: Black, Nylon
 - * Sealing Nut: Black, Nylon
 - * Seal: Black, EPDM
 - * Seal For Cable OD: ϕ 4.5mm~ ϕ 6.5mm



Pin Assignments
Front View

UNIT:mm
TOLERANCE
 ± 0.5 mm

TITLE
Assy Screw 4Pin M Conn M Pin

SCALE
Free

REV. A

SIZE A4

SHEET 1 OF 1

QC: Inspection Item

M12 Conn
4Pin M Conn M Pin

LTW
亮泰企業股份有限公司

| | | |
|--------------------------------|-----------------------------|--------------------|
| ITEM NO LTW12-04BMMA-SL8001 | DRAWN BY Jason Manas | DATE 2006/12/21 |
| DWG NO LTW12-04BMMA-SL8001 | CHECKED BY Aion MJ Sundo | DATE 2006/12/21 |
| CUSTOMER | APPROVED BY Max Hung | DATE 2006/12/21 |