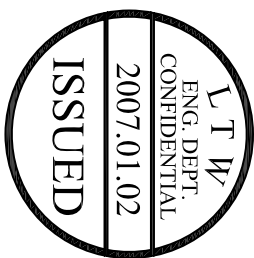
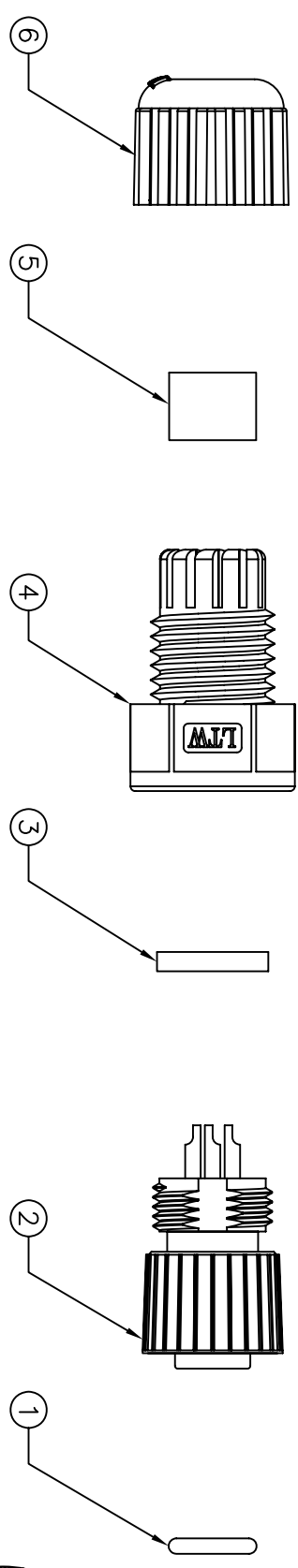
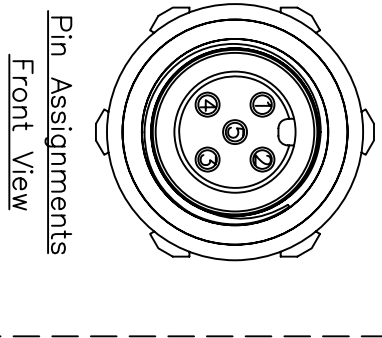
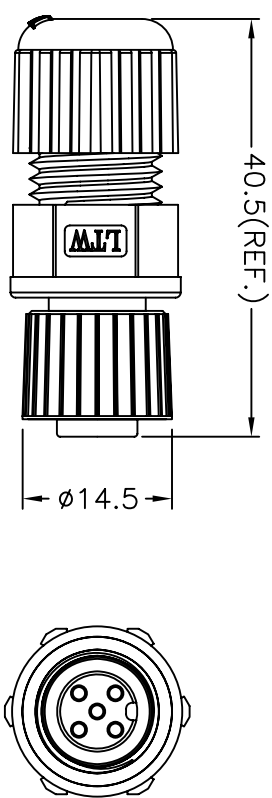


REV.	EON NO.	DATE	SIGN	DESCRIPTION



Note:

- * @D Important Dimension To Check.
- * Waterproof Rate: IP68
- * Housing: Black, Nylon+GF
- * Pin: Copper Alloy, Gold Plated
- * Nut: Zinc Alloy, Nickel Plated
- * Ring: Green, Viton
- * Gasket: Black, EPDM
- * Clamp Ring: Black, Nylon
- * Sealing Nut: Black, Nylon
- * Seal: Black, EPDM
- * Seal For Cable OD: ϕ 4.5mm~ ϕ 6.5mm



Pin Assignments
Front View

TITLE	M12 Conn, Assy Screw 5Pin F Conn. F Pin	SCALE	Free	SHEET	1 OF 1
UNIT:mm		REV.	A	SIZE	A4
TOLERANCE	\pm 0.5 mm	@D: Inspection Item			
LTW					
亮泰企業股份有限公司					
ITEM NO	LTW12-05BFFA-SL8001	DRAWN BY	Patrick Ian Magat	DATE	2006/12/21
DWG NO	LTW12-05BFFA-SL8001	CHECKED BY	Aián MJ Sundo	DATE	2006/12/22
CUSTOMER		APPROVED BY	Max Hung	DATE	2006/12/22