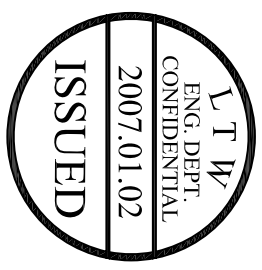
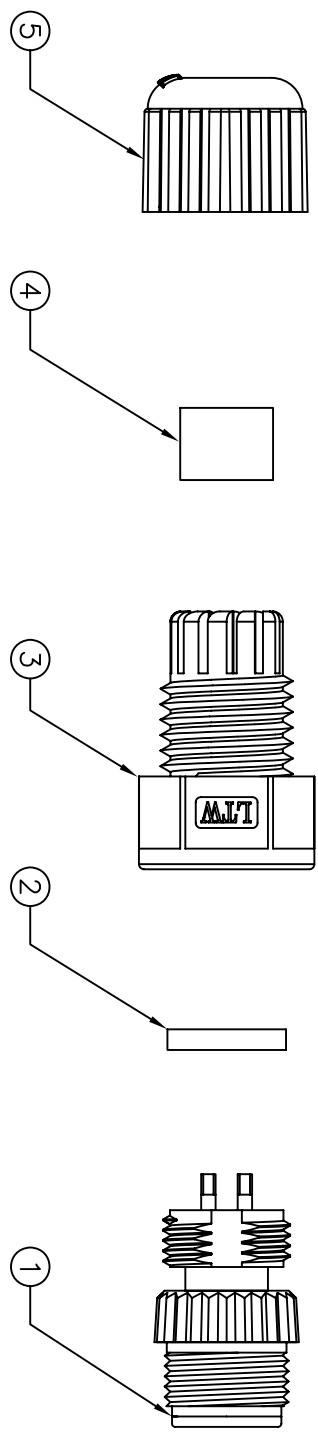
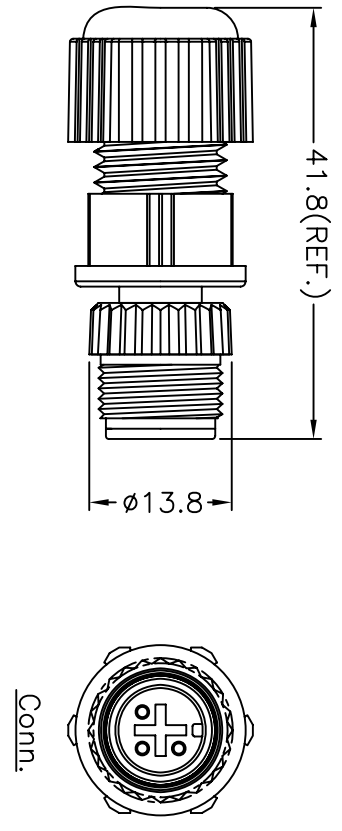


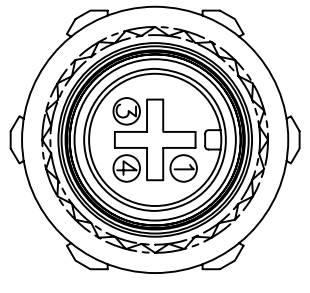
REV.	ECON. NO.	DATE	SIGN	DESCRIPTION



- Note:
- * @ Important Dimension To Check.
 - * Waterproof Rate: IP68
 - * Housing: Black, Nylon+GF
 - * Pin: Copper Alloy, Gold Plated
 - * Nut: Black, Nylon+GF
 - * Gasket: Black, EPDM
 - * Clamp Ring: Black, Nylon
 - * Sealing Nut: Black, Nylon
 - * Seal: Black, EPDM
 - * Seal For Cable OD: $\phi 4.5\text{mm} \sim \phi 6.5\text{mm}$



Pin Assignments
Front View



UNIT:mm		TITLE		ITEM NO		DRAWN BY		DATE	
TOLERANCE		Assy Screw 3Pin M Conn M Pin		LTW12P-03BMMA-SL8001		Jason Manas		2006/12/21	
$\pm 0.5 \text{ mm}$		SCALE		DWG. NO		CHECKED BY		DATE	
1		Free		LTW12P-03BMMA-SL8001		Alan MJ Sundo		2006/12/21	
2		SIZE		CUSTOMER		APPROVED BY		DATE	
3		A4		亮泰企業股份有限公司		Max Hung		2006/12/21	
4		SHEET							
5		1 OF 1							
6		: Inspection Item							
7									
8									