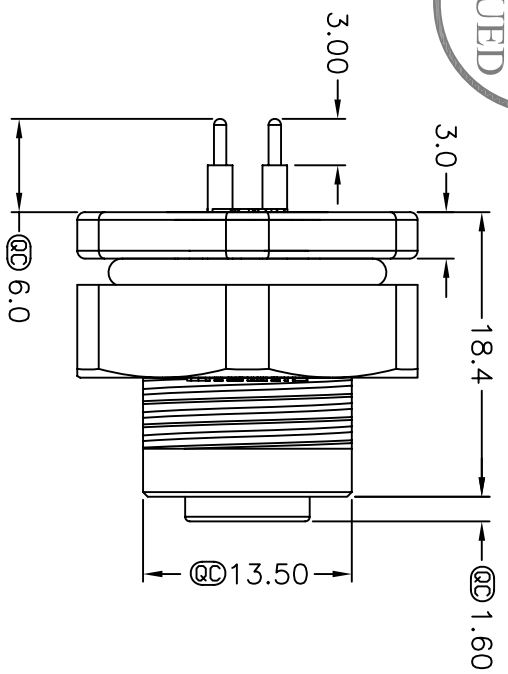
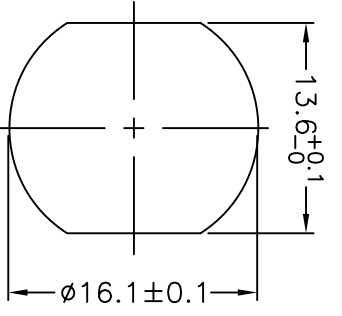
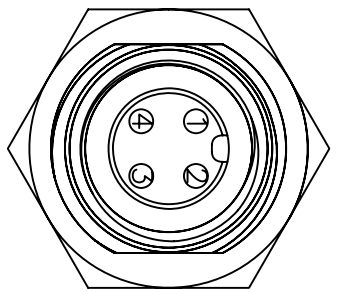
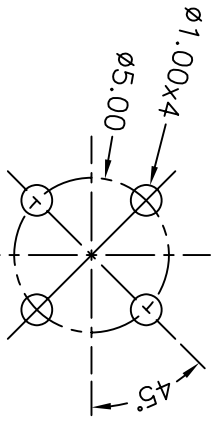
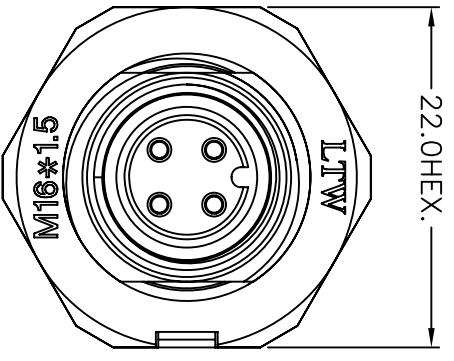
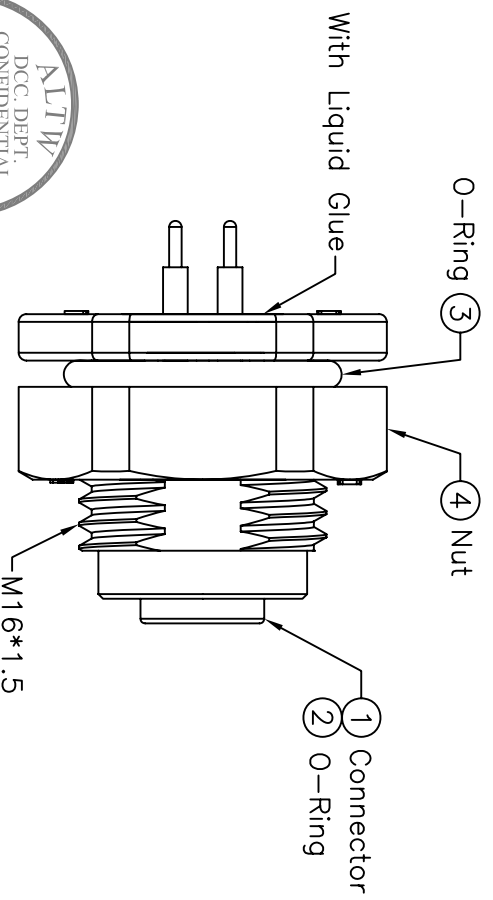
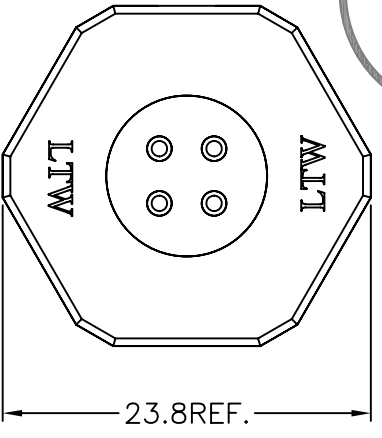
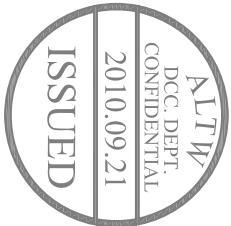


REV. A	ECN NO.	DATE	SIGN	DESCRIPTION
Initial Release		2010/09/14	Rev	Change Rev.01 To Rev.A



Pin Assignment
Front View

- Note:
- * @Dimension Dimension To Check.
 - * Waterproof Rate: IP68 (水深1米, 24hrs)
 - * Connector: Nylon+GF, 94V-0, Black
 - * Female Pin: Copper Alloy, Gold Plated
 - * Shield: Nylon+GF, 94V-0, Black
 - * Nut: Nylon+GF, 94V-0, Black
 - * O-Ring(Inner): Silicone, Gray, 94V-0
 - * O-Ring(Outer): Silicone, Gray, 94V-0
 - * For Panel Thickness Max 4.0mm

UNIT:mm	SCALE	TITLE	ITEM NO	DRAWN BY	DATE
TOLERANCE .X ±0.25 .XX ±0.1 .XXX ±0.05 ANGLES ±1°	Free	M12 CONN,PCB PANEL SCREW 4PIN F CONN F PIN	LTW12P-04PFFFP-SF8001	Rev	2010/09/17
REV. A	SIZE A4	SHEET 1 OF 1	DWG NO LTW12P-04PFFFP-SF8001	CHECKED BY Winnie	DATE 2010/09/17
		@ Inspection Item	CUSTOMER	APPROVED BY Kevin	DATE 2010/09/17
<h1>Amphenol LTW</h1> <p>安費諾亮泰企業股份有限公司</p>					