

NOTES :

1. MATERIAL :
INSULATOR : HIGH TEMPERATURE THERMOPLASTIC , UL94V-0.
COLOR : BLACK
CONTACT : PHOSPHOR BRONZE.
2. APPLICATION : SD&HS SD&SDHC&MMC & MS&MS PRO&MagicGate MS&MS-ROM&MS I/O Expansion (It can protect the damage of MSDuo)
3. PLATING : CONTACT AREA :GOLD FLASH,10u" PLATED OVER Ni
SOLDER AREA : Tin PLATED OVER Ni

107R-A X 0 0-R
1 2 3

1.Type

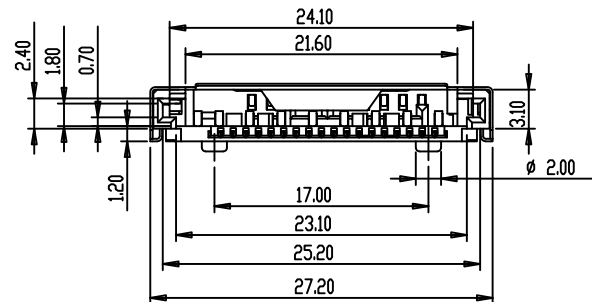
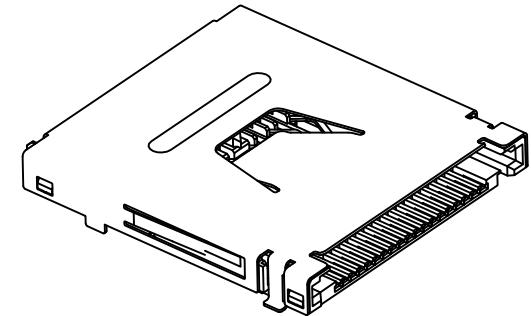
A:SD/MMC/MS

2.Contact Plating

A:Gold Flash

D:10u" Gold Plating

3.RoHS



UNLESS OTHERWISE SPECIFIED TOLERANCE		
ANGLES	ANG.	±5°
LINEAR	0.	±0.3
	0.0	±0.25
	0.00	±0.20
SCALE	AS SHOWN	UNIT: mm
DRAWN	Willis	2012/08/03
CHECKED	Angel	2012/08/03
APPROVED	Ken	2012/08/03



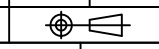
www.attend.com.tw

DRAWN NAME:
Multi Card Socket
SD/MMC/MS

PRODUCT NO. 107R-AX00-R

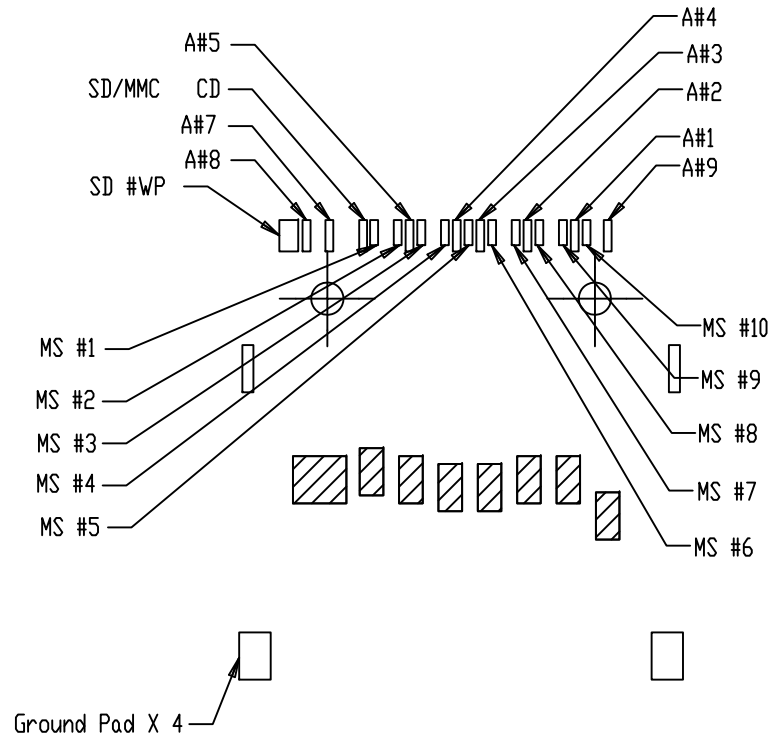
FILE NAME 107R-AX00-R_B_1

REV.	DESCRIPTION	DATE	REV.	DESCRIPTION	DATE
1			2		
3			4		
5			6		
7			8		
9			10		



SIZE A4

REV. 1.0



PIN ASSIGNMENT:

PIN NO.	MEMORY CARD PIN NO.
A#1	SD/MMC-1 (DAT3)
A#2	SD/MMC-2 (CMD)
A#3	SD/MMC-3 (GND)
A#4	SD/MMC-4 (VCC)
A#5	SD/MMC-5 (CLK)
A#7	SD/MMC-7 (DAT0)
A#8	SD-8 (DAT1)
A#9	SD-9 (DAT2)
MS#1	VSS
MS#2	BS
MS#3	DAT1
MS#4	SDIO/DATA0
MS#5	DATA2
MS#6	INS
MS#7	DATA3
MS#8	SCLK
MS#9	VCC
MS#10	VSS

(SD/MMC : SD&HS SD&SDHC&MMC CARD)

(MS : MS&MS PRO&MagicGate MS&MS-ROM&MS I/O Expansion CARD)

UNLESS OTHERWISE SPECIFIED TOLERANCE		
ANGLES	ANG.	±5°
LINEAR		±0.3
		±0.25
		±0.20
SCALE	AS SHOWN	UNIT: mm
DRAWN	Willis	2012/08/03
CHECKED	Angel	2012/08/03
APPROVED	Ken	2012/08/03

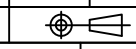


www.attend.com.tw

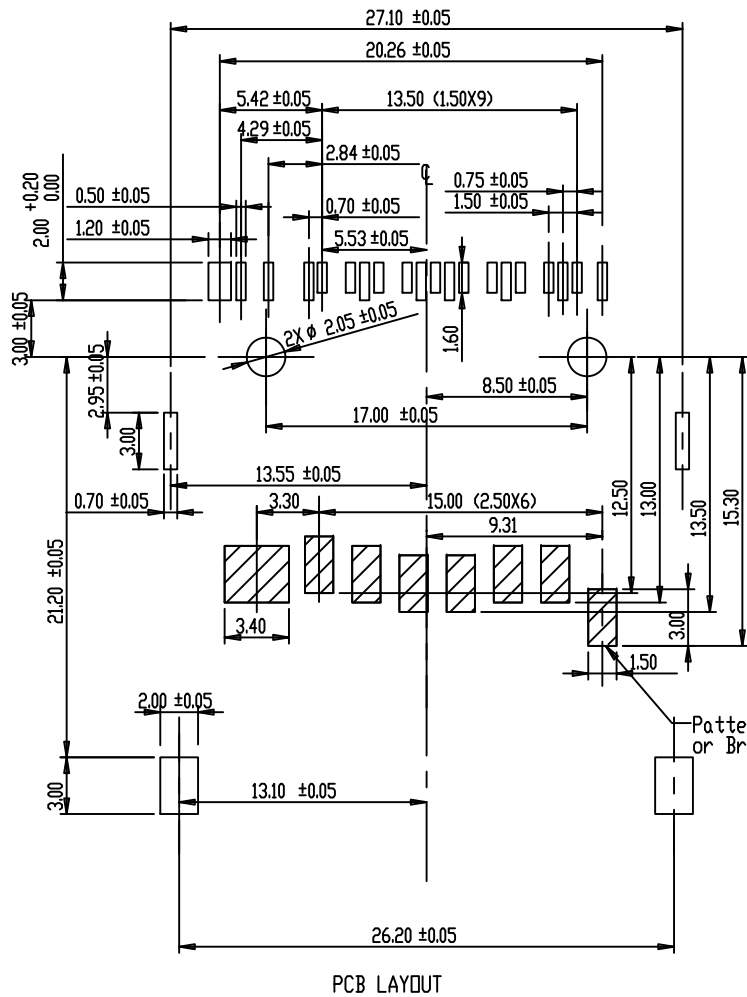
DRAWN NAME:	
Multi Card Socket SD/MMC/MS	
PRODUCT NO.	107R-AX00-R
FILE NAME	107R-AX00-R_B_1

REV.	DESCRIPTION	DATE	REV.	DESCRIPTION	DATE
1			4		
2			5		
3			6		

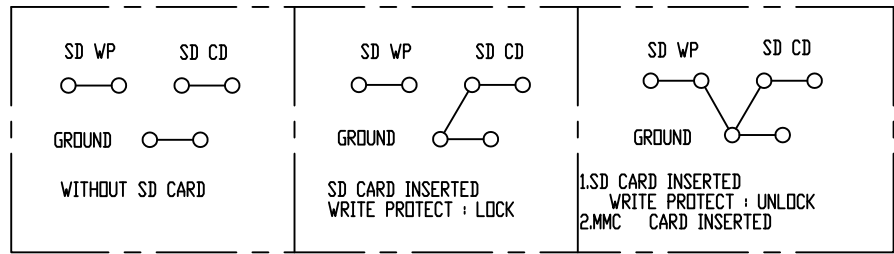
Revise:
Revise:
Revise:



SIZE A4 REV. 1.0



SD CIRCUIT :



PCB LAYOUT

						UNLESS OTHERWISE SPECIFIED TOLERANCE			 www.attend.com.tw	
						ANGLES	ANG.	±5°		
						LINEAR	0.	±0.3		
							0.0	±0.25		
						0.00	±0.20			
						SCALE	AS SHOWN	UNIT: mm		
						DRAWN	Willis	2012/08/03	DRAWN NAME:	
						CHECKED	Angel	2012/08/03	Multi Card Socket SD/MMC/MS	
						APPROVED	Ken	2012/08/03	PRODUCT NO.	107R-AX00-R
REV.	DESCRIPTION			DATE	REV.	DESCRIPTION			DATE	 SIZE A4 REV. 1.0 FILE NAME 107R-AX00-R_B_1
1					2					9
2					3					10

△ Revise:

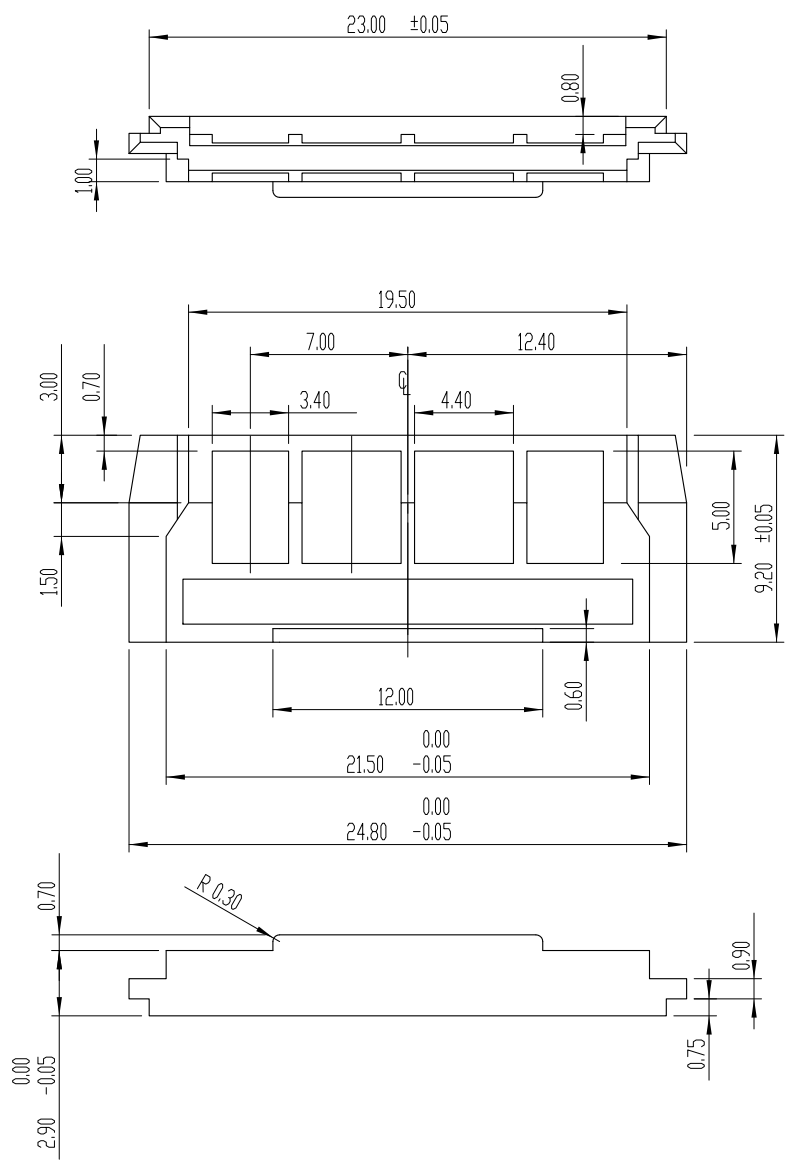
△ Revise:

△ Revise:

△

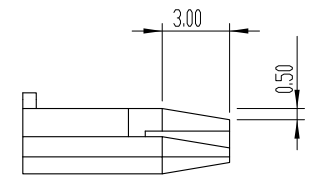
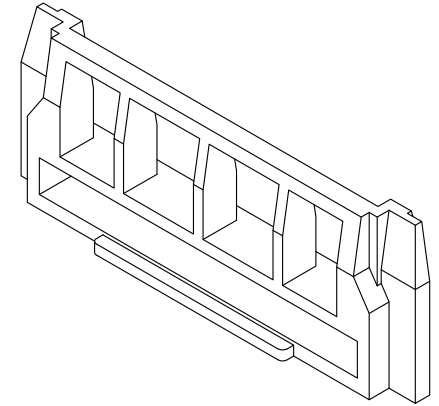
△

△



NOTES:

1.MATERIAL: PA9T, UL94V-0,BLACK



REV.	DESCRIPTION	DATE	REV.	DESCRIPTION	DATE	SIZE	REV.	FILE NAME
1			4			A4	1.0	107R-XX00-R_B_2
2			5					
3			6					
4			7					
5			8					
6			9					
7			10					

UNLESS OTHERWISE SPECIFIED TOLERANCE			www.attend.com.tw	
ANGLES	ANG.	±5°	DRAWN NAME: Multi Card Socket Fill	
LINEAR	0.	±0.3		
	0.0	±0.25		
0.00	±0.20			
SCALE	AS SHOWN	UNIT: mm	PRODUCT NO.	107R-XX00-R
DRAWN	Willis	2012/08/03	FILE NAME	107R-XX00-R_B_2
CHECKED	Angel	2012/08/03		
APPROVED	Ken	2012/08/03		



⚠ Revise: ⚠ Revise: ⚠ Revise: