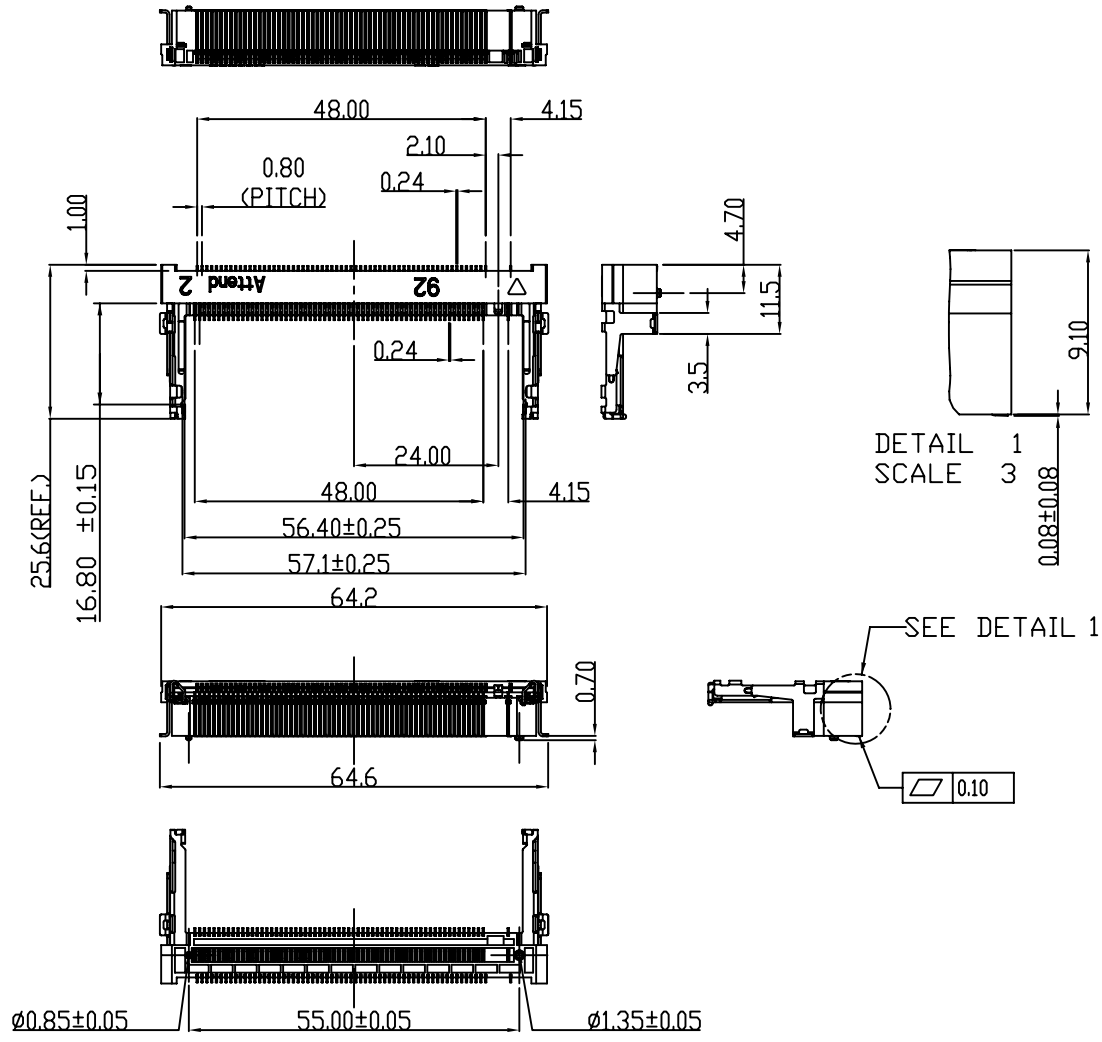


PRODUCT NO.	ITEM	PART NAME	Q'TY	MATERIAL	PLATING
114B-92B00-R02	1	BODY	1	LCP	
	3	CONTACT	124	PHOSPHOR BRONZE	GOLD 3u'
	4	LATCH	2	STAINLESS	



Plastic Body : LCP, Color Black.
 Contact: Phosphor Bronze Alloy (C5191R-H)
 Contact area: Gold 3 micro inches
 Solder area: Matte Tin
 All under-plated Ductile Nickel 50 micro inches (Min.)
 Latch :SUS304R-1/2H, Matte Tin Plated
 Contact Resistance: 30 mΩ (Max)
 Insulation Resistance: 500 MΩ (Max.)
 Dielectric Withstanding Voltage:
 Mate connectors; apply 250V AC at 60 Hz(rms.)
 Contact Normal Force: 50 gf per pin (Min.)
 soldering heat: 260°C
 Rating Voltage: 25V AC
 Rating Current: 0.3A(Max.)/(1PIN)
 Operating Temperature: -40°C to +90°C
 Storage Temperature: -40°C to +90°C

114B-92 B 0 0-R02
 1 2 3 4

- Stand off
s/o:9.2mm
- Contact Plating
B:3u' Gold Plating
- Color
0:Black
- RoHS

UNLESS OTHERWISE SPECIFIED TOLERANCE

ANG.	±5
0.	±0.3
.0	±0.25
.00	±0.20

SCALE: AS SHOWN UNIT: mm

DRAWN Willis 2009/09/28

CHECKED Angel 2009/09/28

APPROVED Ken 2009/09/28

SIZE A4 REV.



ATTEND TECHNOLOGY INC.

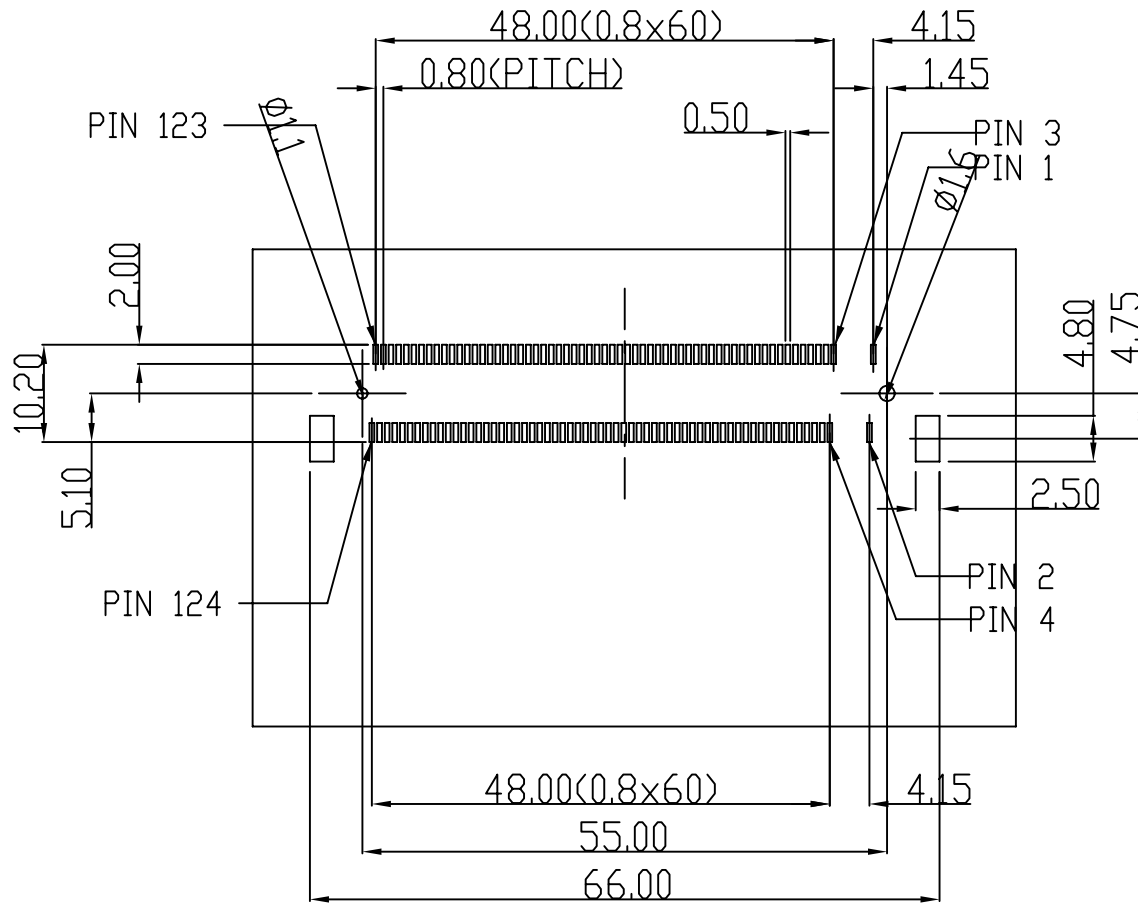
www.attend.com.tw

DRAWN NAME: Mini PCI Socket
stand off 9.2mm, Metal grounding type

PRODUCT NO. 114B-92B00-R02

FILE NAME: 114B-92B00-R02_B_2

REV.	DESCRIPTION	DATE	SIZE
1	Revise: Latch Matte Tin Plated	2009/09/28	A4
2	Revise: Layout Peg	2009/07/06	A4



RECOMMEND PC BOARD LAYOUT

UNLESS OTHERWISE SPECIFIED TOLERANCE

ANG.	±5
0.	±0.3
.0	±0.25
.00	±0.20

SCALE: AS SHOWN UNIT: mm

DRAWN Willis 2009/09/28

CHECKED Angel 2009/09/28

APPROVED Ken 2009/09/28



ATTEND TECHNOLOGY INC.

www.attend.com.tw

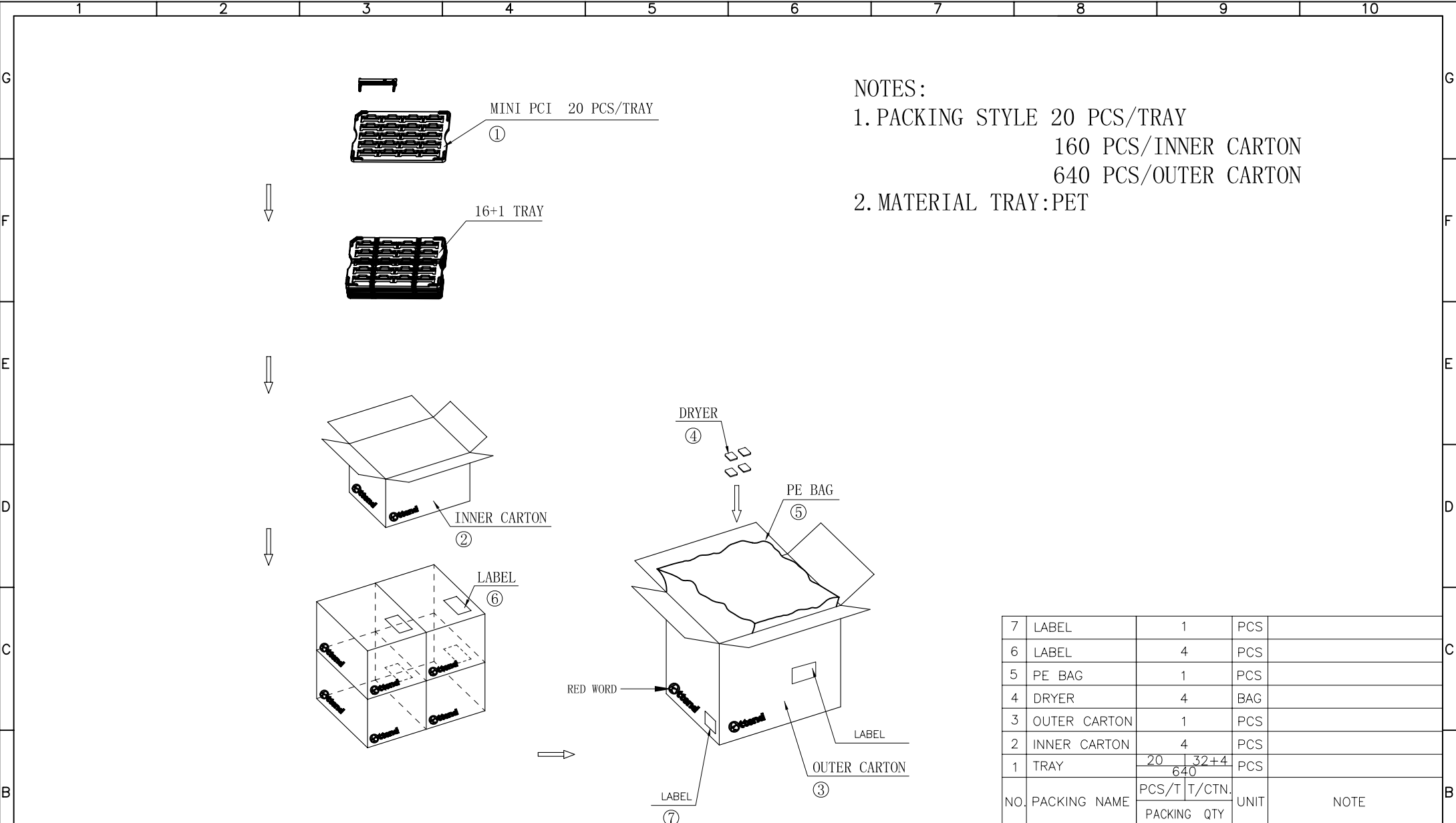
DRAWN NAME: Mini PCI Socket

stand off 9.2mm, Metal grounding type

PRODUCT NO. 114B-92B00-R02

FILE NAME: 114B-92B00-R02_B_2

REV.	DESCRIPTION	DATE	SIZE	REV.
1	Revise: Latch Matte Tin Plated	2009/09/28	A4	
2	Revise: Layout Peg	2009/07/06		



NOTES:
 1. PACKING STYLE 20 PCS/TRAY
 160 PCS/INNER CARTON
 640 PCS/OUTER CARTON
 2. MATERIAL TRAY:PET

7	LABEL	1	PCS	
6	LABEL	4	PCS	
5	PE BAG	1	PCS	
4	DRYER	4	BAG	
3	OUTER CARTON	1	PCS	
2	INNER CARTON	4	PCS	
1	TRAY	20	32+4 640	PCS
NO.	PACKING NAME	PCS/T	T/CTN.	UNIT
		PACKING QTY		NOTE

						UNLESS OTHERWISE SPECIFIED TOLERANCE		 ATTEND TECHNOLOGY INC. www.attend.com.tw	
						ANG.	±5		
						0.	±0.3	DRAWN NAME: Mini PCI Socket stand off 5.6mm, Metal grounding type PRODUCT NO. 114B-92B00-R02	
						.0	±0.25		
						.00	±0.20		
REV.	1	2	3	DESCRIPTION	DATE	SIZE A4			