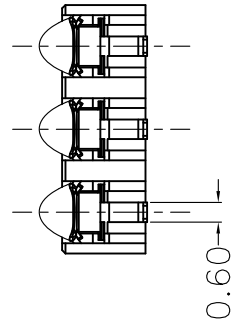
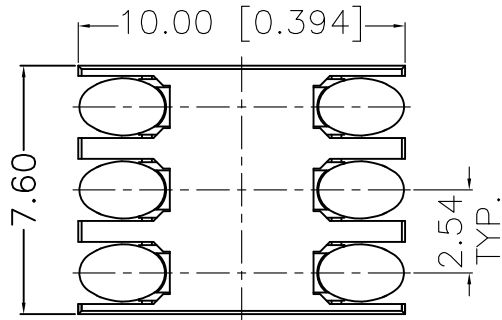


1		2		3		4		5		6		7		8		9		10				
SWITCH CIRCUIT						MATERIAL AND FINISH AS BELOW																
WHEN CARD IS EJECTED			WHEN CARD IS INSERTED			A	Housing	LCP UL94V-0, Color:Black						E								
						B	Contact	Phosphor Bronze C5210, Contact Area: Gold Plated						F								
						C																
						D																

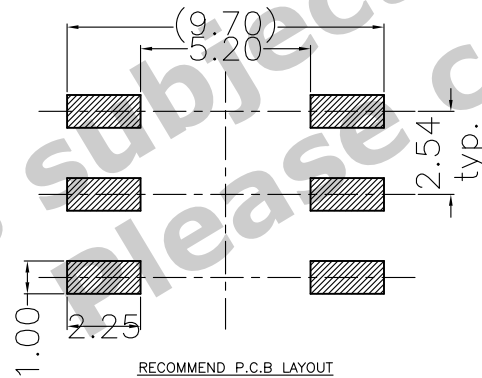
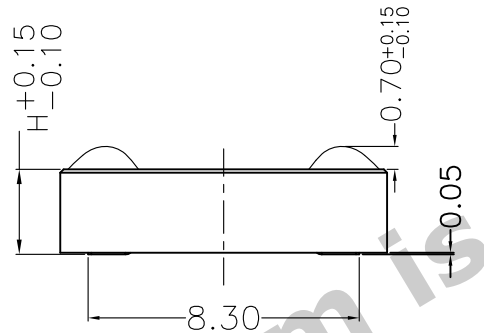


PRODUCT NUMBER:
115D- $\frac{A}{1}$ $\frac{A}{2}$ $\frac{X}{3}$ 0-RA1

SPECIFICATION:

- 1. Type
A: 6Pin
- 2. Contact Plating
A: Gold Flash
- 3. Height
A: 2.6mm
F: 1.6mm

- 1. ELECTRICAL**
 - 1.1 Current Rating: 0.5A
 - 1.2 Voltage Rating: 15VDC
 - 1.3 Contact Resistance: 30mΩ
 - 1.4 Insulation Resistance: 1000MΩ
 - 1.5 Dielectric Withstanding Voltage: 500VAC for 1 minute
- 2. MECHANICAL**
 - 2.1 Durability: 5000 cycle
- 3. ENVIRONMENTAL**
 - 3.1 Operating temperature range: -30°C to +85°C
 - 3.2 Storage temperature range: -30°C to +85°C
- 4. SOLDER ABILITY**
 - 4.1 Recommended IR Reflow Temperature: 260°C±10sec



RECOMMEND P.C.B LAYOUT
TOLERANCE ±0.05
TOP VIEW

P1	P2	P3	P4	P5	P6	P7	P8	P9	P10	P11	P12
----	----	----	----	----	----	----	----	----	-----	-----	-----

PIN ASSIGNMENT

PRODUCT NO.	DESCRIPTION
-------------	-------------

UNLESS OTHERWISE SPECIFIED TOLERANCE		
ANGLES	ANG.	±5°
LINEAR	0.	±0.3
	0.0	±0.25
	0.00	±0.20
SCALE	AS SHOWN	UNIT: mm
DRAWN	Willis	2014/04/11
CHECKED	Angel	2014/04/11
APPROVED	Ken	2014/04/11



www.attend.com.tw

DRAWN NAME:
SIM Card 6Pin Socket SMD Type

PRODUCT NO. 115D-AAX0-RA1

REV.	DESCRIPTION	DATE	REV.	DESCRIPTION	DATE
1			4		
2			5		
3			6		
4			7		
5			8		
6			9		
7			10		

REV.	DESCRIPTION	DATE	REV.	DESCRIPTION	DATE	SIZE	REV.	FILE NAME
1			4			A4	1.0	115D-AAX0-RA1_B_3