

RECOMMENDED P.C.B LAYOUT
 ALL TOLERANCE $\pm 0.05\text{mm}$

UNLESS OTHERWISE SPECIFIED TOLERANCE		
ANGLES	ANG.	$\pm 5^\circ$
LINEAR	0.	± 0.3
	0.0	± 0.25
	0.00	± 0.20
SCALE	AS SHOWN	UNIT: mm
DRAWN	Willis	2013/10/16
CHECKED	Angel	2013/10/16
APPROVED	Ken	2013/10/16



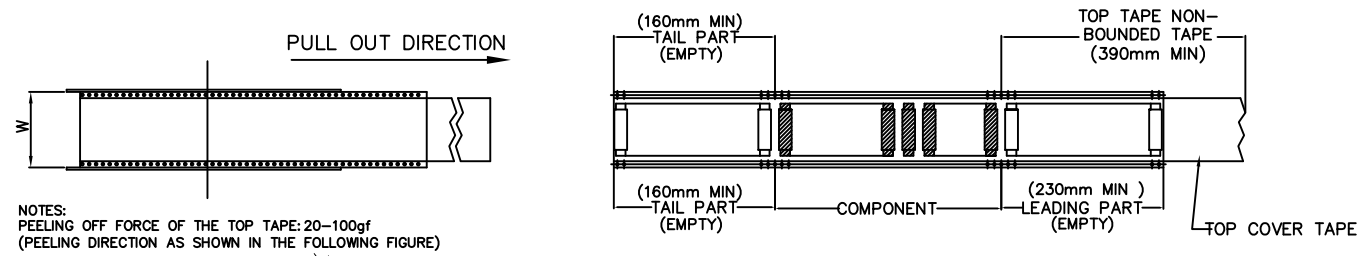
www.attend.com.tw

- △ Revise:
- △ Revise:
- △ Revise:

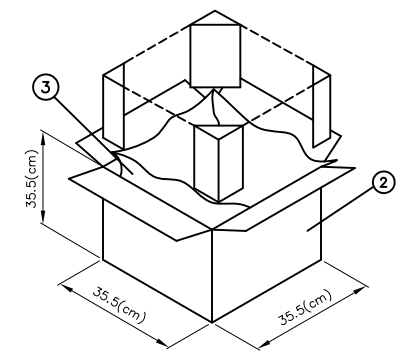
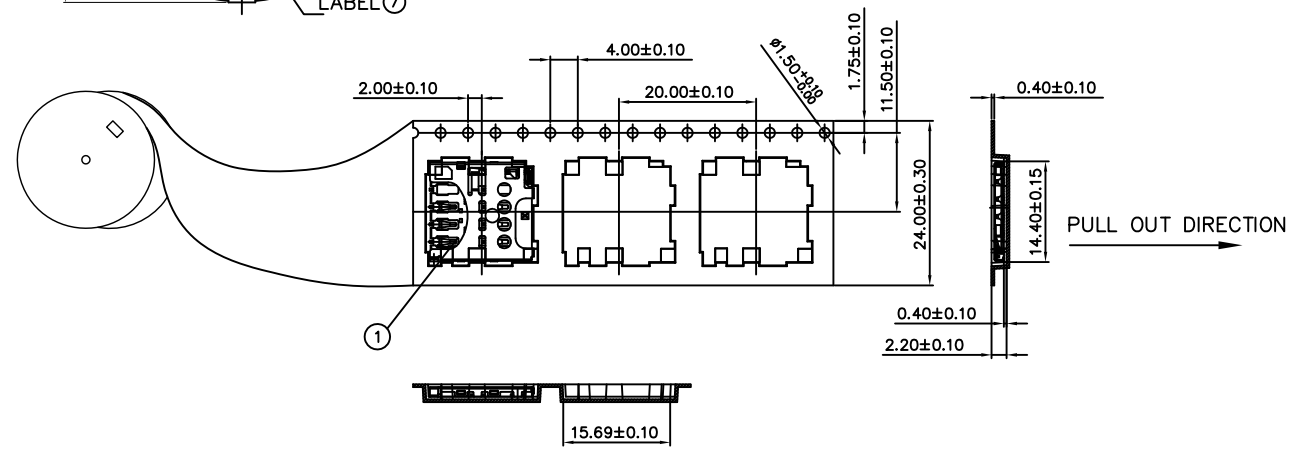
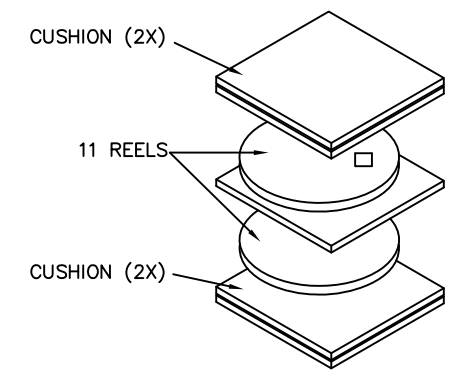
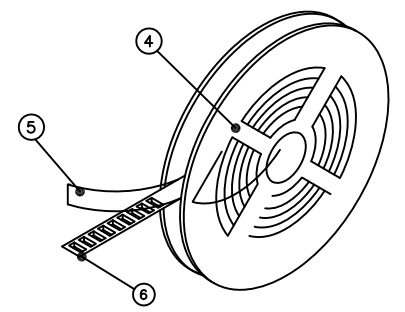
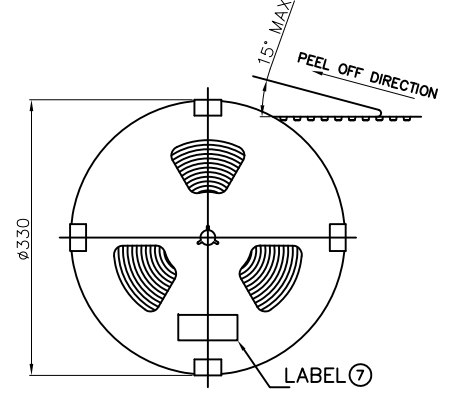
DRAWN NAME:		Micro SIM Card Socket with Detect Pin
		SMD Type Hight 1.4mm
PRODUCT NO.	115I-AEAA	
FILE NAME	115I-AEAA_B_1	

REV.	DESCRIPTION	DATE	REV.	DESCRIPTION	DATE	SIZE	REV.	FILE NAME
1						A4	1.0	

ITEM	PARTS NAME	FINISH/REMARK
1	I/O CONNECTOR	13200 PCS/BOX(REFERENCE)
2	BOX	11 REEL/BOX
3	WATERPROOF BAG	1 PCS
4	REEL	--
5	TOP COVER TAPE	(COLOR: TRANSPARENT)
6	CARRIER TAPE	1200 PCS/REEL(REFERENCE)
7	LABEL	




NOTES:
PEELING OFF FORCE OF THE TOP TAPE: 20-100gf
(PEELING DIRECTION AS SHOWN IN THE FOLLOWING FIGURE)



REV.	DESCRIPTION	DATE	REV.	DESCRIPTION	DATE
1			2		
3			4		

UNLESS OTHERWISE SPECIFIED TOLERANCE		
ANGLES	ANG.	±5°
LINEAR	0.	±0.3
	0.0	±0.25
	0.00	±0.20
SCALE	AS SHOWN	UNIT: mm
DRAWN	Willis	2013/10/16
CHECKED	Angel	2013/10/16
APPROVED	Ken	2013/10/16
SIZE	A4	REV. 1.0



www.attend.com.tw

DRAWN NAME: Micro SIM Card Socket with Detect Pin
 SMD Type Hight 1.4mm
 PRODUCT NO. 115I-AEAA
 FILE NAME 115I-AEAA_D_1

- △ Revise:
- △ Revise:
- △ Revise: