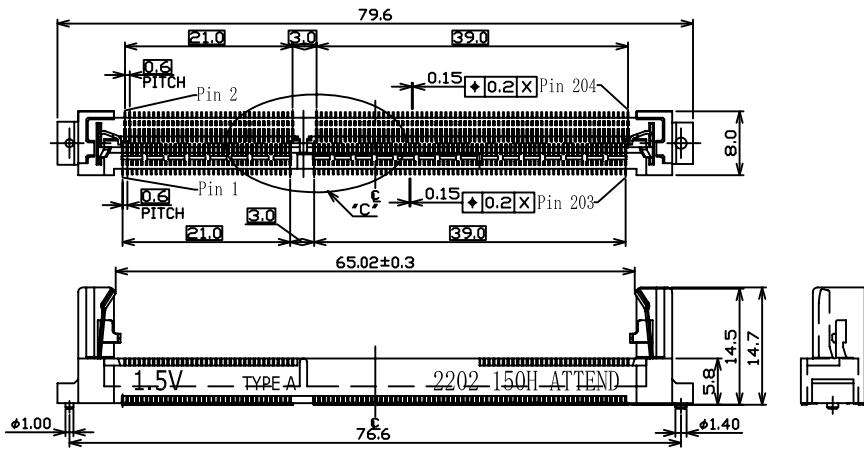
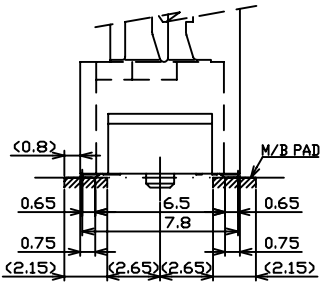
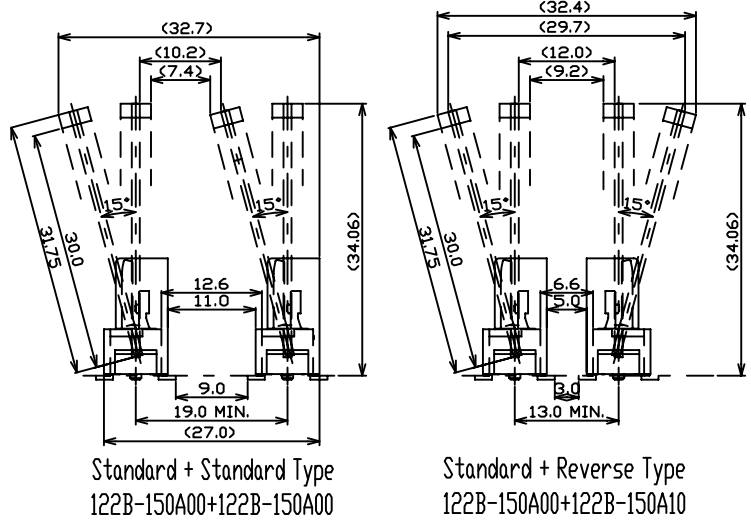
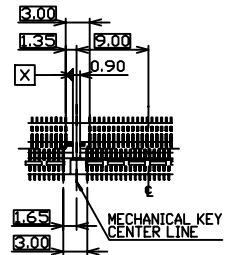


1	2	3	4	5	6	7	8	9	10
SWITCH CIRCUIT			MATERIAL AND FINISH AS BELOW						
WHEN CARD IS EJECTED		WHEN CARD IS INSERTED		A	Housing	LCP UL94V-0 Beige	E		
				B	Contact	Phosphor Bronze C5210, Contact Area: Gold Flash	F		
				C	Latch	Stainless Steel SUS301	G		
				D			H		



NOTES:  
 DATE CODE 2202 (YWWD)  
 Y: 2 YEAR(2012)  
 WW:20 WEEK(01~52)  
 D: 2 DAY(01~07)



**SPECIFICATION:**


- 1. ELECTRICAL**  
 1.1 Current Rating: 0.5A per pin  
 1.2 Voltage Rating: 25V AC/DC  
 1.3 Contact Resistance: 60mΩ  
 1.4 Insulation Resistance: 500MΩ  
 1.5 Dielectric Withstanding Voltage: 125VAC

- 2. MECHANICAL**  
 2.1 Durability: 25 Cycle  
 2.2 Latch Retention Force: 8 N/Pos. Min

- 3. ENVIRONMENTAL**  
 3.1 Operating temperature range: -40°C~+85°C  
 3.2 Storage temperature range: -40°C~+85°C

- 4. SOLDER ABILITY**  
 4.1 Recommended IR Reflow Temperature: 255°C 10Sec

P1	P2	P3	P4	P5	P6	P7	P8	P9	P10	P11	P12
PIN ASSIGNMENT											
122B-150A00			SO DIMM DDR3 Socket 1.5V 204Pin 15.0H Vertical Type , Contact Area: Gold Flash								
PRODUCT NO.			DESCRIPTION								

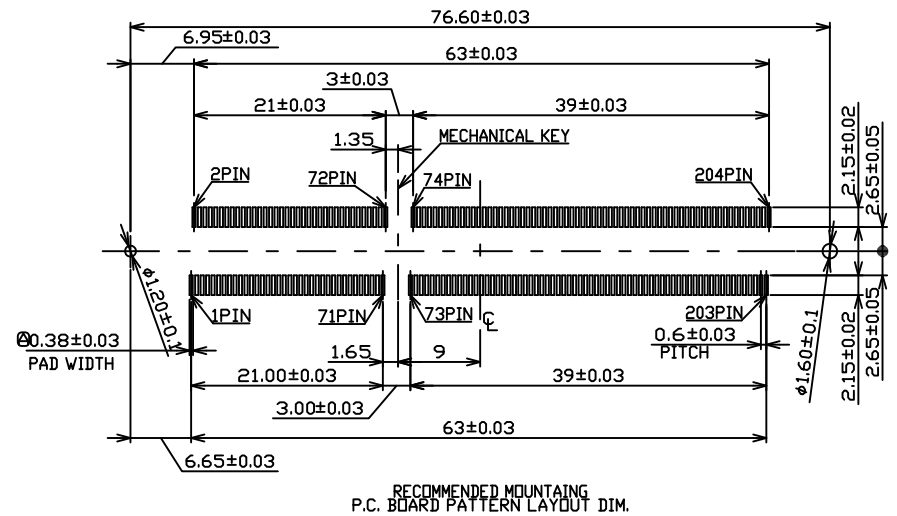
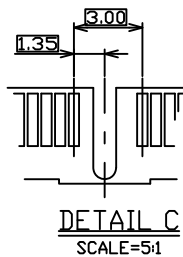
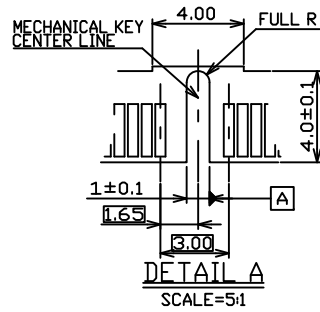
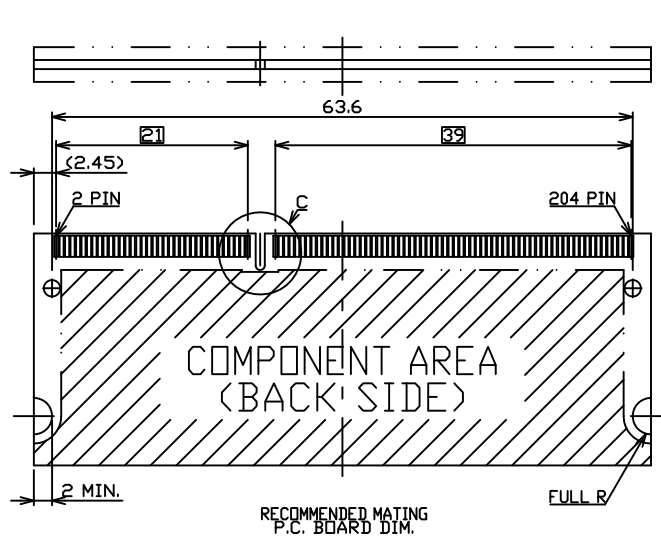
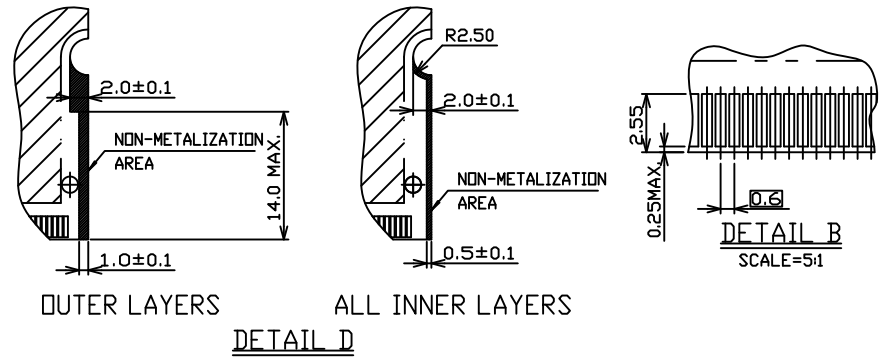
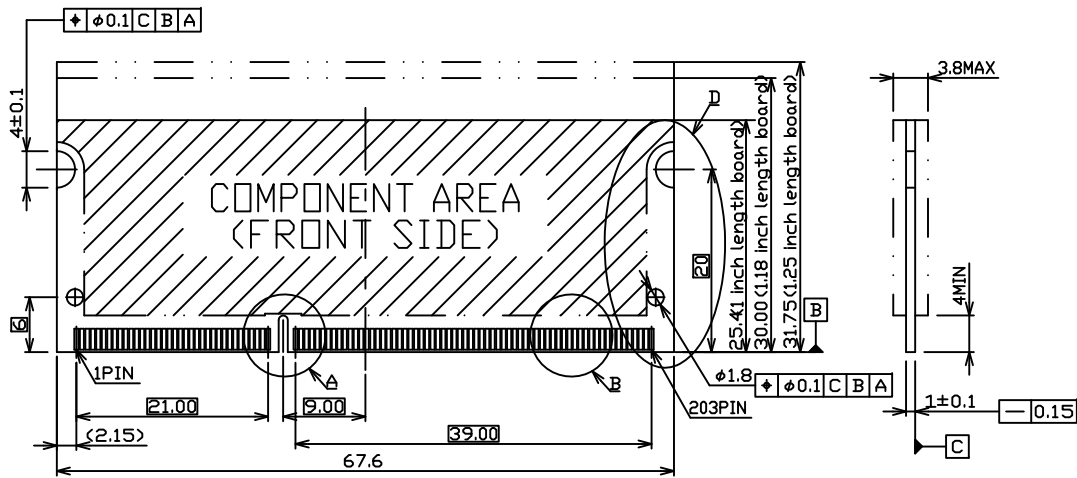
UNLESS OTHERWISE SPECIFIED TOLERANCE							
ANGLES	ANG.	±5°					
LINEAR	0.	±0.3					
	0.0	±0.25					
SCALE	AS SHOWN	UNIT: mm	<a href="http://www.attend.com.tw">www.attend.com.tw</a> DRAWN NAME: SO DIMM DDR3 Socket 1.5V 204Pin 15.0H Vertical Type PRODUCT NO. 122B-150A00 FILE NAME 122B-150A00_B_1				
DRAWN	Willis	2012/12/05					
CHECKED	Angel	2012/12/05					
APPROVED	Ken	2012/12/05					
REV.	DESCRIPTION	DATE	REV.	DESCRIPTION	DATE	SIZE A4	REV. 1.0

△ Revise:

△ Revise:

△ Revise:

REV.	DESCRIPTION	DATE	REV.	DESCRIPTION	DATE	SIZE A4	REV. 1.0
1			2				



UNLESS OTHERWISE SPECIFIED TOLERANCE		
ANGLES	ANG.	±5°
LINEAR	0.	±0.3
	0.0	±0.25
SCALE	AS SHOWN	UNIT: mm
DRAWN	Willis	2012/12/05
CHECKED	Angel	2012/12/05
APPROVED	Ken	2012/12/05



www.attend.com.tw

DRAWN NAME: SO DIMM DDR3 Socket  
1.5V 204Pin 15.0H Vertical Type

PRODUCT NO. 122B-150A00

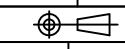
FILE NAME 122B-150A00\_B\_1

REV.	DESCRIPTION	DATE	REV.	DESCRIPTION	DATE
1			1		
2			2		
3			3		
4			4		
5			5		
6			6		
7			7		
8			8		
9			9		
10			10		

Revise:

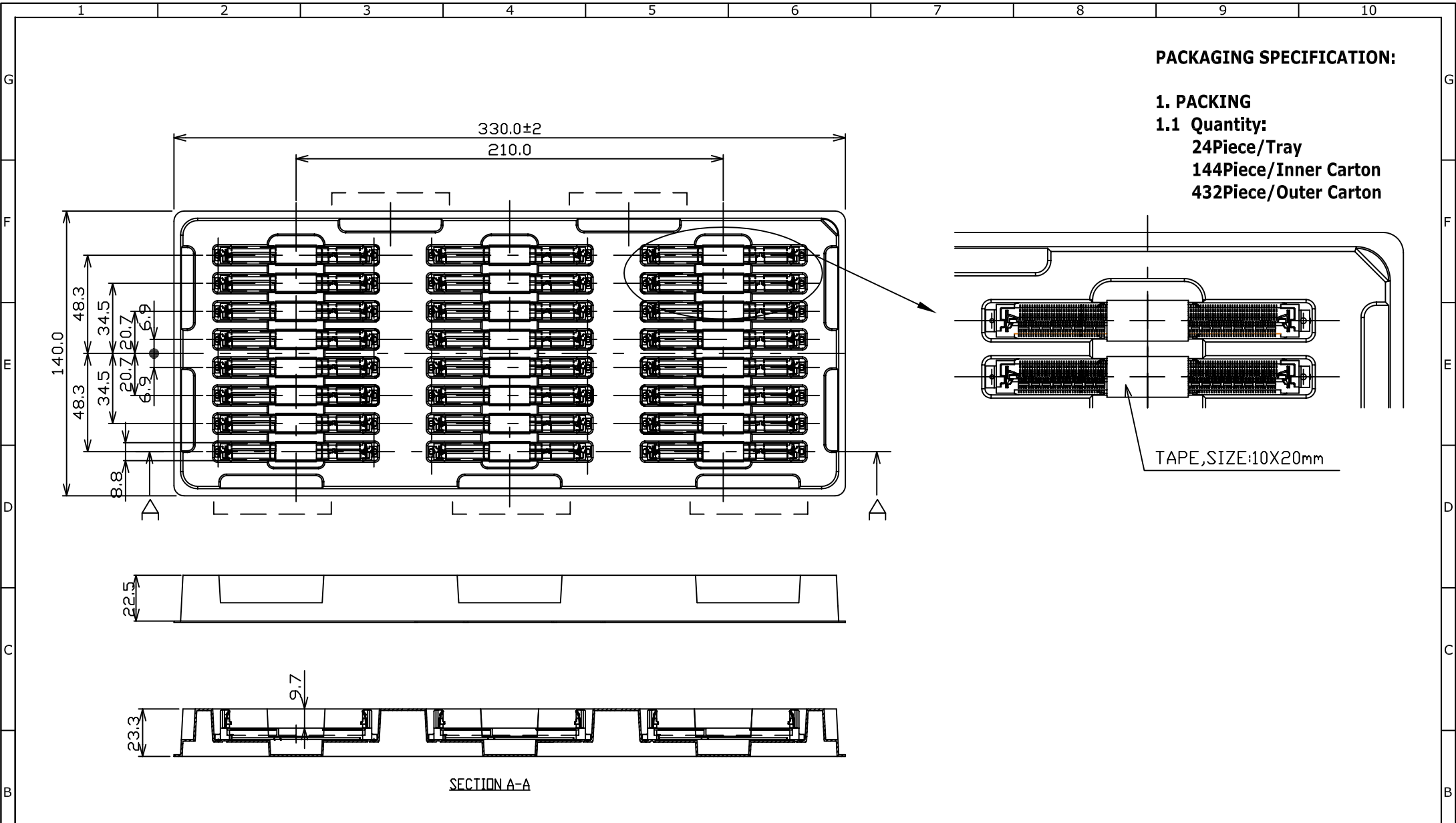
Revise:

Revise:



SIZE A4

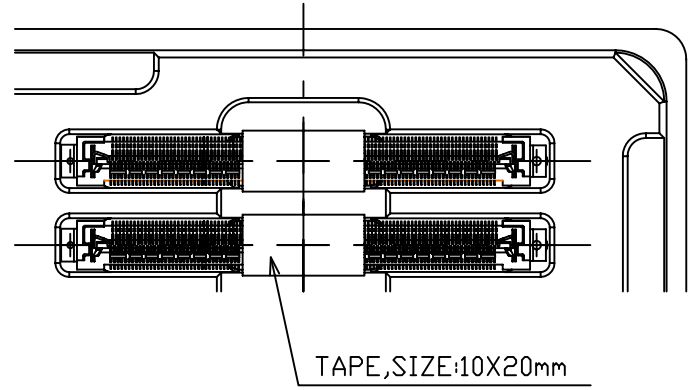
REV. 1.0



**PACKAGING SPECIFICATION:**

- 1. PACKING**
- 1.1 Quantity:**

  - 24Piece/Tray**
  - 144Piece/Inner Carton**
  - 432Piece/Outer Carton**



SECTION A-A

						UNLESS OTHERWISE SPECIFIED TOLERANCE			 www.attend.com.tw		
						ANGLES	ANG.	±5°			
						LINEAR	0.	±0.3			
							0.00	±0.25			
						SCALE	AS SHOWN	UNIT: mm	±0.20		
						DRAWN	Willis	2012/12/05	DRAWN NAME: SO DIMM DDR3 Socket		
						CHECKED	Angel	2012/12/05	1.5V 204Pin 15.0H Vertical Type		
						APPROVED	Ken	2012/12/05	PRODUCT NO.	122B-150A00	
REV.	DESCRIPTION			DATE	REV.	DESCRIPTION			DATE	 SIZE A4 REV. 1.0 FILE NAME 122B-150A00_D_1	
1					2					3	
2					3					4	
3					4					5	
4					5					6	
5					6					7	
6					7					8	
7					8					9	
8					9					10	

A

△

Revise:

△

Revise:

△

Revise: