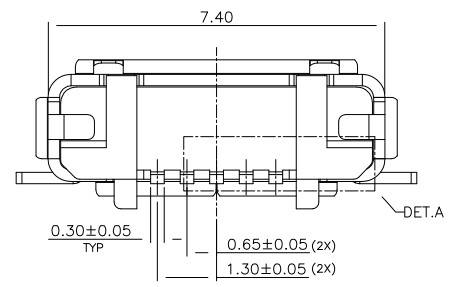
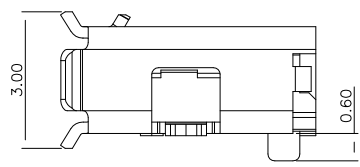
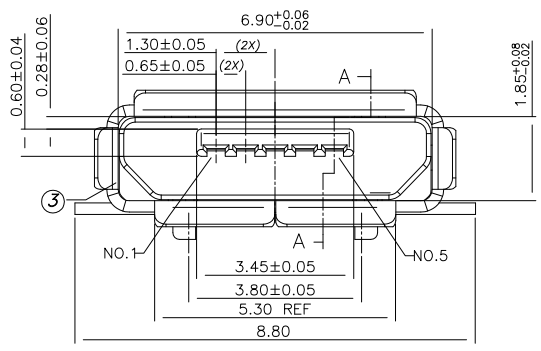
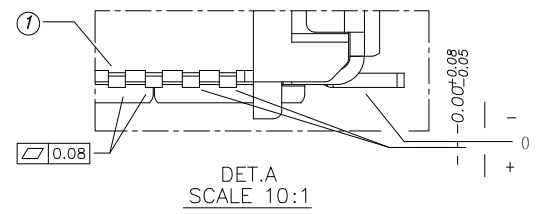


PCB LAYOUT(SCALE 4:1)
TOLERANCE:±0.05



△ PRODUCT NUMBER:
207A-A B A 0-R
1 2 3 4

- 1.Type
A:AB Type
- 2.Contact Plating
B:30u" Gold Plating
- 3.Peg
A:With Peg
- 4.RoHS



3	SHELL	STAINLESS STEEL, T=0.25	40u" Min. NICKEL OVER PLATED	
2	HOUSING	HIGH TEMPERATURE THERMAL PLASTIC	COLOR:GRAY	
1	CONTACT	COPPER ALLOY,T=0.20	CONTACT AREA:Au 30u"Min, SOLDER AREA:Au 3u" Min.	
ITEM	DESC.	MATERIAL	REMARKS	PART REMARKS

△3	Revise:			
△2	Revise:			
△1	Revise: Product Number: Contact Area(Gold 30u") and Peg Area	2009/08/11		
REV.	DESCRIPTION	DATE	REV.	DESCRIPTION
1				
2				
3				
4				
5				
6				
7				
8				
9				
10				

UNLESS OTHERWISE SPECIFIED TOLERANCE		
ANGLES	ANG.	±5°
LINEAR	0.	±0.3
	0.0	±0.25
	0.00	±0.20
SCALE	AS SHOWN	UNIT: mm
DRAWN	Willis	2012/08/03
CHECKED	Angel	2012/08/03
APPROVED	Ken	2012/08/03
SIZE	A4	REV. 1.0



www.attend.com.tw
DRAWN NAME: Micro USB AB Receptacle SMD Type
PRODUCT NO. 207A-ABA0-R
FILE NAME 207A-ABA0-R_B_2