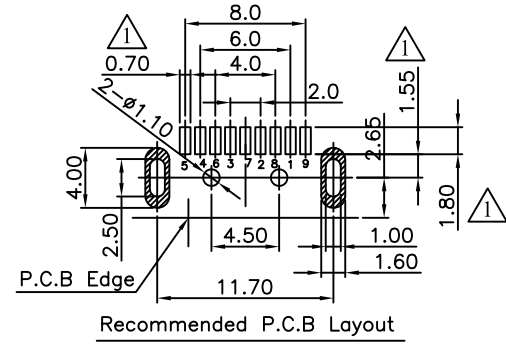
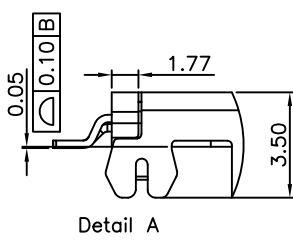
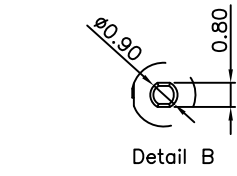
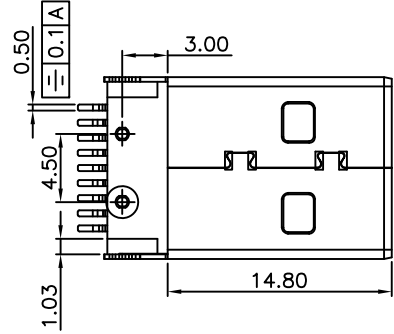
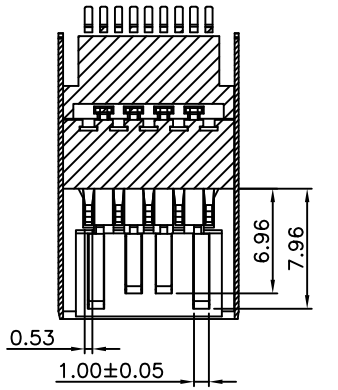
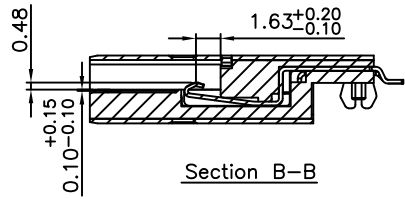
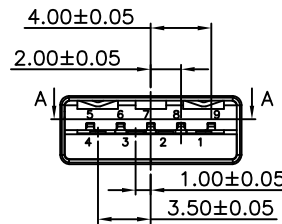
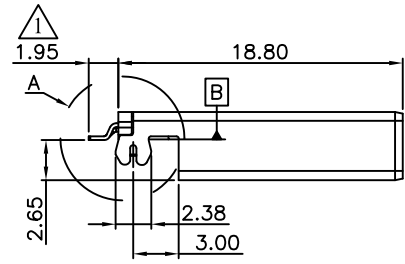
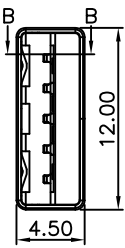
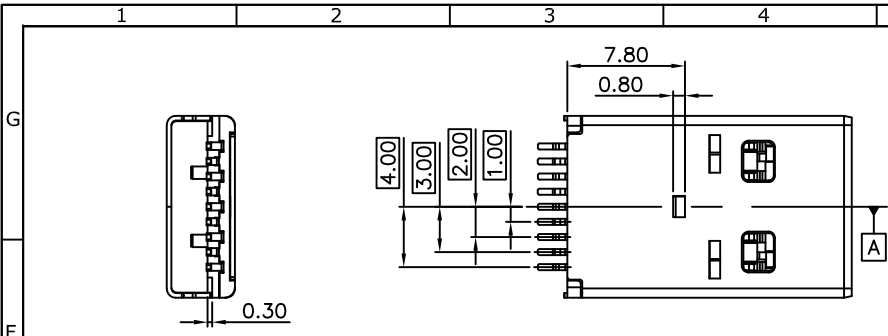
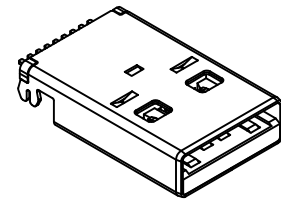


No	Part Name	Material	Final
1	Housing	Nylon-9T,Color: Blue	
2	Contact	Phosphor Bronze	
3	Shell	SPCC	Nickel Plated

Material and Finish:

- ① 1. Insulator Material: Nylon-9T, UL94V-0, Color: Blue
- 2. Contact Material: Phosphor Bronze
- 3. Contact Plated:
Contact Aear Plated: Gold Flash Over 30u" Pd-Ni
Solder Aear Plated: 100~200u" Tin Plated
Underplated: 80u" Nickel Plated
- ①② 4. Shell Material: SPCC
- 5. Shell Plated: Nickel Plated
- 6. Current Rating: 1.8 Amps Max.
- 7. Voltage Rating: 250V AC.
- 8. Contact Resistance: 30M ohm Max.
- 9. Insulation Resistance: 100M ohms Min.
- 10. Dielectric Withstanding Voltage: 100V AC/minute
- 11. Operating Temperature: -20°C to +85°C



Pin Assignments	
Pin No.	Signal Name
1	VBUS
2	D-
3	D+
4	GND
5	StdA_SSRX-
6	StdA_SSRX+
7	GND_DRAIN
8	StdA_SSTX-
9	StdA_SSTX+
Shell	Shield

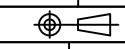
Product Number	Description
209A-SG03	USB3.0 A Plug, Middle Board Mount SMD Type. Offset 2.65mm ,Gold Flash Over 30u" Pd-Ni

UNLESS OTHERWISE SPECIFIED TOLERANCE		
ANGLES	ANG.	±5°
LINEAR	0.	±0.3
	0.0	±0.25
	0.00	±0.20
SCALE	AS SHOWN	UNIT: mm



www.attend.com.tw	
DRAWN NAME: Willis	
USB3.0 A Plug SMD Type Middle Board Mount. Offset 2.65mm	
PRODUCT NO.	209A-SG03
FILE NAME	209A-SG03_B_4

REV.	DESCRIPTION	DATE	REV.	DESCRIPTION	DATE
①	Revise:				
②	Revise: Shell: Nickel Plated				
③	Revise: Solder Pad, Housing Material, Shell Plated, PCB Layout	2010/05/06			



SIZE A4 REV. 1.0