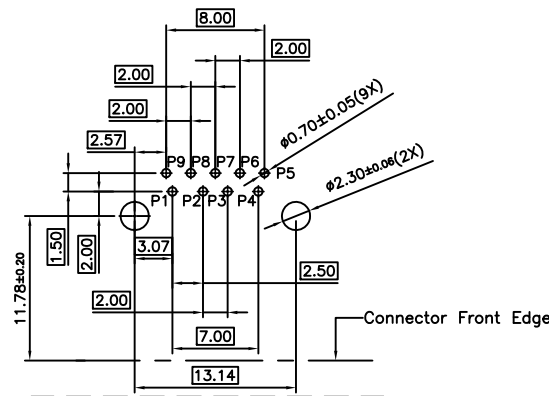
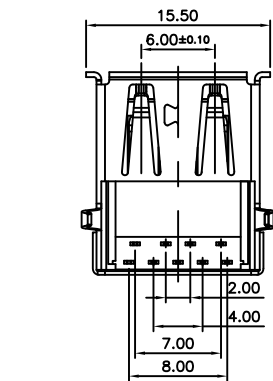
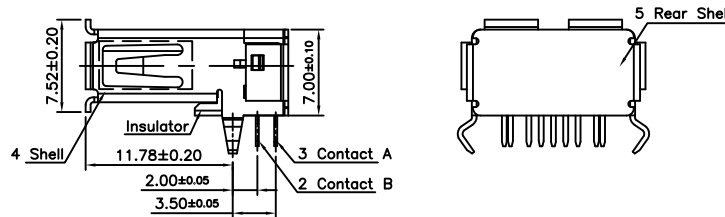
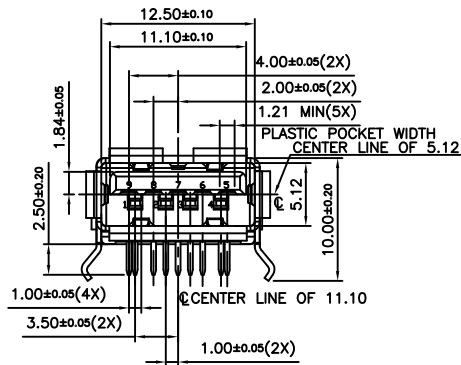
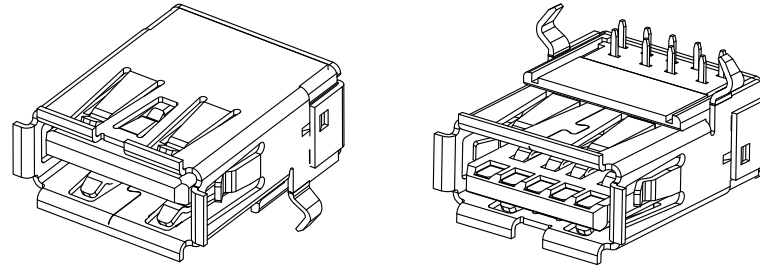
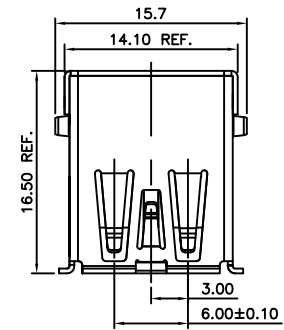


No	Part Name	Material	Final
1	Housing	Nylon-9T,Color: Blue	
2	1~4 Pin Contact	Phosphor Bronze,t=0.25	
3	5~9 Pin Contact	Brass,t=0.25	
4	Shell	Brass	Nickel Plated
5	Pear Shell	SPCC	Nickel Plated

**Material and Finish:**

- Insulator Material: Nylon-9T,UL94V-0,Color:Blue
- Contact A Material: Brass
- Contact B Material: Phosphor Bronze
- Contact Plated:  
Contact Area Plated: 30u" Gold Plated  
Solder tails Area Plated: 100u" Tin Plated  
Underplate: 80u" Nickel Plated
- Shell Material: Brass
- Shell Plated: 80u" Nickel Plated
- Rear Shell Material: SPCC
- Rear Shell Plated: Nickel Plated
- ELECTRICAL REQUIREMENTS:  
CONTACT RESISTANCE: 30mOhms max. initial for VBUS and GND contact  
50mOhms max. initial for all other contacts  
DIELECTRIC STRENGTH:750Volts AC(RMS)  
INSULATION RESISTANCE:100 MOhms minimum.  
CONTACT CURRENT RATING:1.8A max. (PIN1,PIN4)all Other contacts 0.25A min.
- MECHANICAL REQUIREMENTS:  
INSERTION FORCE:35N max.  
EXTRACTION FORCE:10N min. initial,8N after the specified insertion/extraction or durability cycles.

Pin Assignments	
Pin No.	Signal Name
1	VBUS
2	D-
3	D+
4	GND
5	StdA_SSRX-
6	StdA_SSRX+
7	GND_DRAIN
8	StdA_SSTX-
9	StdA_SSTX+
Shell	Shield



**Recommended P.C.B Layout**

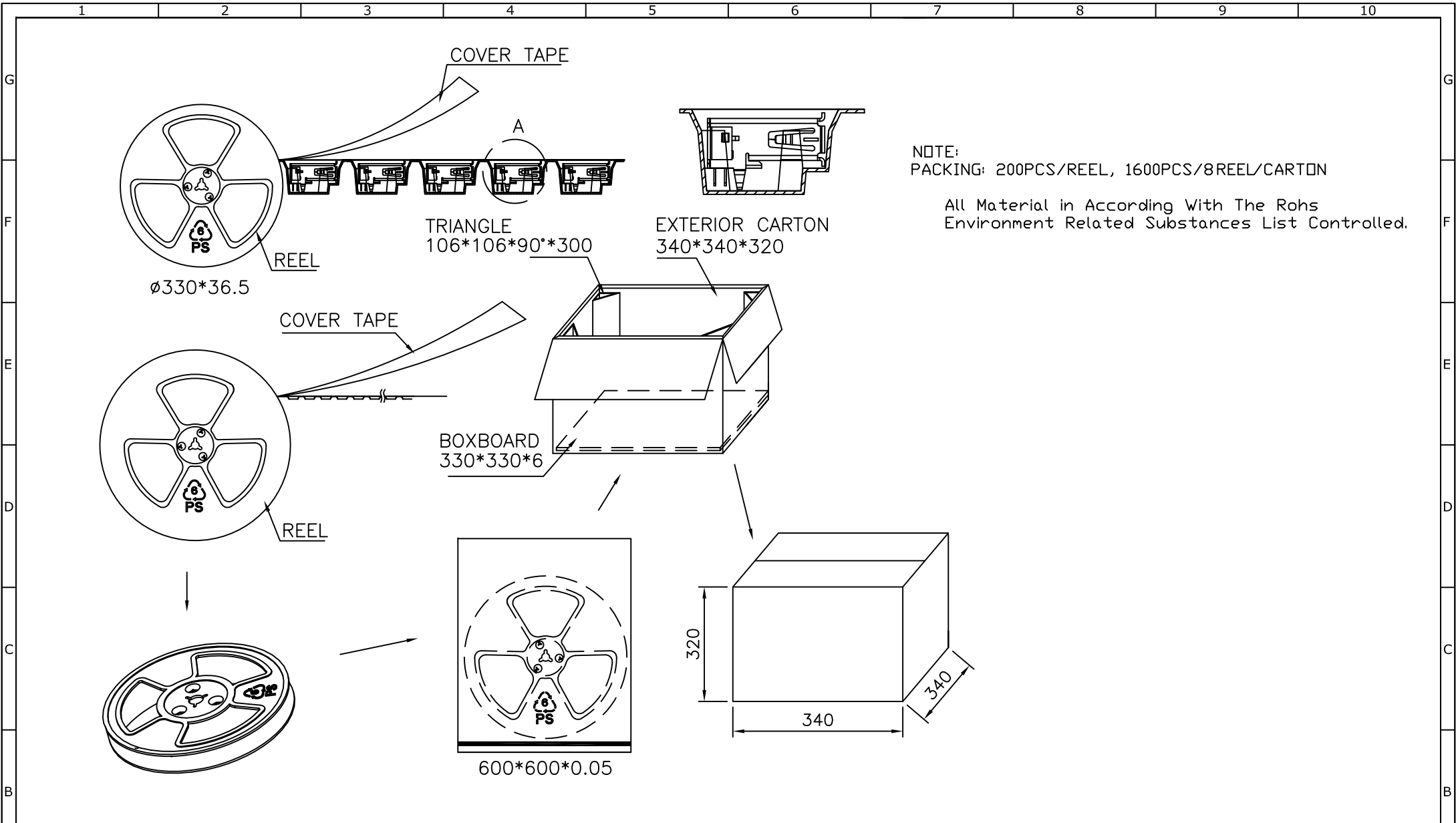
Product Number	Description
209B-DG01	USB3.0 A Receptacle, DIP Standard Type ,30u" Gold Plating


UNLESS OTHERWISE SPECIFIED TOLERANCE		
ANGLES	ANG.	±5°
LINEAR	0.	±0.3
	0.0	±0.25
	0.00	±0.20
SCALE	AS SHOWN	UNIT: mm
DRAWN	Willis	2012/08/03
CHECKED	Angel	2012/08/03
APPROVED	Ken	2012/08/03



www.attend.com.tw  
 DRAWN NAME:  
 USB3.0 A Receptacle Dip Standard Type  
 PRODUCT NO. 209B-DG01

REV.	DESCRIPTION	DATE	REV.	DESCRIPTION	DATE
1			4		
2			5		
3			6		
			7		



				UNLESS OTHERWISE SPECIFIED TOLERANCE			 <a href="http://www.attend.com.tw">www.attend.com.tw</a> DRAWN NAME: USB3.0 A Receptacle Dip Standard Type PRODUCT NO. 209B-DG01 FILE NAME 209B-DG01_D_2		
				ANGLES	ANG.	±5°			
				LINEAR	0.	±0.3			
					0.00	±0.25			
				SCALE	AS SHOWN	UNIT: mm			
				DRAWN	Willis	2012/08/03			
				CHECKED	Angel	2012/08/03			
				APPROVED	Ken	2012/08/03			
REV.	DESCRIPTION	DATE	REV.	DESCRIPTION	DATE	SIZE	REV.	FILE NAME	
1			4			A4	1.0		