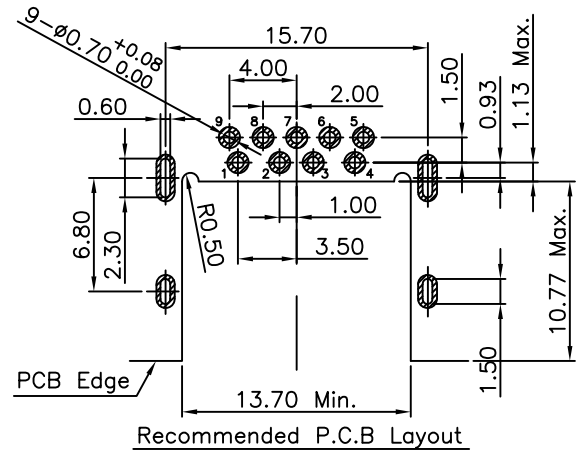
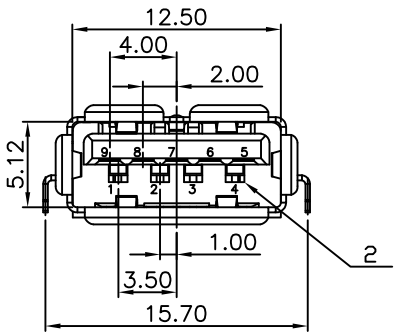
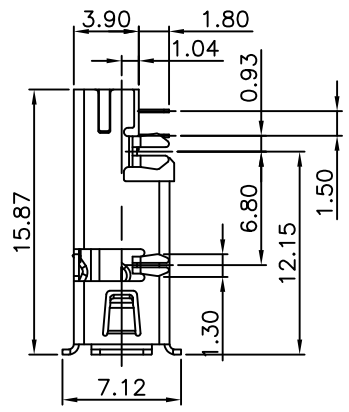
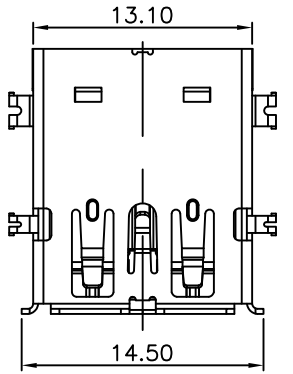
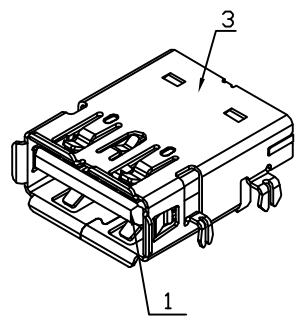
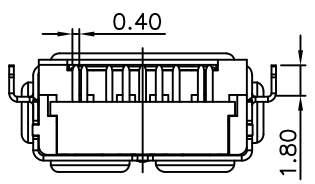


No	Part Name	Material	Final
1	Housing	Nylon-9T,Color: Blue	
2	1~9 Pin Contact	Phosphor Bronze,t=0.25	
3	Shell	Brass	Nickel Plated

Material and Finish:

1. Insulator Material: Nylon-9T, UL94V-0, Color: Blue
2. Contact Material: Phosphor Bronze
3. Contact Plated:
 Contact Aear Plated: Gold Flash Over 30u" Pd-Ni
 Solder Aear Plated: 100~200u" Tin Plated
 Underplated: 50~100u" Nickel Plated
4. Shell Material: Brass
5. Shell Plated: Nickel Plated
6. Current Rating: 1.8 Amps Max.
7. Voltage Rating: 250V AC.
8. Contact Resistance: 30M ohm Max.
9. Insulation Resistance: 100M ohms Min.
10. Dielectric Withstanding Voltage: 100V AC/minute
11. Operating Temperature: -20°C to +85°C



Pin Assignments	
Pin No.	Signal Name
1	VBUS
2	D-
3	D+
4	GND
5	StdA_SSRX-
6	StdA_SSRX+
7	GND_DRAIN
8	StdA_SSTX-
9	StdA_SSTX+
Shell	Shield

Product Number	Description
209B-DG02	USB3.0 A Receptacle, Middle Board Mount DIP type ,Gold Flash Over 30u" Pd-Ni

UNLESS OTHERWISE SPECIFIED TOLERANCE		
ANGLES	ANG.	±5°
LINEAR	0.	±0.3
	0.0	±0.25
	0.00	±0.20
SCALE	AS SHOWN	UNIT: mm
DRAWN	Willis	2012/08/03
CHECKED	Angel	2012/08/03
APPROVED	Ken	2012/08/03



www.attend.com.tw

DRAWN NAME:
USB3.0 A Receptacle
Middle Board Mount Dip Type

PRODUCT NO. 209B-DG02

REV.	DESCRIPTION	DATE	REV.	DESCRIPTION	DATE
1			1		
2			2		
3			3		
4			4		
5			5		
6			6		
7			7		



SIZE A4

REV. 1.0

FILE NAME 209B-DG02_B_2

A

A

B

B

C

C

D

D

E

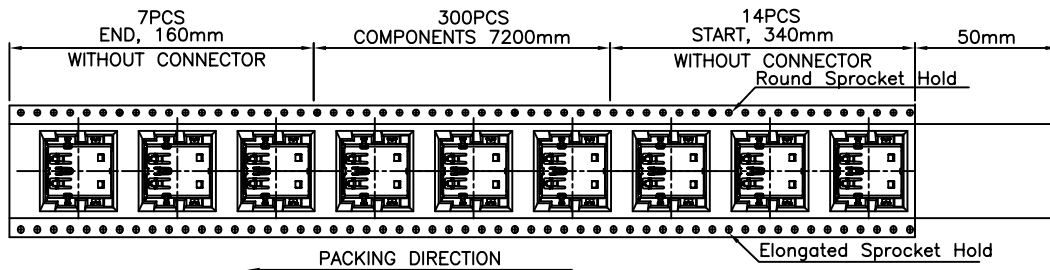
E

F

F

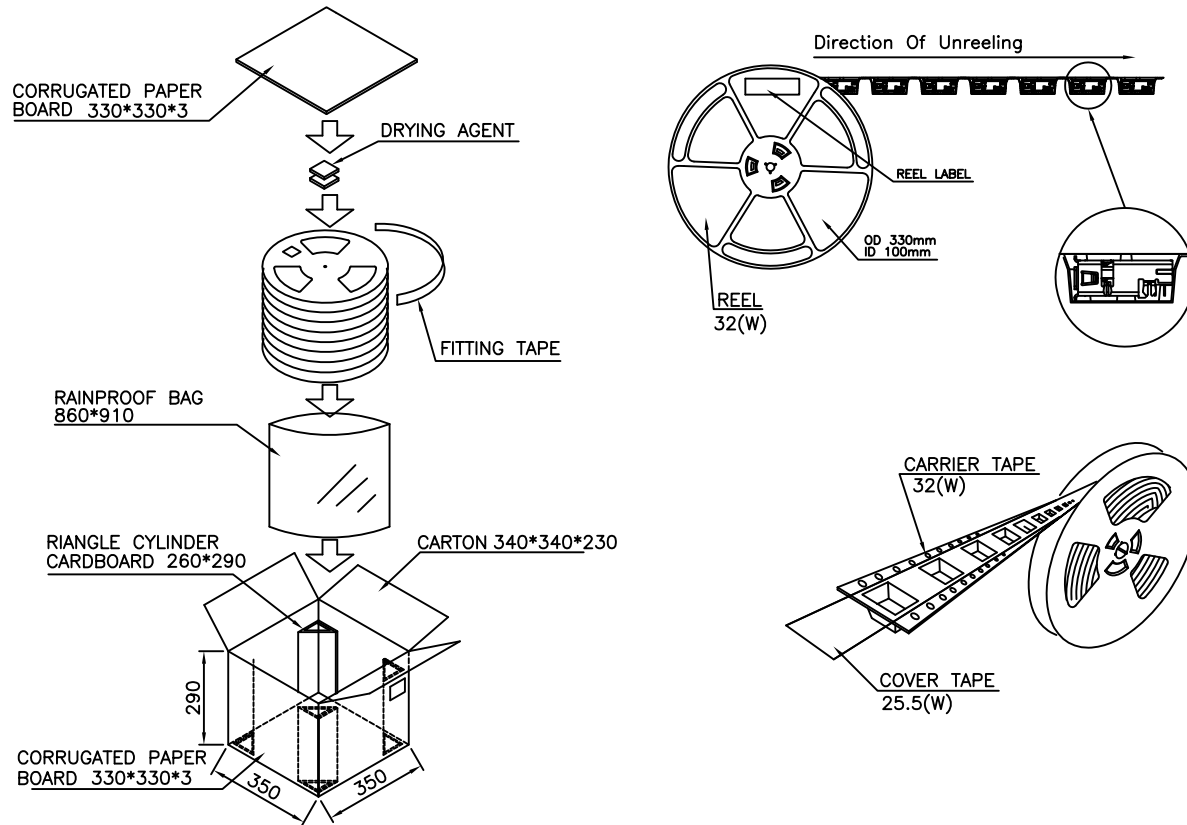
G

G



NOTE:
PACKING: 300PCS/REEL, 1500PCS/5REEL/CARTON

All Material in According With The Rohs Environment Related Substances List Controlled.



UNLESS OTHERWISE SPECIFIED TOLERANCE		
ANGLES	ANG.	±5°
LINEAR	0.	±0.3
	0.0	±0.25
	0.00	±0.20
SCALE	AS SHOWN	UNIT: mm
DRAWN	Willis	2012/08/03
CHECKED	Angel	2012/08/03
APPROVED	Ken	2012/08/03
SIZE	A4	REV. 1.0



www.attend.com.tw

DRAWN NAME: USB3.0 A Receptacle Middle Board Mount Dip Type

PRODUCT NO. 209B-DG02

FILE NAME 209B-DG02_D_2

REV.	DESCRIPTION	DATE	REV.	DESCRIPTION	DATE
1			4		
2			5		
3			6		
7			8		
9			10		

Revise:
Revise:
Revise:

Revise:
Revise:
Revise: