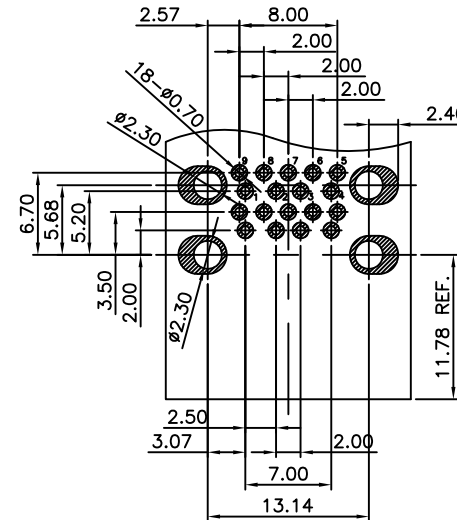
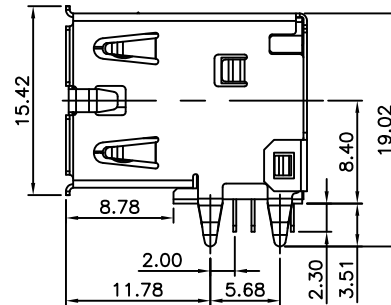
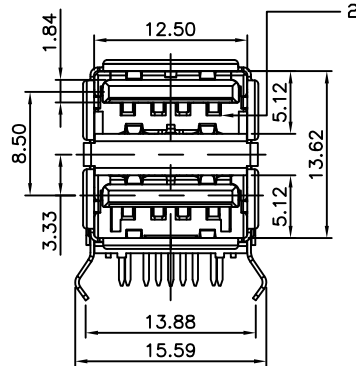
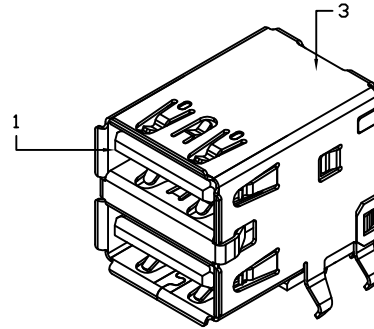
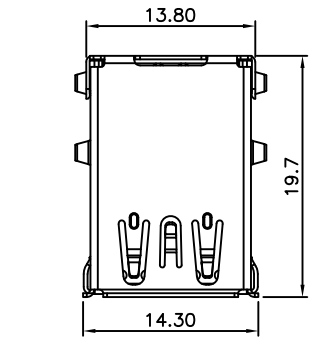


No	Part Name	Material	Final
1	Housing	Nylon-9T,Color: Blue	
2	Pin Contact	Phosphor Bronze,t=0.25	
3	Shell	Brass	Tin Plated

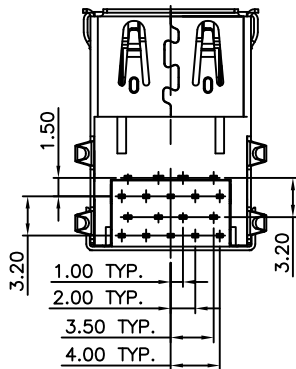
Material and Finish:

1. Insulator Material: Nylon-9T, UL94V-0, Color: Blue
2. Contact Material: Phosphor Bronze
3. Contact Plated:
Contact Area Plated: Gold Flash Over 30u" Pd-Ni
Solder Area Plated: 100~200u" Tin Plated
4. Shell Material: Phosphor Bronze
5. Shell Plated: Tin Plated
6. Current Rating: 1.8 Amps.
7. Contact Resistance: 30m ohms Max.
8. Insulation Resistance: 100M ohms Min.
9. Dielectric Withstanding Voltage: 100V AC/minute



Recommended P.C.B Layout
Tolerances: ±0.05

Pin Assignments	
Pin No.	Signal Name
1	VBUS
2	D-
3	D+
4	GND
5	StdA_SSRX-
6	StdA_SSRX+
7	GND_DRAIN
8	StdA_SSTX-
9	StdA_SSTX+
Shell	Shield



Product Number	Description
209B-DG03	USB3.0 A Receptacle, Dual Port DIP type ,Gold Flash Over 30u" Pd-Ni

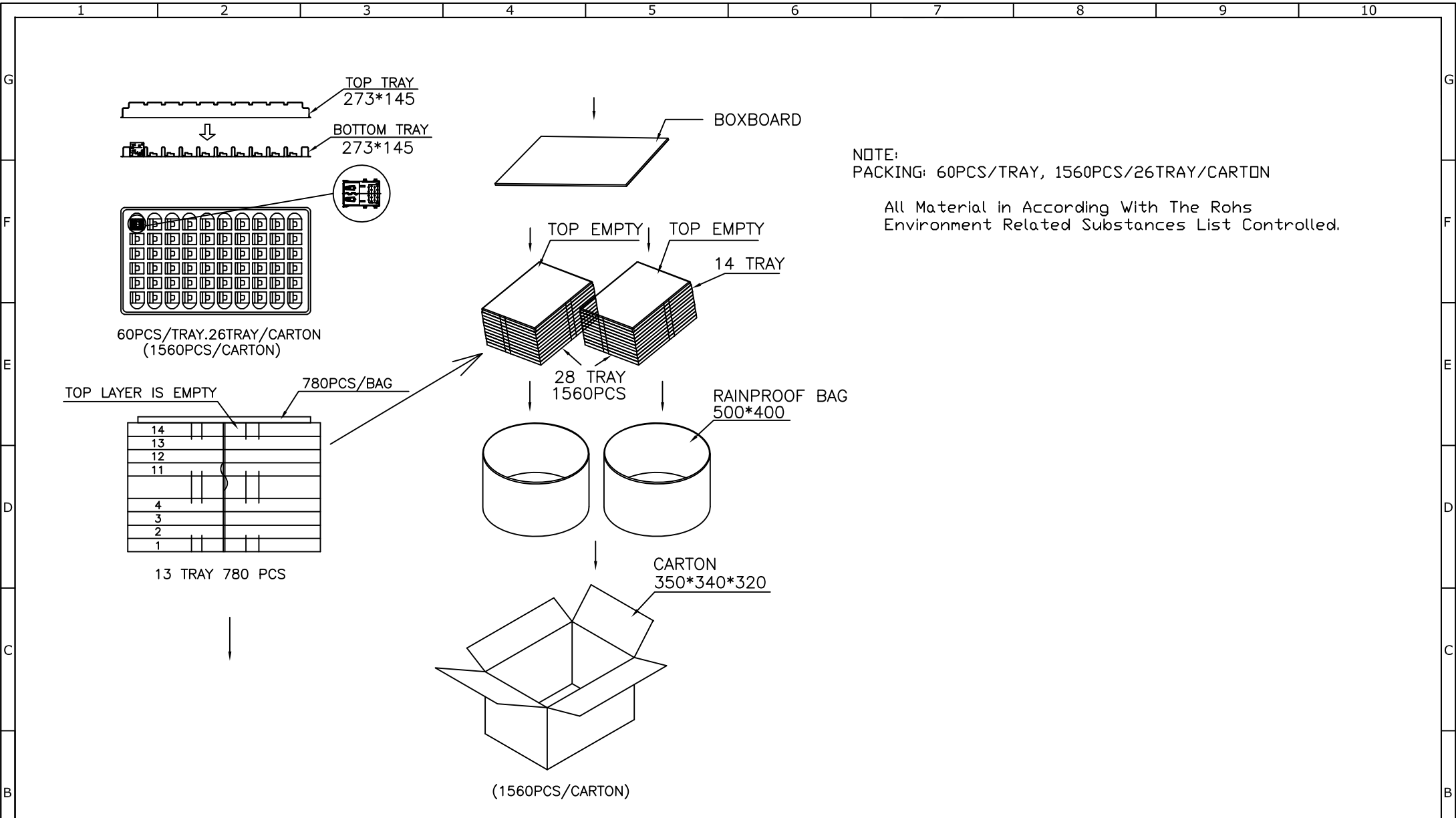
UNLESS OTHERWISE SPECIFIED TOLERANCE		
ANGLES	ANG.	±5°
LINEAR	0.	±0.3
	0.0	±0.25
	0.00	±0.20
SCALE	AS SHOWN	UNIT: mm
DRAWN	Willis	2012/08/03
CHECKED	Angel	2012/08/03
APPROVED	Ken	2012/08/03



www.attend.com.tw

- △ Revise:
- △ Revise:
- △ Revise:

REV.	DESCRIPTION	DATE	REV.	DESCRIPTION	DATE	SIZE	REV.	FILE NAME
1			4			A4	1.0	209B-DG03_B_2



				UNLESS OTHERWISE SPECIFIED TOLERANCE			 www.attend.com.tw		
		ANGLES	ANG.	±5°					
		LINEAR		0.	±0.3				
				0.0	±0.25				
				0.00	±0.20				
		SCALE	AS SHOWN	UNIT: mm					
A		△	Revise:	DRAWN		Willis	2012/08/03	DRAWN NAME:	
		△	Revise:	CHECKED		Angel	2012/08/03	USB3.0 A Receptacle Dual Port Dip Type	
		△	Revise:	APPROVED		Ken	2012/08/03	PRODUCT NO.	209B-DG03
REV.	DESCRIPTION	DATE	REV.	DESCRIPTION	DATE	SIZE	REV.	FILE NAME	
1			4			A4	1.0	209B-DG03_D_2	