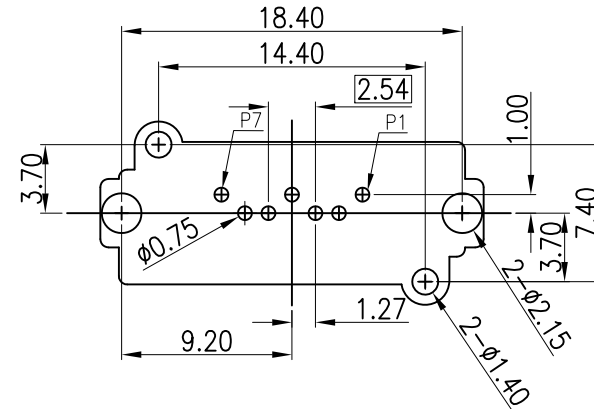
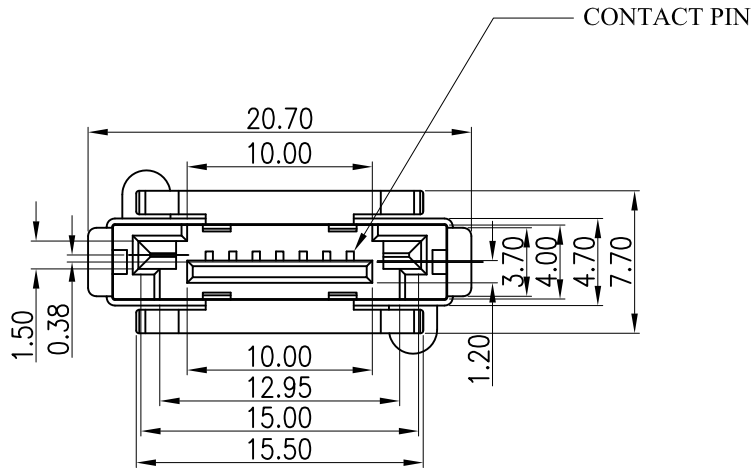


NOTE:

- 1.MATERIAL
HOUSING: LCP 30%GF THERMOPLASTIC UL94V-0 BLACK
CONTACT: BRASS
SHELL: BRASS
- 2.PLATING:
CONTACT AREA: 15u" GOLD PLATED OVER Ni
SOLDER TAIL: 100U" MIN TIN PLATED OVER Ni
- 3.ELECTRICAL
CONTACT RESISTANCE: 30 MILLIOHMS
DIELECTRIC WITHSTANDING VOLTAGE: 500V AC
CURRENT RATING: 1.5A
INSULATION RESISTANCE: 1000M OHM MIN
- 4.ENVIRONMENTAL
OPERATING TEMPERATURE: -55°C TO +85°C



RECOMMENDED P.C.B LAYOUT

Product Number	Description
215A-SEB0	E SATA 7P Male Straight 180° DIP Type , LCP Black With Shell, Contact Plating 15u"

UNLESS OTHERWISE SPECIFIED TOLERANCE		
ANGLES	ANG.	±5°
LINEAR	0.	±0.3
	0.0	±0.25
	0.00	±0.20
SCALE	AS SHOWN	UNIT: mm
DRAWN	Willis	2012/08/03
CHECKED	Angel	2012/08/03
APPROVED	Ken	2012/08/03



www.attend.com.tw

△	Revise:																		
△	Revise:																		
△	Revise:																		
REV.	DESCRIPTION	DATE	REV.	DESCRIPTION	DATE	SIZE	REV.	FILE NAME	PRODUCT NO.										
1			4			A4	1.0	215A-SEB0_B_2	215A-SEB0										