



240PSM-C-CR

SMA Male for CNT-240 braided cable

## General Specifications

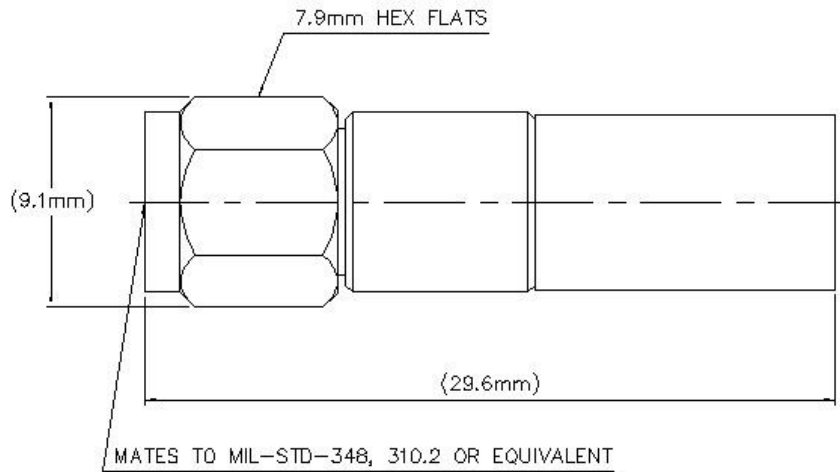
|            |          |
|------------|----------|
| Interface  | SMA Male |
| Body Style | Straight |
| Brand      | CNT®     |

## Electrical Specifications

|                                      |                   |
|--------------------------------------|-------------------|
| Operating Frequency Band             | 0 – 6000 MHz      |
| Cable Impedance                      | 50 ohm            |
| Connector Impedance                  | 50 ohm            |
| RF Operating Voltage, maximum (vrms) | 500.00 V          |
| dc Test Voltage                      | 1000 V            |
| Outer Contact Resistance, maximum    | 2.50 mOhm         |
| Inner Contact Resistance, maximum    | 3.00 mOhm         |
| Insulation Resistance, minimum       | 5000 MOhm         |
| Average Power                        | 260.0 W @ 900 MHz |
| Peak Power, maximum                  | 5.00 kW           |
| Insertion Loss, typical              | 0.05 dB           |

24OPSM-C-CR

## Outline Drawing



## Mechanical Specifications

|                                     |                       |
|-------------------------------------|-----------------------|
| Outer Contact Plating               | Trimetal              |
| Inner Contact Plating               | Gold                  |
| Outer Contact Attachment Method     | Crimp                 |
| Inner Contact Attachment Method     | Captivated            |
| Interface Durability                | 500 cycles            |
| Interface Durability Method         | IEC 61169-15:9.5      |
| Connector Retention Tensile Force   | 134 N   30 lbf        |
| Connector Retention Torque          | 0.23 N-m   0.17 ft lb |
| Insertion Force                     | 22.00 N   4.95 lbf    |
| Insertion Force Method              | IEC 61169-15:9.3.5    |
| Pressurizable                       | No                    |
| Coupling Nut Proof Torque           | 1.70 N-m   1.25 ft lb |
| Coupling Nut Proof Torque Method    | IEC 61169-15:9.3.6    |
| Coupling Nut Retention Force        | 180.00 N   40.47 lbf  |
| Coupling Nut Retention Force Method | IEC 61169-15:9.3.11   |

## Dimensions

|              |                    |
|--------------|--------------------|
| Nominal Size | 0.240 in           |
| Diameter     | 14.00 mm   0.55 in |
| Length       | 9.10 mm   0.36 in  |
| Weight       | 10.01 g   0.02 lb  |
| Width        | 9.10 mm   0.36 in  |

## Environmental Specifications

|                       |                                      |
|-----------------------|--------------------------------------|
| Operating Temperature | -40 °C to +85 °C (-40 °F to +185 °F) |
|-----------------------|--------------------------------------|

24OPSM-C-CR

|                                    |                                       |
|------------------------------------|---------------------------------------|
| Storage Temperature                | -65 °C to +125 °C (-85 °F to +257 °F) |
| Water Jetting Test Mating          | Mated                                 |
| Water Jetting Test Method          | IEC 60529:2001, IP65                  |
| Mechanical Shock Test Method       | IEC 60068-2-27                        |
| Climatic Sequence Test Method      | IEC 60068-1                           |
| Damp Heat Steady State Test Method | IEC 60068-2-3                         |
| Thermal Shock Test Method          | IEC 60068-2-14                        |
| Vibration Test Method              | IEC 60068-2-6                         |
| Corrosion Test Method              | IEC 60068-2-11                        |

## Standard Conditions

|  |                 |
|--|-----------------|
| Attenuation, Ambient Temperature           | 20 °C   68 °F   |
| Average Power, Ambient Temperature         | 40 °C   104 °F  |
| Average Power, Inner Conductor Temperature | 100 °C   212 °F |

## Return Loss/VSWR

| Frequency Band | VSWR | Return Loss (dB) |
|----------------|------|------------------|
| 0–3000 MHz     | 1.04 | 35.00            |
| 3000–6000 MHz  | 1.07 | 30.00            |

## Regulatory Compliance/Certifications

| Agency                     | Classification   |
|----------------------------|--|
| RoHS 2011/65/EU            | Compliant by Exemption   |
| China RoHS SJ/T 11364-2006 | Above Maximum Concentration Value (MCV)  |
| ISO 9001:2008              | Designed, manufactured and/or distributed under this quality management system |



## \* Footnotes

Insertion Loss, typical 0.05v<sup>-</sup>freq (GHz) (not applicable for elliptical waveguide)