



# PCB Mount Filters FP Series (plastic case)

## General purpose PCB mount

- Personal computers and peripherals
- Digital equipments
- Measuring instruments and medical equipments
- Low power SMPS
- Consumer electronics

## Filter Range

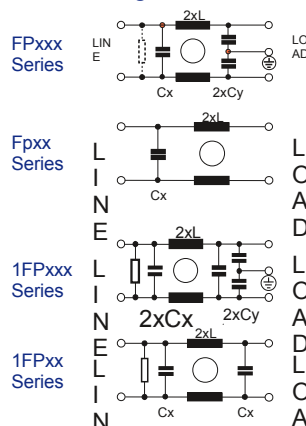
| Model               | U (V)  | I (A) | Cx(nF) | Cy(nF) | L(mH) |     |     |     |     |
|---------------------|--------|-------|--------|--------|-------|-----|-----|-----|-----|
| FP218-1             | 250VAC | 0,5   | 33     | 2,5    | 10    |     |     |     |     |
| FP28-1              |        |       |        | 10     |       |     |     |     |     |
| FP214-2             |        |       |        | 2,5    | 2,5   |     |     |     |     |
| FP24-2              |        |       |        | 2,5    |       |     |     |     |     |
| FP212-6             |        |       |        | 2,5    |       |     |     |     |     |
| FP22-6              |        |       |        | 2,5    |       |     |     |     |     |
| FP105-0             | 250VAC | 0,5   | 100    | 10     | 2,5   |     |     |     |     |
| FP315-0             |        |       |        | 47     |       |     |     |     |     |
| FP415-0, 1FP415-0R  |        |       |        | 100    |       |     |     |     |     |
| FP615-0R, 1FP615-0R |        |       |        | 220    |       |     |     |     |     |
| FP104-1             |        |       |        | 10     |       |     |     |     |     |
| FP314-1             |        |       |        | 47     |       |     |     |     |     |
| FP414-1, 1FP414-1R  | 250VAC | 0,5   | 100    | 2,5    | 0,5   |     |     |     |     |
| FP614-1R, 1FP614-1R |        |       |        | 220    |       |     |     |     |     |
| FP102-2             |        |       |        | 10     |       |     |     |     |     |
| FP312-2             |        |       |        | 47     |       |     |     |     |     |
| FP412-2, 1FP412-2R  |        |       |        | 100    |       |     |     |     |     |
| FP612-2R, 1FP612-2R |        |       |        | 220    |       |     |     |     |     |
| FP101-4             | 250VAC | 0,5   | 100    | 10     | 0,5   |     |     |     |     |
| FP311-4             |        |       |        | 47     |       |     |     |     |     |
| FP411-4, 1FP411-4R  |        |       |        | 100    |       |     |     |     |     |
| FP611-4R, 1FP611-4R |        |       |        | 220    |       |     |     |     |     |
| 1FP45-0R            |        |       |        | 250VAC |       | 0,5 | 100 | 2,5 | 0,5 |
| 1FP65-0R            |        |       |        |        |       |     |     |     |     |
| 1FP44-1R            | 100    |       |        |        |       |     |     |     |     |
| 1FP64-1R            | 220    |       |        |        |       |     |     |     |     |
| 1FP42-2R            | 100    |       |        |        |       |     |     |     |     |
| 1FP62-2R            | 220    |       |        |        |       |     |     |     |     |
| 1FP41-4R            | 250VAC | 0,5   | 100    | 2,5    | 0,5   |     |     |     |     |
| 1FP61-4R            |        |       |        |        |       | 220 |     |     |     |



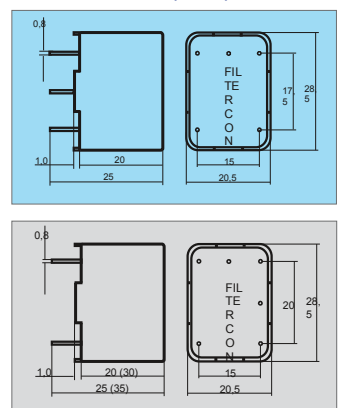
## Electrical Specifications

Rate Voltage: max 250V, 50/60Hz  
 Rated current: referred to room temperature = 40 C  
 Leakage current at 220V, 50Hz max 0,5 mA  
 Voltage test (2 sec): line to ground (\*3000) VDC  
 line to line 1075 (\*1700) VDC  
 Climatic category: HPF (25/085/21)  
 temperature range: -25 C to +85 C  
 Bleeder Resistor (1M) is available only for Cx >100nF  
 Plastic case sealed with silicone

## Circuit Diagram

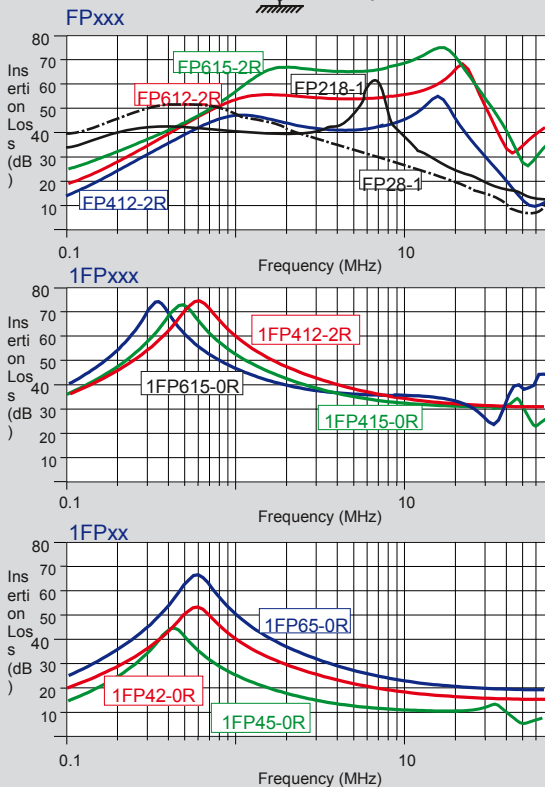
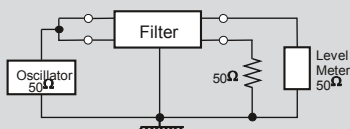


## Dimensions (mm)



## Insertion loss (typical)

### Asymmetrical (line to ground)



### Symmetrical (line to line)

