

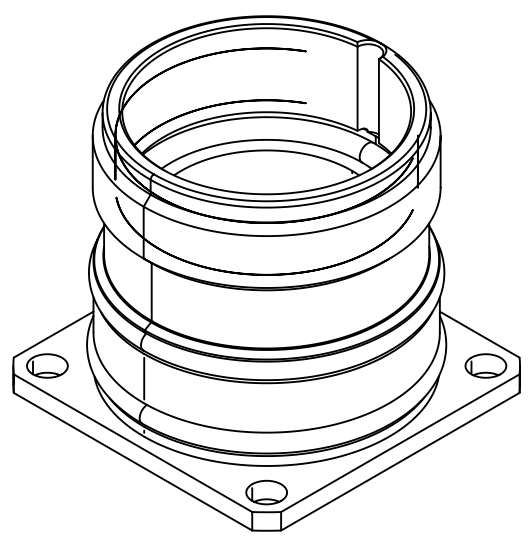
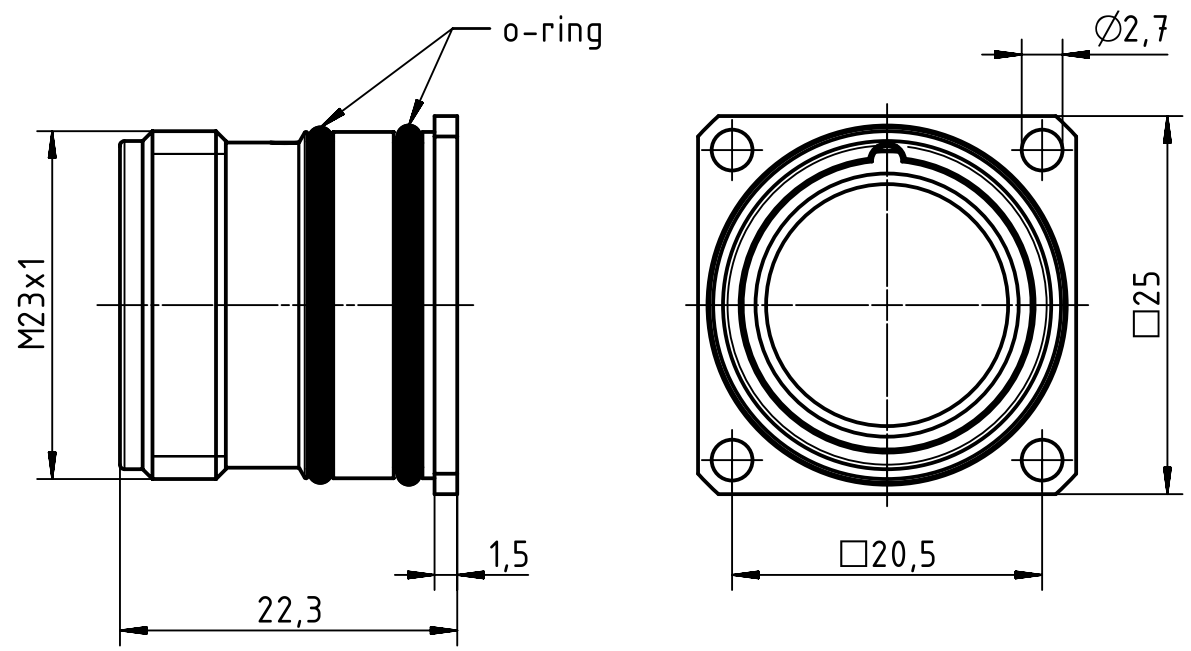
1 2 3 4 5 6


A

B

C

D



	All Dimensions in mm Original Size DIN A4		Scale 2:1	Free size tol.		Ref.		
	All rights reserved Department EL PD - DE		Created by QUADE	Inspected by SCHNIEDER	Standardisation RUETERA	Date 2015-07-20	State Final Release	
HARTING Electric GmbH & Co. KG D-32339 Espelkamp			Title Han R23 Bulkhead mounted back				Doc-Key / ECM-Nr. 100630754/UGD/001/A 500000092005	
			Type TB	Number 09 15 200 0313			Rev. A	Page 1/1