

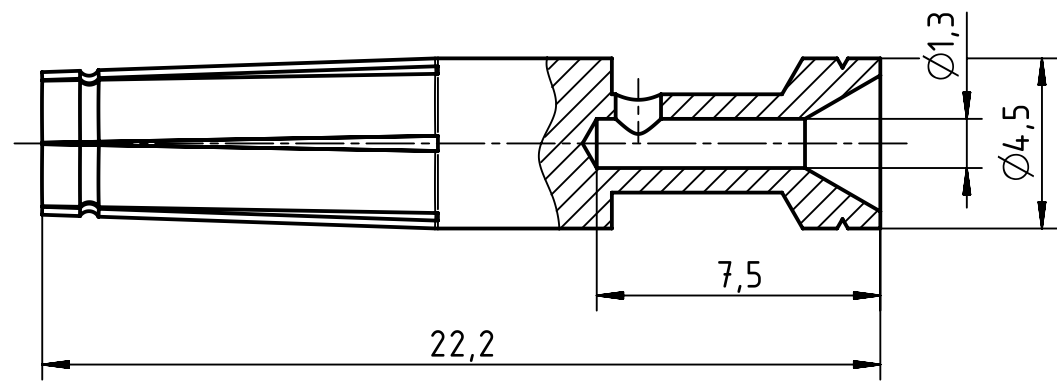
1 2 3 4 5 6

A

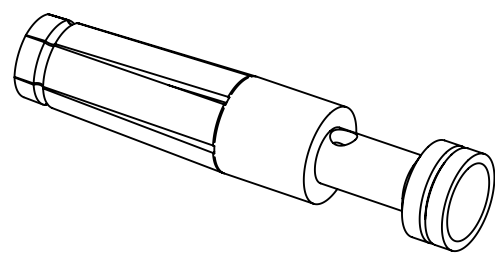
B

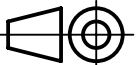

C

D



wire gauge: 0.75mm² / AWG 18
 stripping length: 7.5mm
 coating: silver plated



| | | | | | |
|--|--------------------------------------|----------------|-----------------|------------|--|
|  All Dimensions in mm Original Size DIN A4 | Scale | Free size tol. | | | Ref. |
| | 5:1 | | | | Sub. |
|  All rights reserved Department EL PD - DE | Created by | Inspected by | Standardisation | Date | State |
| | HOLLERT | SPILKERN | TIEMANNA | 2013-11-05 | Final Release |
| HARTING Electric GmbH & Co. KG D-32339 Espelkamp | Title Han High Temp E female contact | | | | Doc-Key / ECM-Nr. 100528016/UGD/002/A 500000067351 |
| | Type | Number | | | Rev. |
| TB | 09 33 800 6214 | | | A | 1/1 |