

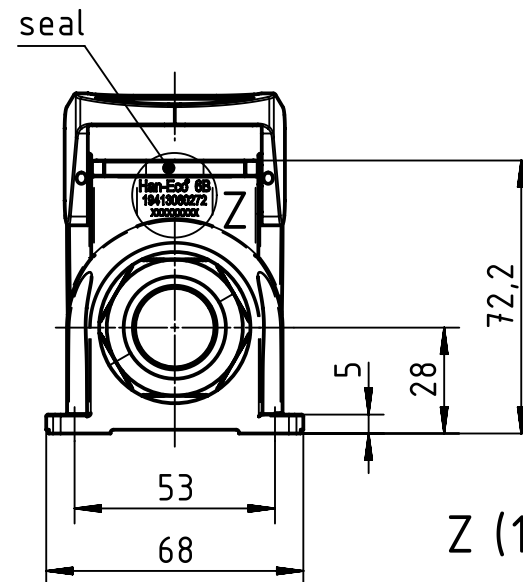
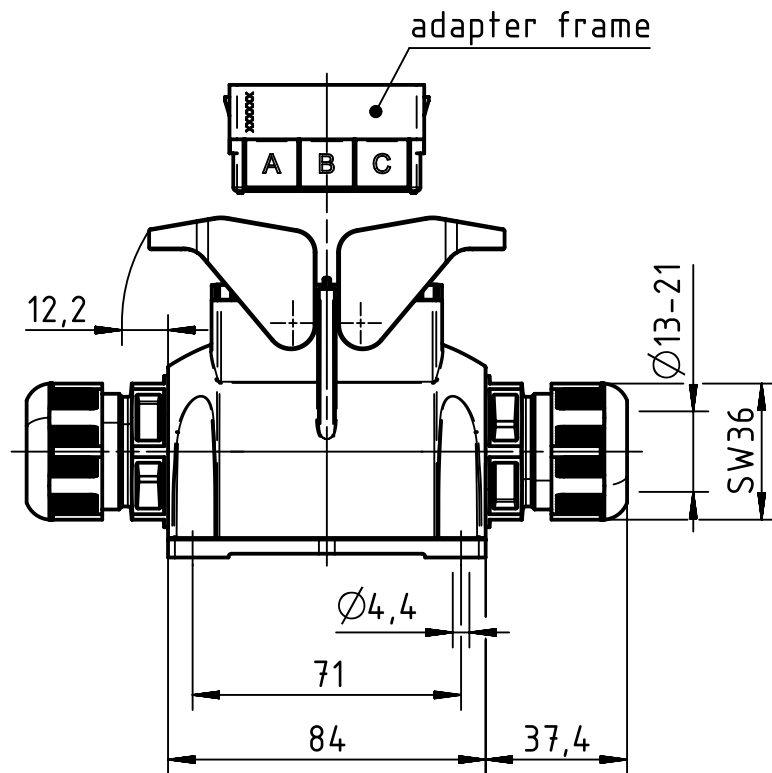
1 2 3 4 5 6

A

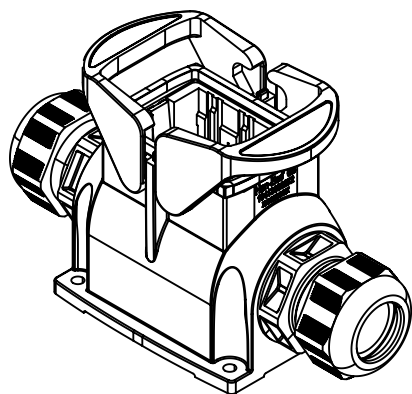
B

C

D



Z (1:1)



adapter frame and cable glands are enclosed

	All Dimensions in mm Original Size DIN A4	Scale 1:2		Free size tol.		Ref.	
						Sub.	
	All rights reserved Department EL PD - DE	Created by DICK	Inspected by HERBRECHTSME	Standardisation TIEMANNA	Date 2016-02-29	State Final Release	
		Title Han-Eco 06B asg2 M32 outdoor w. gland					Doc-Key / ECM-Nr. 100222554/UGD/006/E 500000096768
HARTING Electric GmbH & Co. KG D-32339 Espelkamp		Type TB	Number 19 41 306 0272			Rev. E	Page 1/1